



---

**Turbine Drive Water-Reels®  
Engine Drive Slurry-Reels**

---

T41 / T45  
(ST8)

# Parts Manual

Serial No. 400,000 +



**AG-RAIN®**

700 S. Schrader Ave.  
Havana, Illinois 62644  
Phone: 309-543-4425  
Fax: 309-543-4945

# ST8

**CATALOGO PARTE RICAMBIO  
SPARE PART LIST  
CATALOGUE DE PIECE DETACHEES**

**Type:** - Turbine 25/130

**Gearbox:** - B47-170

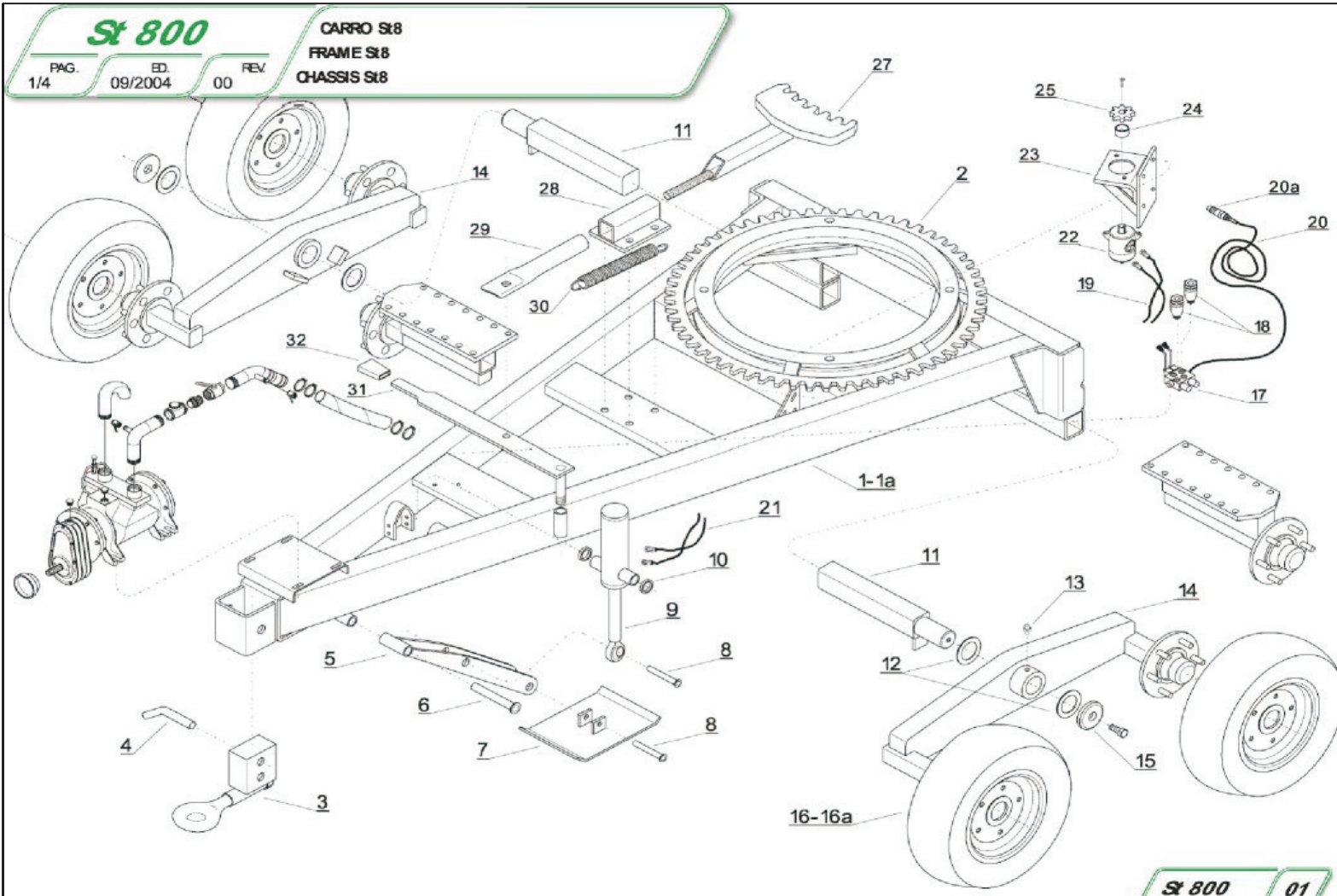
**Optional:**

- Dosidis
- Easydis
- Hydraulic
- Alternator
- Double supply pipe
- Mechanic VAS
- Hydraulic VAS - VAD
- Hydraulic trolley lifting device
- Hydraulic trolley



09/2004





ITEM	P/N	DESCRIPTION	QTY.
1	C01011	Frame St8 (4 wheels)	1
1a	C01012	Frame St8 (2 wheels)	1
2	C10006	Fifth wheel	1
3	D20007	Draw bar hook	1
4	5	Pin	1
5	02208710	Jack lever	1
6	02205200	Pin Ø30×225	1
7	02208740	Jack base	1
8	02208730	Pin Ø25×115	2
9	02208700	Cylinder Ø80	1
10	02213240	Spacer for jack	2
11	G14040Y1	Balance wheel shaft	2
12	g18023	Bronze washer	4
13	1508	Greaser Ø8 P1,25	2
14	D22006	Balance wheel	2
15	G37004	Balance wheel special washer	2
16	02213430	Wheel 11.5/80 - 15.3/12PR for St8 4 wheels	2-4
16a	4086	Wheel 400/60 - 15.5 for St8 2 wheels	
17	5704	Two sections directional control valves	1
18	02212870	Flow control valve 1/4" F.F.	2
19	02208910	Hose R1T →×— 1,8 mt. (rotation)	2
20	02208920	Hose R1T →×— 3,7 mt. (pression)	1
20a	02210390	Quick coupling male ½"	1
21	02212800	Hose R1T →×— 0,7 mt. (jack)	2
22	02208750	Idraulic motor	1
23	02208780	Idraulic motor support	1
24		Spacer	1
25	002549/D	Oxycut pig non Ø25	1
27	G35033	Rotation stop rack	1
28	G40008	Rotation stop rack drive	1
29	G11088	Rotation stop prop	1
30	02203180	Rotation stop spring	1
31	G11089	Rotation stop lever	1
32	02211250	Hand grip mod.1010	1
33		2 wheel support frame	2

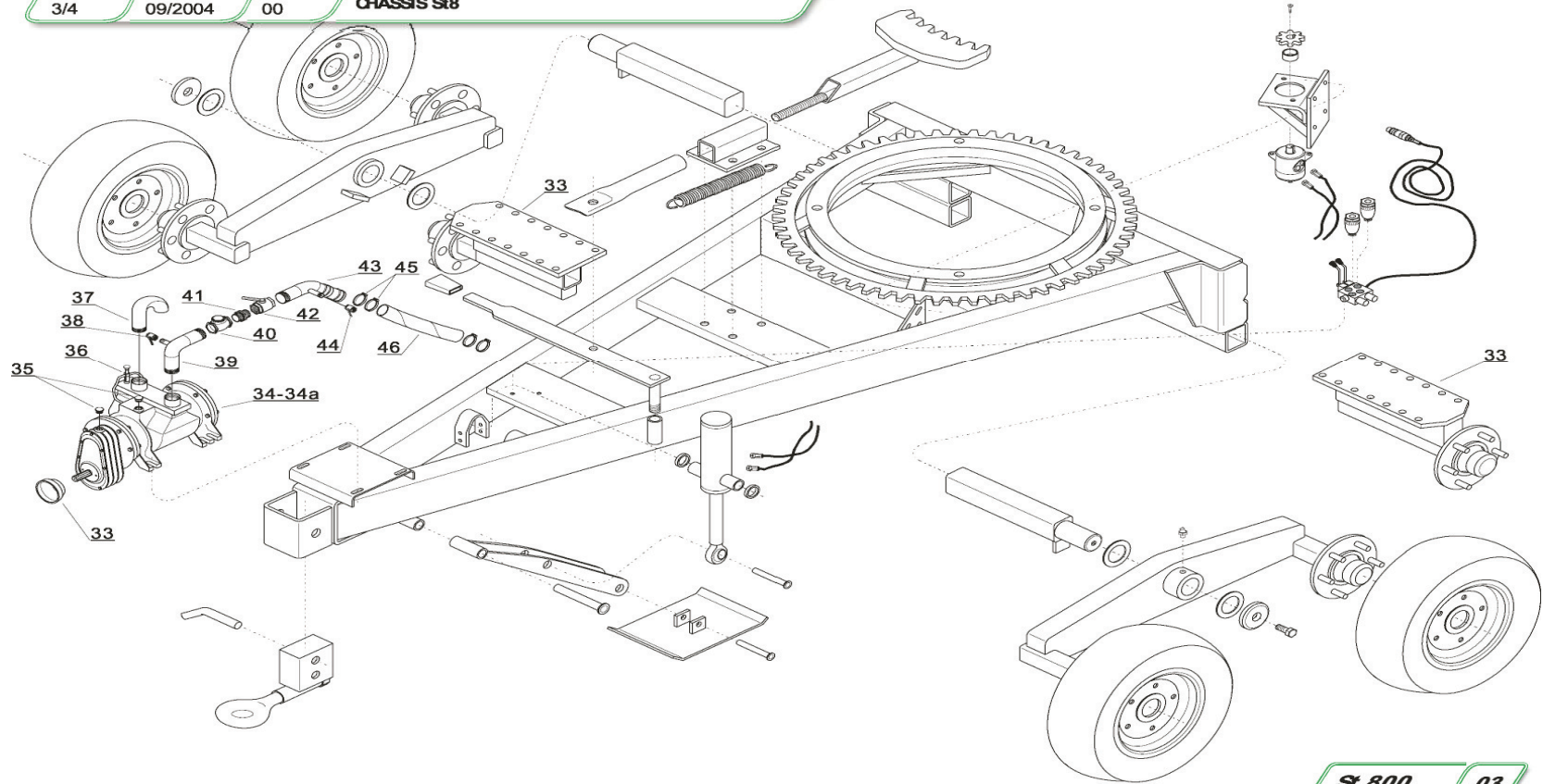
**St 800**

CARRO SI8  
FRAME SI8  
CHASSIS SI8

PAG.  
3/4

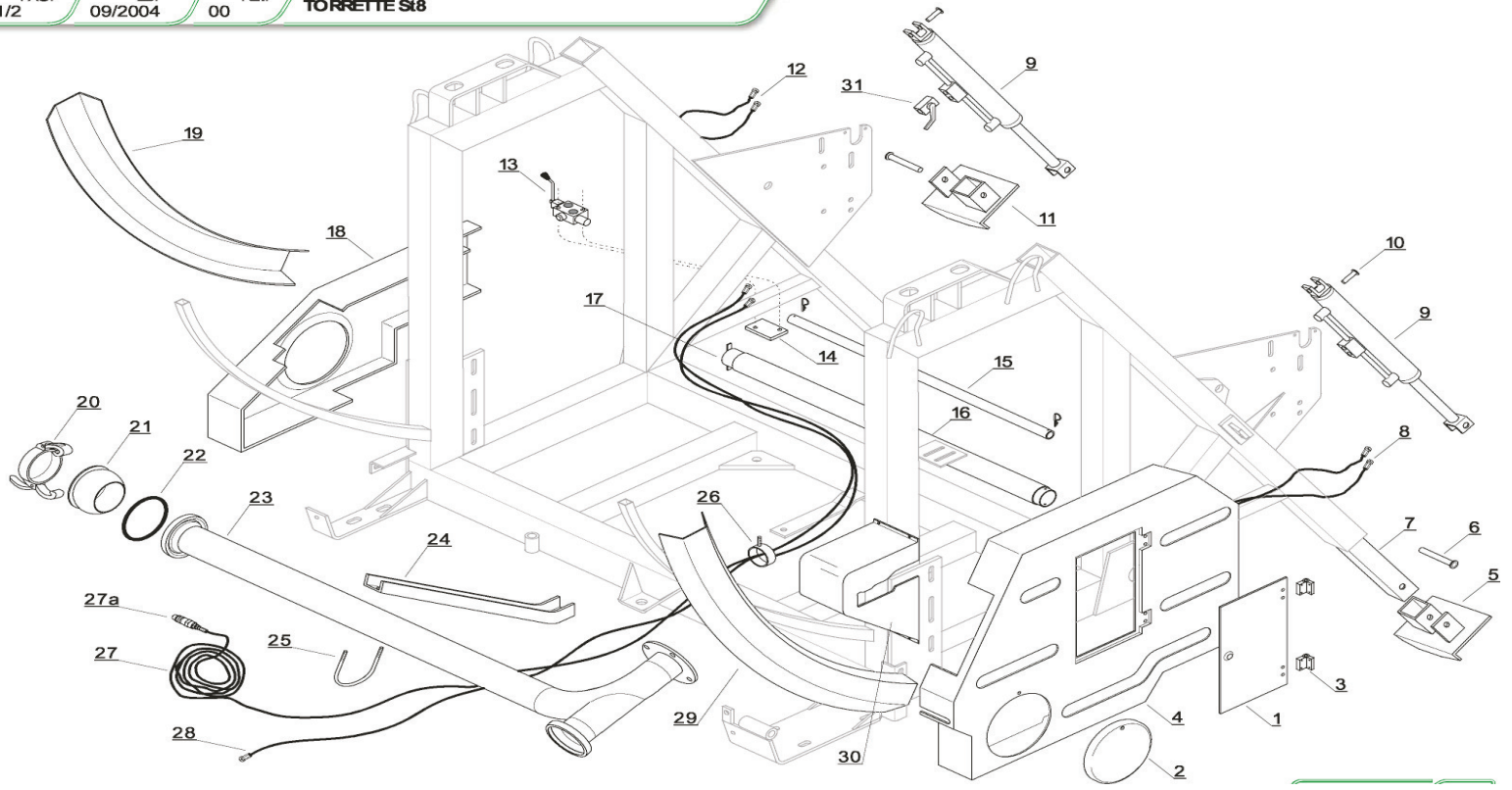
ED.  
09/2004

REV.  
00



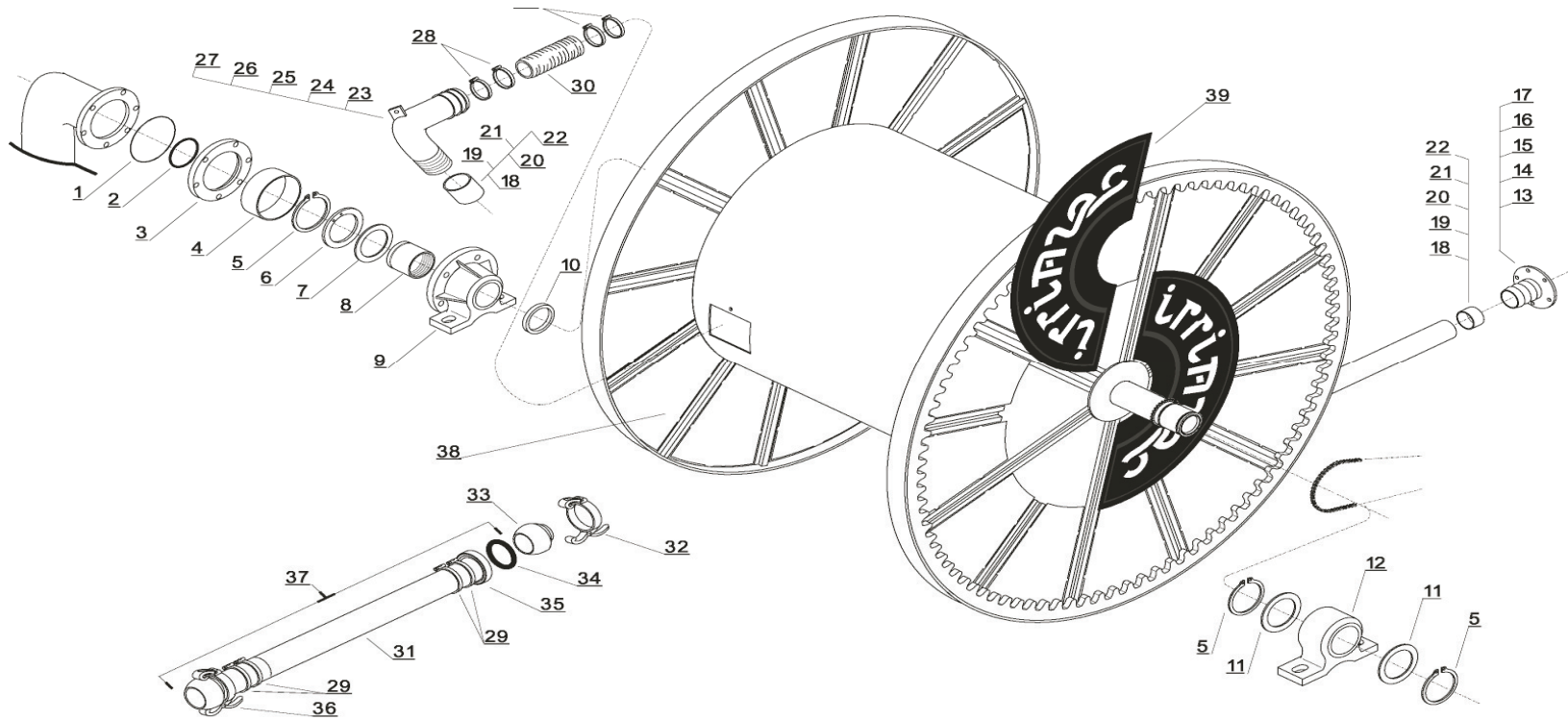
**St 800** 03

ITEM	P/N	DECRPTION	QTY.
33	02214170	Carter PTO decompressor	1
34	3369	Decompressor 8000	1
34a	5951	Decompressor 10000	1
35		Plug	2
36	02214160	Oilcan	1
37	02214220	Suction elbow	1
38	73	Water tap 3/4" F.F.	1
39	02214180	Pression elbow	1
40	02214190	Stop valve 2"	1
41	4541	Nipples 2"	1
42	02214200	Water tap 2"	1
43	5502	End junction decompressor	1
44	4630	Water tap 3/8"	1
45	6734	Clip 63-68	4
46	02001068	Hose 60x69 10AT	
47		2 wheel support frame	2

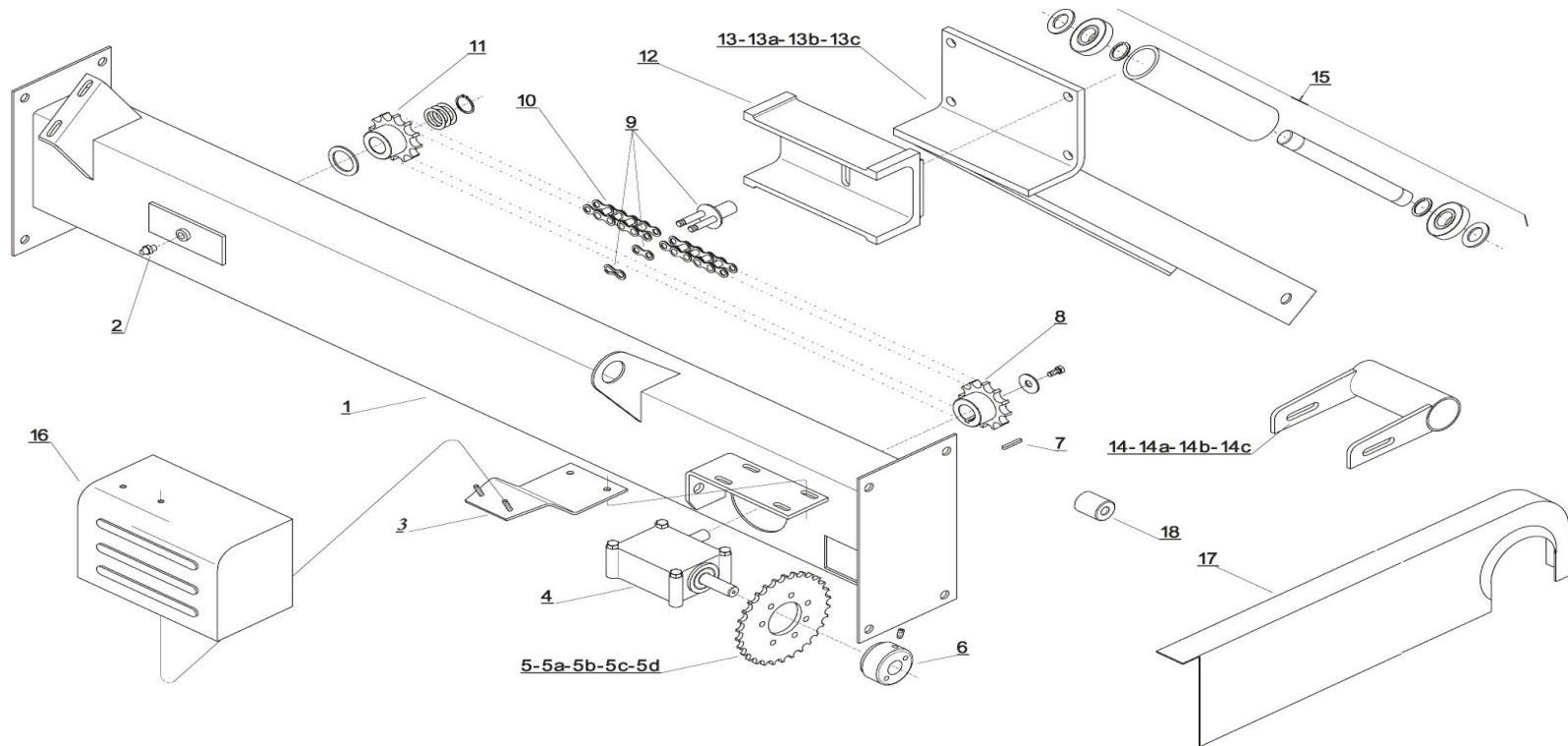


ITEM	P/N	DECRPTION	QTY.
1	G34096	Mechanism carter door TS	1
2	5944	PTO carter	1
3	6019	Hinge door	2
4	G34120	Mechanism carter TS	1
5	G26063	Feet T.S.	1
6	G24009	Pin Ø25 L.190 Feet - Cylinder - Leg	2
7	G25093	Leg	2
8	02212801	Rubber hose R1T elbow × straight 3,0 mt.	2
9	02212240	Cylinder Ø60	2
10	02208930	Pin Ø25 L.55	2
11	G26062	Feet C.S.	1
12	02212800	Rubber hose R1T elbow × straight 0,7 mt.	2
13	6218	One sections directional control valves	1
14	G15176	Distributor fix plate	1
15	G32080	Hose guide fork 1"	1
16		Roller PET Ø75	1
17	G32081	Tube Ø2"	1
18	G34119	Mechanism carter CS	1
19	02214771	Rack carter CS	1
20	58800241	Connecting ring BAUER 5"	1
21	7BAT500M	Plug 5"	1
22	58800243	Gasket 5"	2
23	D12016	Double supply pipe 5"	1
24	G19157	Double supply pipe support	1
25	02218770	U-bolt M8 3"1/2	2
26	02209000	Rubber hose support	1
27	02208950	Rubber hose R1T elbow × straight 8,0 mt.	1
28	02208914	Rubber hose R1T elbow × elbow 4,3 mt.	1
29	02214771	Rack carter TS	1
30	02214500	Belt carter	1

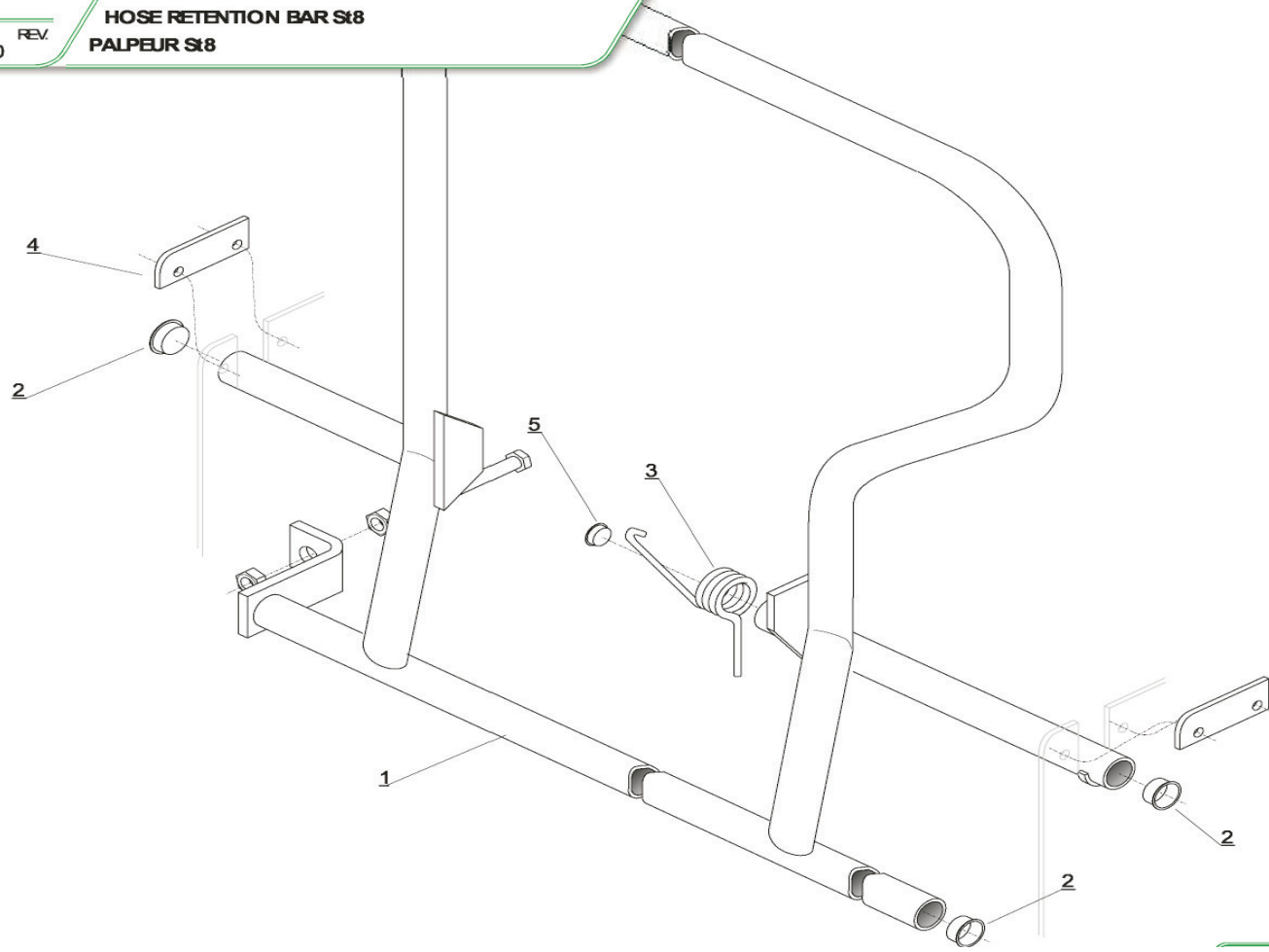




ITEM	P/N	DECRPTION	QTY.
1	02204861	O-ring 4600	1
2	02208420	O-ring 110×7	1
3	02214460	Flange	1
4	02207541	Spacer	1
5	02099061	Seeger E110	3
6	02200090	Ring slip joint 144×110	1
7	02200100	Antifriction ring 144×110	1
8	4079	Ring nut, slip joint	1
9	02200130	BEARING,FLANGED FF1 (AG6-7)	1
10	02204871	Spacer	1
11	02217930	Spacer w:3	2
12	02200150	Hose drum support Ø110	1
13	02218823	Flanged end hose Ø100	1
14	02218824	Flanged end hose Ø110	1
15	02003111	Flanged end hose Ø120	1
16	005735/125	Flanged end hose Ø125	1
17	02003112	Flanged end hose Ø135	1
18	02099114	Ø100 hose ring	2
19	02099115	Ø110 hose ring	2
20	02003833	Ø120 hose ring	2
21	02214280	Ø125 hose ring	2
22	02208430	Ø135 hose ring	2
23	02213860	Ø100 elbow	1
24	02213861	Ø110 elbow	1
25	02213862	Ø120 elbow	1
26	005814/1 25	Ø125 elbow	1
27	005814/135	Ø135 elbow	1
28	6722	Clip 108×120	8
29	06712/B	Clip 131×140	4
30	02099125	Hose 100×118 10AT	-
31	02003831	Hose 120×138 10AT	4mt.
32	58800241	Connecting ring BAUER 5"	1
33	7BAS500M	Pipe fitting BAUER 5"	1
34	58800243	Gasket bauer 5"	1
35	7BAS500FC1 22	BAUER 5" F. Pipe fitting BAUER 5" F.	1
36	7BAS500MC1 22	Pipe fitting BAUER 5" M.	1
37	16.TA.120	Supply hose 120×138 B.5"	1
38	G34081	Hose drum broadside	32
39	G34079	Hose drum carter in ABS	4



ITEM	P/N	DECRPTION	QTY.
1	D21006	Hoseguide frame	1
2	1508	Greaser dia.8 P1,25	1
3	02210930	Carter support	1
4	02000154	Bevel gear COMER	1
5	02299157	Chain wheel 1/2" Z40 × hose Ø100	1
5a	02203863	Chain wheel 1/2" Z36 × hose Ø110	1
5b	02004610	Chain wheel 1/2" Z33 × hose Ø120	1
5c	02203861	Chain wheel 1/2" Z39 × hose Ø125	1
5d	954	Chain wheel 1/2" Z30 × hose Ø135	1
6	02000153	Conica Sprocket hub	1
7	02207880	Key 8×25	1
8	02209040	Sprocket Z10 P1"	1
9	02209051	Special hoseguide link	1
10	87548482	Chain 1" 111P (per foot)	1
11	D06002	Sprocket Z10 1" with bronze	1
12	02209080	Fork support	1
13	G33035	Fork for hose Ø100 - 110	1
13a	G33027	Fork for hose Ø120	1
13b	G33037	Fork for hose Ø125	1
13c	G33036	Fork for hose Ø135	1
14b	02218010	Fork guide for hose Ø100 - 110	1
14a	02218011	Fork guide for hose Ø120	1
14	G33050	Fork guide for hose Ø125	1
14c	G33051	Fork guide for hose Ø135	1
15	4534	Roller L.790	2
16	G34115	Plastic carter	1
17	02218863	Lateral carter	1
18	02211040	Chain tightener	1



ITEM	P/N	DESCRIPTION	QTY.
1	D04094	Hose retention bar body	1
2	02218021	Plug H400 C413	3
3	02200166	Spring Ø9	1
4	G 15141	Hose retention bar fix plate	2
5	02218020	Plug H400 C272	1

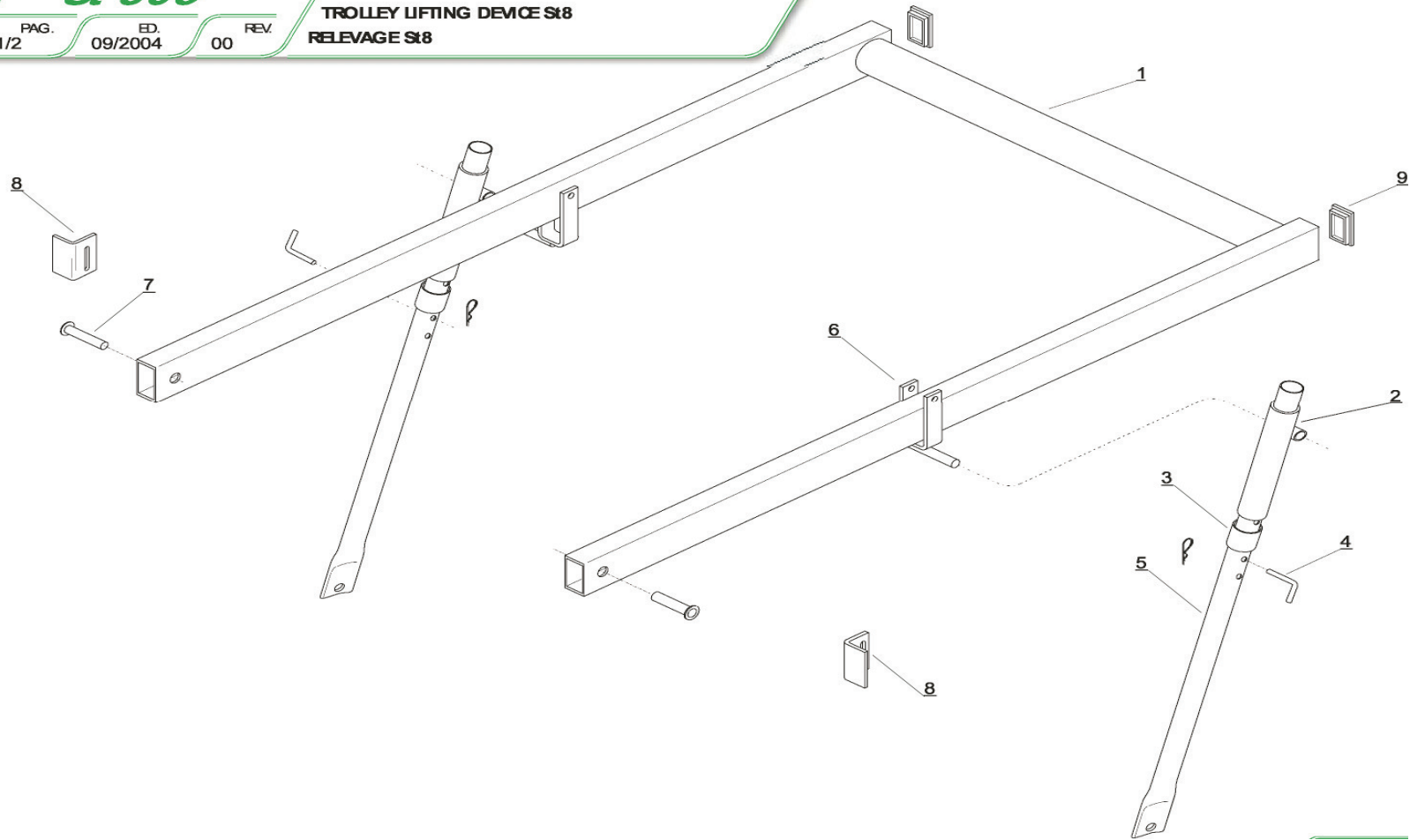
**St 805**

SOLLEVAMENTO St8  
TROLLEY LIFTING DEVICE St8  
RELEVAGE St8

PAG.  
1/2

ED.  
09/2004

REV.  
00



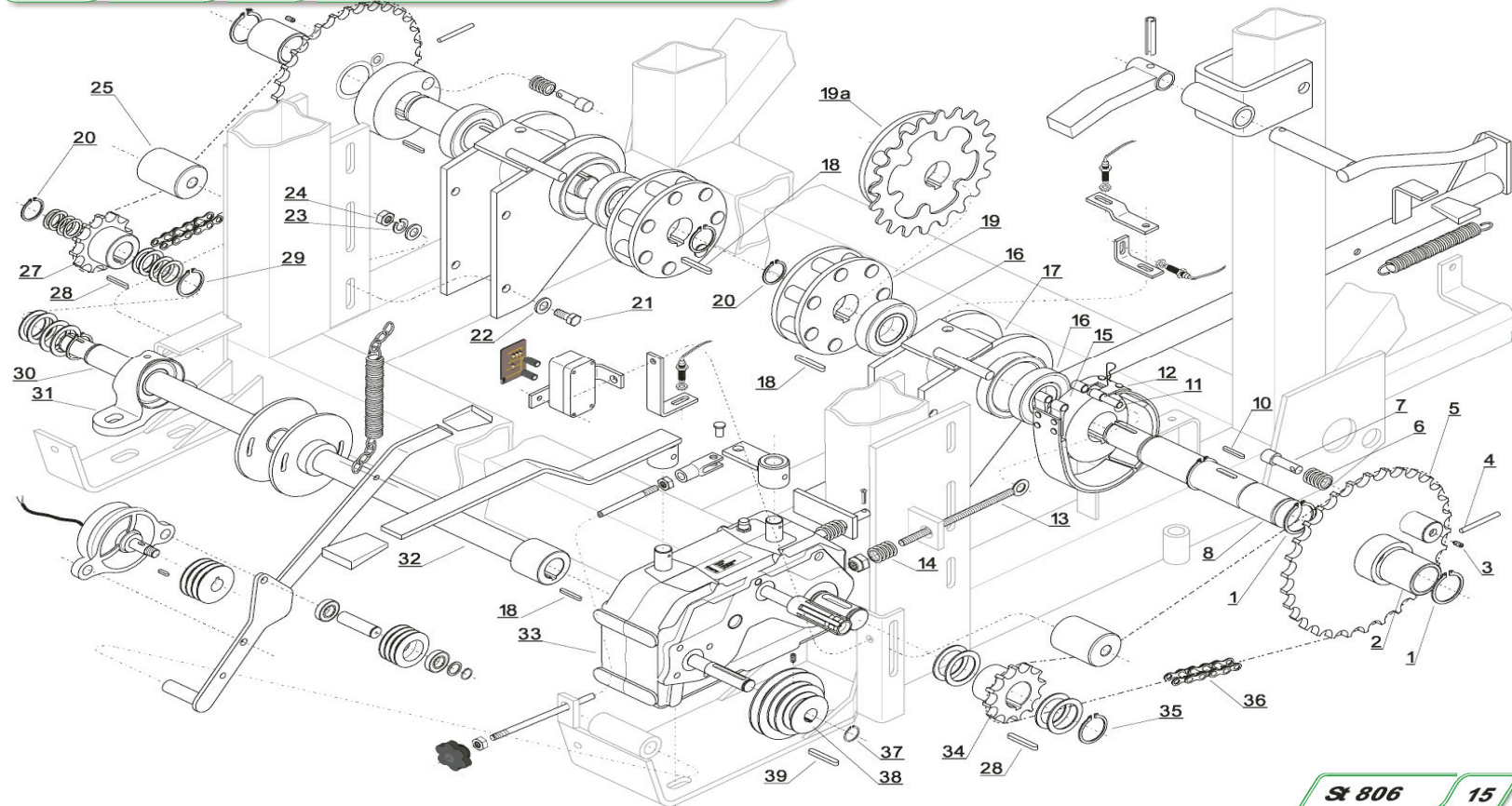
ITEM	P/N	DESCRIPTION	QTY.
1	D04095	Trolley lifting device body	1
2	02212160	Awl guide L.330	2
3		Spacer 1" 1/2 L.30	2
4	02212190	Pin	2
5	02212051	Awl, stop frame L:1500	2
6	02209230	Awl articulation fork	2
7	02099030	Lifting device shaft Ø20×110	2
8		Trolley lifting device stop	2
9	02218210	Plug 70×40	2



**St 806**

**MECCANISMO TURBINA St8**  
**TURBINE MECHANISM St8**  
**MECANISME TURBINE St8**

PAG. 1/4 ED. 09/2004 REV. 00

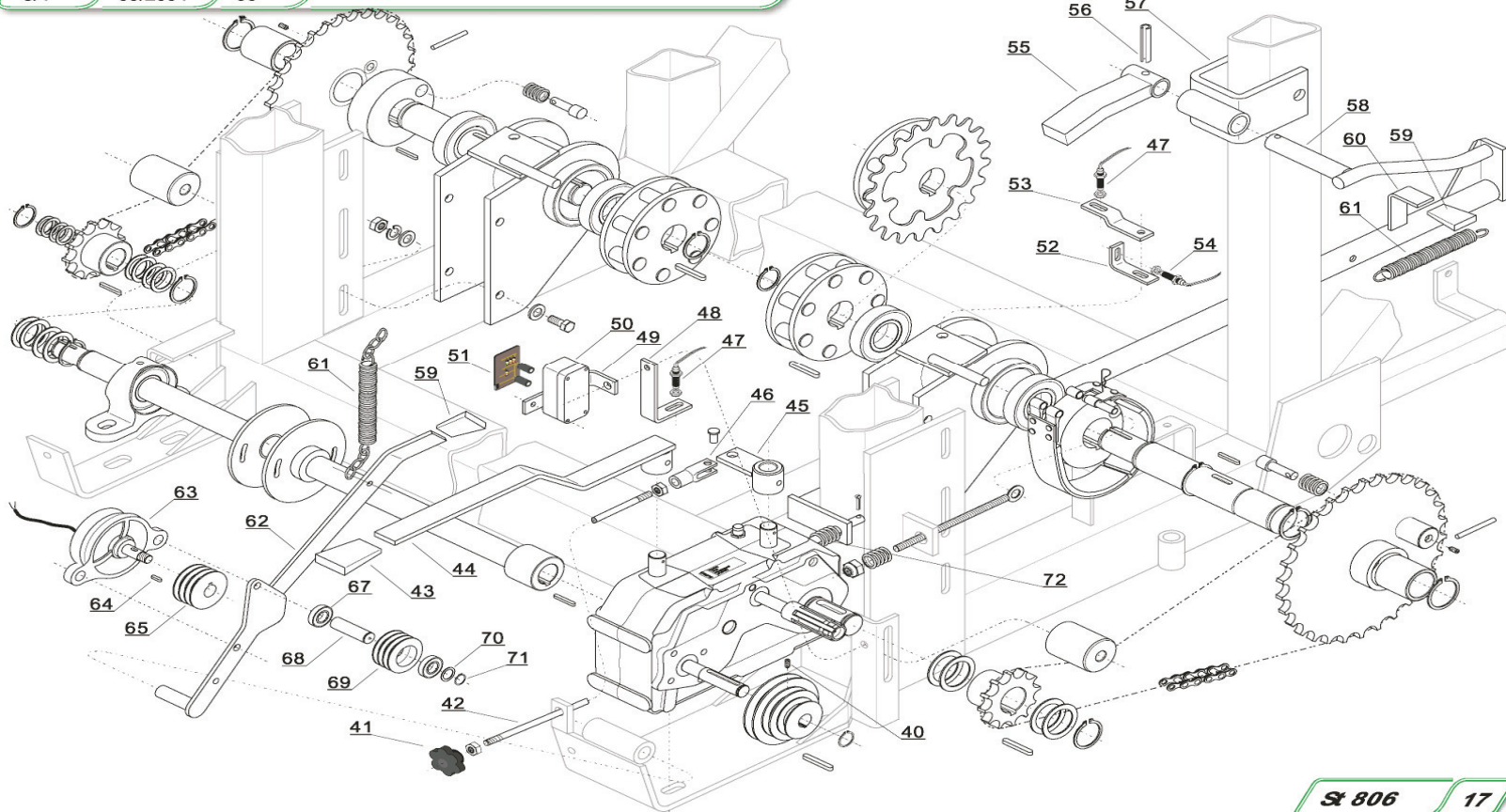


ITEM	P/N	DESCRIPTION	QTY.
1	02206190	Stop ring E40	8
2	G03019	Bronze ring 40×45 L.40	2
3	6137	Set screw m8	2
4	02203480	Pin Ø8	2
5	D14004	Chain wheel Z50 3/4"	2
6	02216310	Spring Ø1,6	2
7	02203490	Pin Ø8	2
8	G01015	Mechanism shaft Ø40-Ø35	2
10	5878	Key 12×20×8	2
11	02214410	Brake pin	1
12	02214350	Stripe brake 3041/301	1
13	02214380	Brake rod	1
14	02216400	Spring C98	1
15	02207610	Brake drum	2
16	02204620	Bearing 6208 2RS	4
17	G20038	Mechanism support	1
18	615	Key 10×40	3
19	02211162	Pinion Z7 M16	2
19a		Pinion Z7 M16 for Easydis	1
20	02205340	Stop ring E35	3
21	7000271004599	Screw M10×45 SBE 10.9	8
22	7050410	Washer M10 SBE10.9	16
23	7052210	Grower M10 SBE10.9	8
24	7025410	Nut M10 SBE10.9	8
25	G03006	Nylon bush chain tightener	2
27	G 16013	Pinion Z13 3/4"	2
28	02203510	Key 10×30	2
29	5209	Stop ring E45	2
30	D13009	Engage shaft C.S. Ø45-Ø35	2
31	5301	Articulation support UCP209	1
32	D13008	Engage shaft Ø45	1
33	D07010	Gearbox Bima B47-170	1
34	G 16013	Pinion Z13 3/4" Ø30	1
35	02201870	Stop ring E30	1
36	02001142	Chain 3/4" 87 p. (sold per foot)	ft. 5.44
37	02201680	Stop ring E20	1
38	4733	Gearbox pulley Ø 92-117-139	1
39	02205510	Key 6×50	1

**St 806**

MECANISMO TURBINA St8  
TURBINE MECHANISM St8  
MECANISME TURBINE St8

PAG. 3/4 ED. 09/2004 REV. 00



**St 806** 17

ITEM	P/N	DESCRIPTION	QTY.
40	02203201	Grub M5	1
41	02203910	Handwheel M10	1
42	G23015	Disengage rod M10	1
43	02216480	Hand grip mod.	1
44	G11076	Change speed lever	1
45	G11075	Disengage lever	1
46	02218450	Fork UNI 1676 M10×40	1
47	02218730	Sensor SI-12-NE4 Dosidis	2
48		End switch sensor support	1
49		Alternator box support	1
50	6048	Alternator card box	1
51	E02001	Alternator card	1
52		Pinion sensor support Easydis	1
53		Pinion sensor support Dosidis	1
54	6137	Easydis sensor	1
55	G35030	Antireverse Pawl	1
56	6336	Elastic thorn Ø10×55	1
57	G19158	Antireverse pawl support	1
58	G24019	Antireverse pawl shaft	1
59	02211250	Hand grip mod.1010	1
60	G11079	Disengage rod	1
61	02203180	Spring	2
62	G11092	Tightener lever	1
63	E02002	Alternator A20	1
64	02201760	Key 4×4×10	1
65	G39015	Alternator pulley Ø15	1
67	02203440	Tightener bearing 6005 2RS	2
68	02206530	Tightener pin Ø25 L.70	1
69	02206540	Tightener pulley	1
70	02207030	Spacer 35×25×1	-
71	02203420	Stop ring E25	1
72	02218390	Disengage spring	1

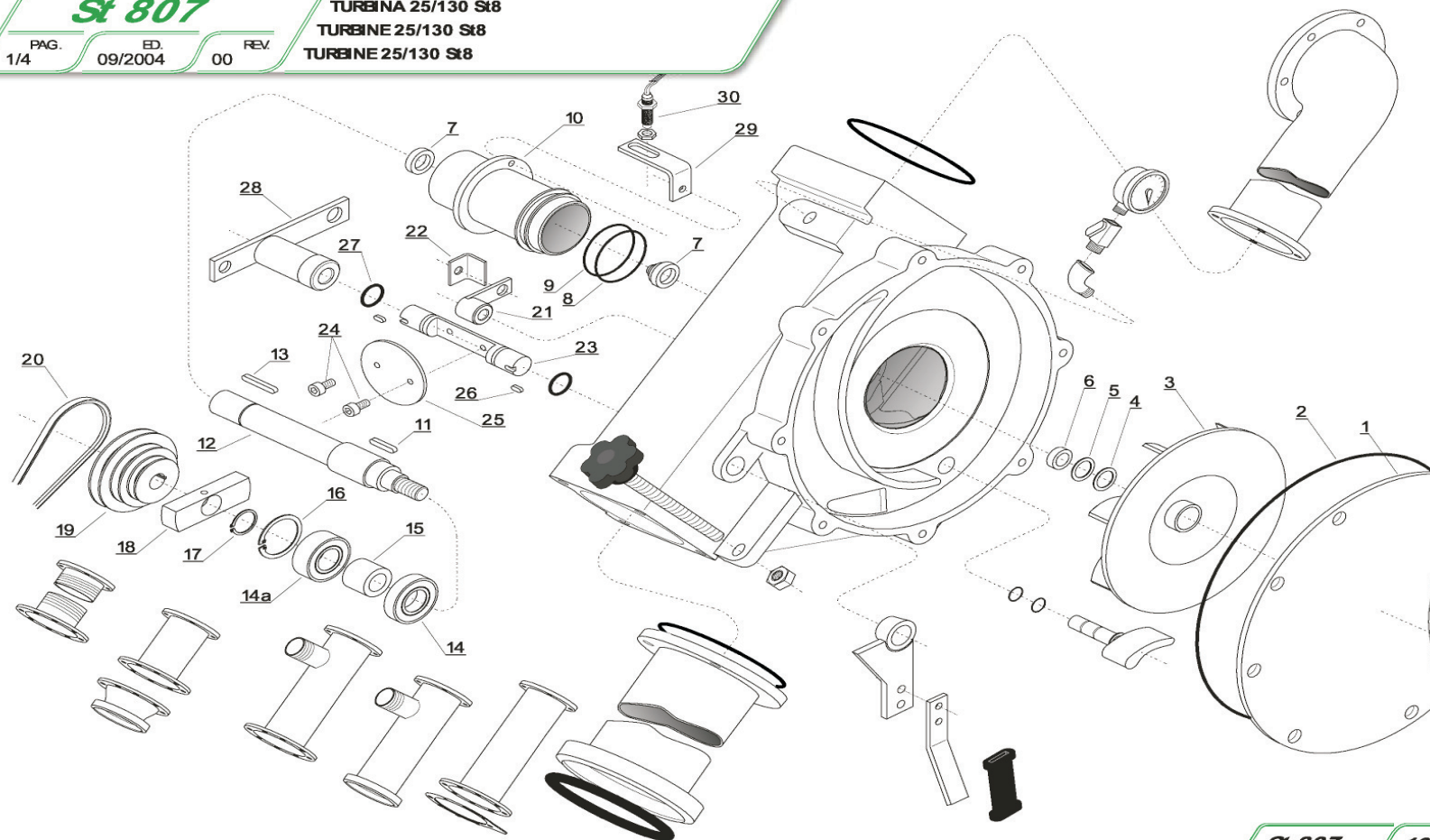
**St 807**

TURBINA 25/130 St8  
TURBINE 25/130 St8  
TURBINE 25/130 St8

PAG.  
1/4

ED.  
09/2004

REV.  
00



**St 807** 19

ITEM	P/N	DESCRIPTION	QTY.
1	02208340	Turbine cover Ø333×12	1
2	02205720	O-ring Ø1 285×3,53	1
3	02201993	Impeller th:22	1
3	002141/C	Impeller th: 7	1
3	002141/B	Impeller th: 13	1
4	02205430	Shim Ø16,2× 23,8 sp:0,25 millar	6
5	02203002	Spacer Ø25×16×15,5 for impeller	1
5	02203000	Spacer Ø13 th:7 for impeller	1
5	3054	Spacer Ø22 th: 15,5 for impeller	1
6	3720	Spacer Ø25E × 16l sp:1,8	-
6	02205440	Spacer 25×20×5	1
7	02205450	Seal 20 × 6	1
8	3273	O-ring 3225	1
9	02205461	O-ring 3237	1
10	02205480	Turbine hub	1
11	02203370	Key 5×5×10	1
12	02205500	Impeller shaft	1
13	02205510	Key 6 × 50	1
14	02211740	Bearing 6304 2RS	1
15	02211820	Spacer Ø E25 l. 20×45,4	1
1 4a	02201670	Bearing 6204 2RS NWG	1
16	02203240	Stop ring I47	1
17	02201680	Stop ring E20	1
18	02218890	Command plate sensor turbine	1
19	02205920	Pulley 45-67-92	1
20	02206630	Belt A 87	1
21	02206500	flap 10/50 25/120 Lever control	1
22	02217940	Flap stop	1
23	02205631	By-pass pin	1
24	02203050	Screw 6 × 16 inox	2
25	02205620	Disc, by-pass	1
26	02216430	Key 6×6×12	2
27	02205590	O-ring 120 15,54 × 2,62	2
28	02213770	By-pass lever	1
29	02218000	Sensor support	1
30	02213730	Sensor SI-12-NE4	1

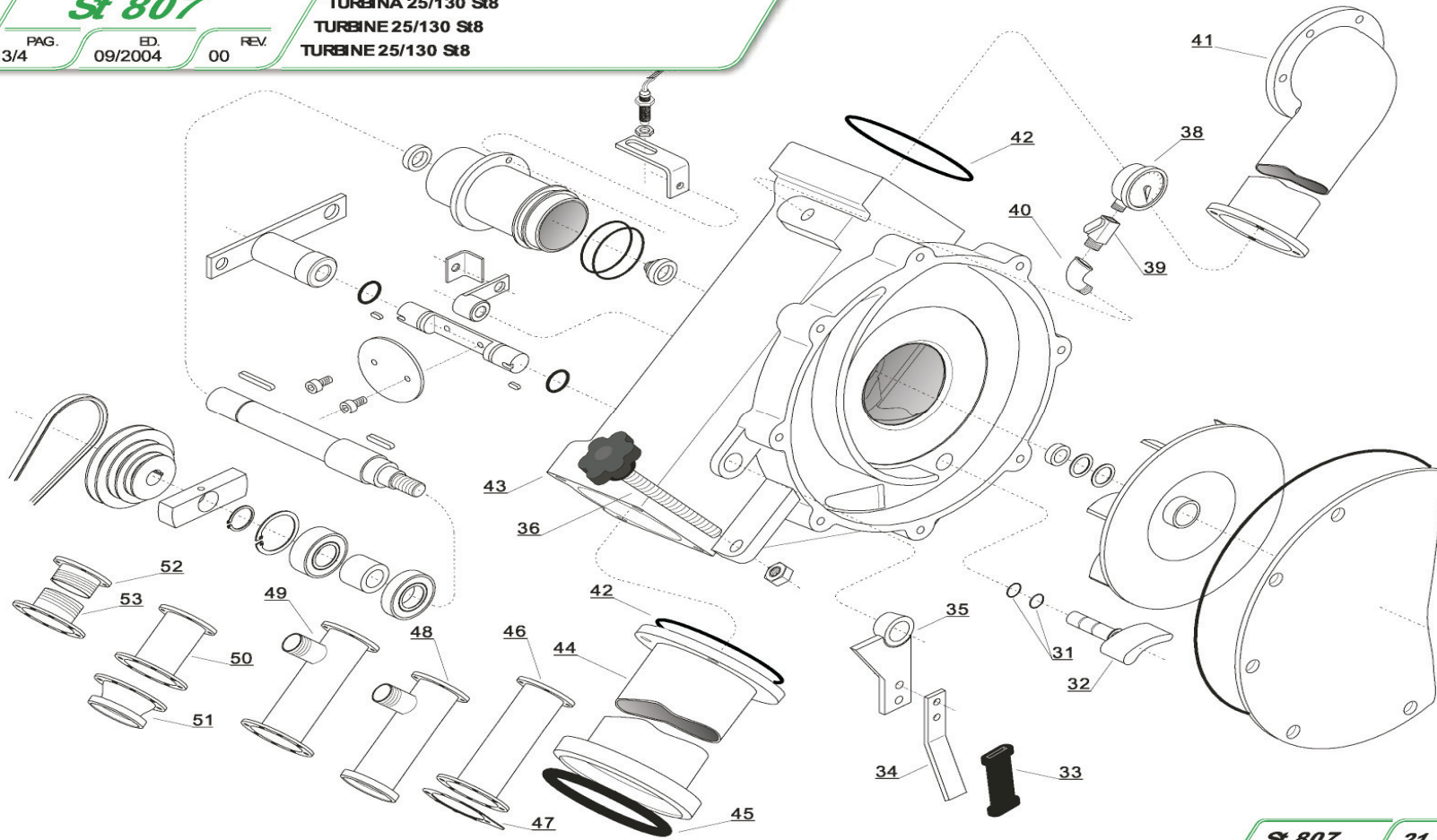
**St 807**

**TURBINA 25/130 St8**  
**TURBINE 25/130 St8**  
**TURBINE 25/130 St8**

PAG.  
3/4

ED.  
09/2004

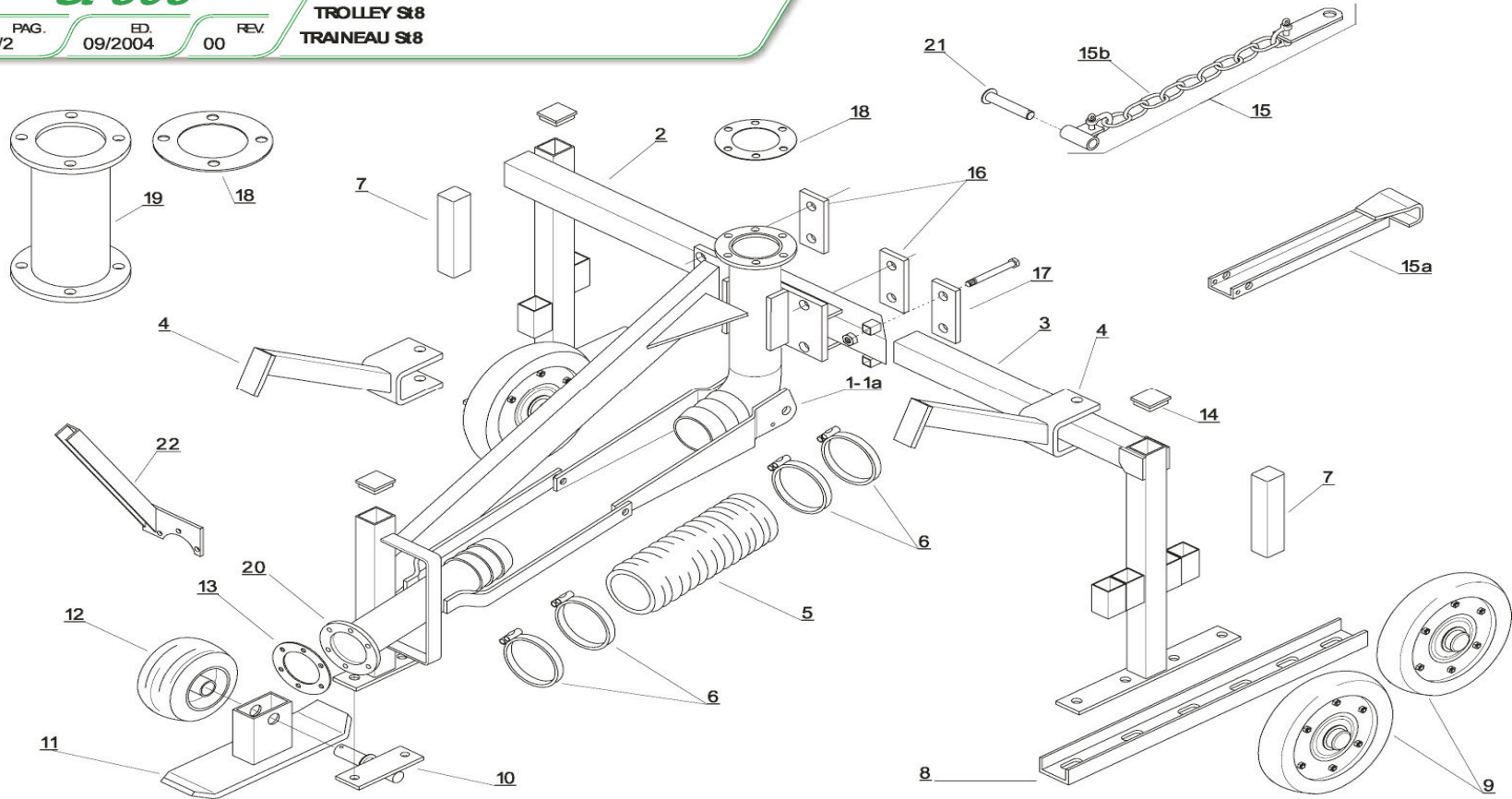
REV.  
00



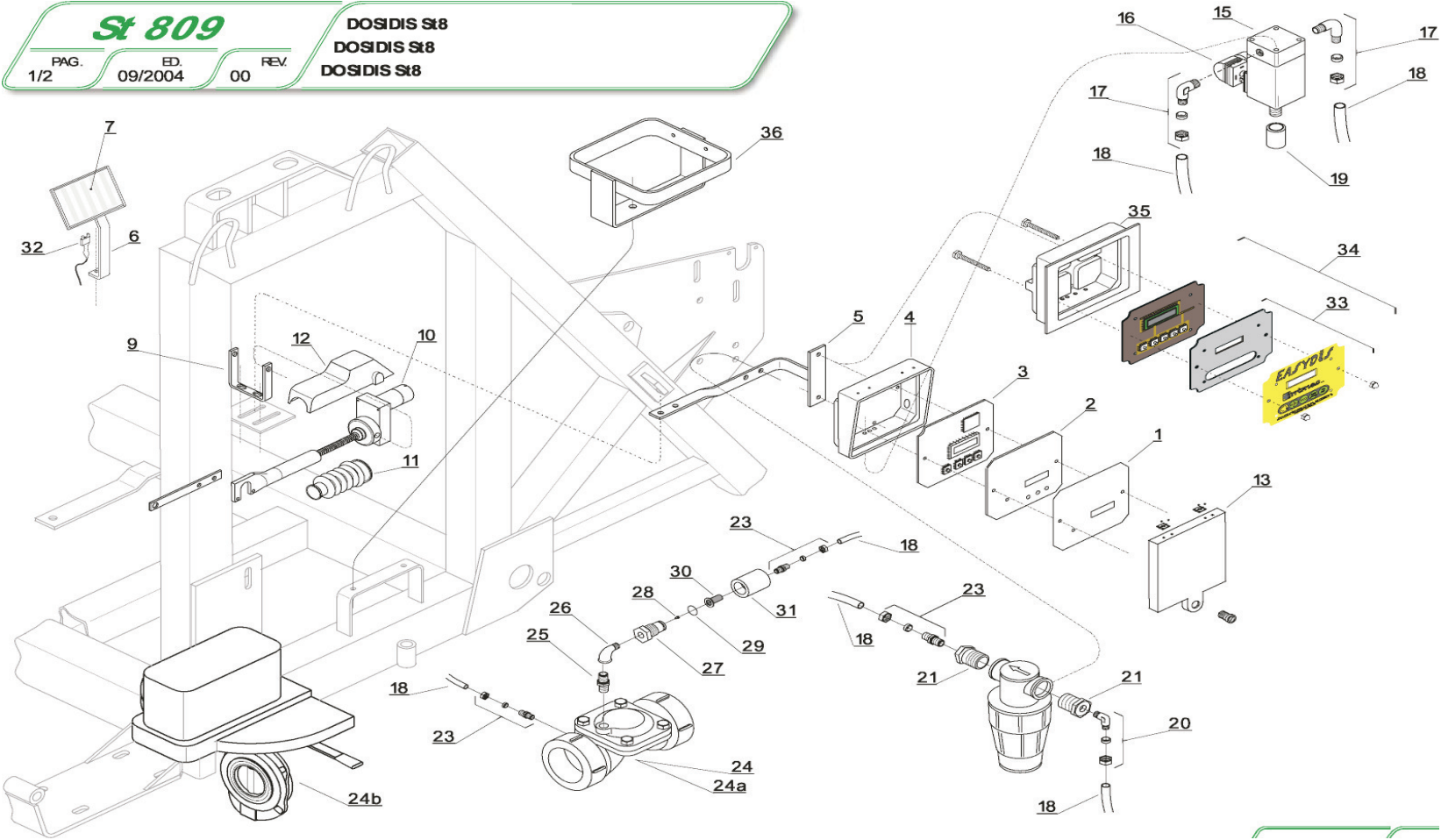
**St 807** 21

ITEM	P/N	DECRPTION	QTY.
31	3100	O-ring 108	2
32	02205660	Regolator flap with pin	1
33	02204140	Hand grip	1
34	02205570	Plate by-pass lever	1
35	02205580	By-pass lever comand	1
36	02203910	by-pass Hand wheel	1
38	58606750	Pressure gauge	1
39	02217950	Gauge cock	1
40	5984	Elbow M/F 1/4"	1
41	G27074	Elbow	1
42	02204840	O-ring 4412	2
43	02203021	Turbine body	1
44		Curve inferior turbine Bauer 5"	1
45	58800243	Gasket BAUER 5"	1
46		Curve inferior turbine for double supply pipe	1
47	02217970	Gasket DN80	1
48		Curve for VAD 2"½ - Bauer 5"	1
49		Curve for VAD 2"½ - double supply pipe	1
50		Curve for mechanic VAS	1
51		Mechanic VAS curve - Bauer 5"	1
52		Nipples threaded for VAS 4"	1
53		Nipples threaded for VAS 4"	





ITEM	P/N	DESCRIPTION	QTY.
1	005670/LT	Main frame turbine side	1
1a	02209831	Main frame chain side	1
2	02209860	Short leg	1
3	02209870	Long leg	1
4	G3301 0	Stirrup trolley coupler	2
5	02099125	Hose	0.81
6	6722	Clip	4
7	02207450	Ballast	4-8
8	02209890	U support wheel for 4 wheels trolley	2
9	02270230	Wheel 500 × 100 With plate	2-4
10	02212210	Slide support	1
11	02209920	Slide	1
12	02209930	Dely disco 4.50/6" U25	1
13	02219040	Gascket	1
14	02209950	Plug 70 × 70	2
15	02218830	Draw bar with chain	1
15a	G26033	Draw bar French type	1
15b	6151	Chain Din766	1,5m.
16	02209970	Big plate	2
17	02209971	Small plate	1
18	02208930	Gasket	1
19	16.PM.90×600	Hose	1
20	02218680	Main frame part	1
21	02218640	Draw bar pin	1
22	G35023	Trolley stop bar	1



ITEM	P/N	DECRPTION	QTY.
1	7400DIS120	Adesive of dosidis	1
2	002958/A	Front panel of dosidis	1
3	3029	PC board of dosidis	1
1-2-3	3030	PC board of dosidis	1
4	003915/A	Dosidis Box	1
5		Box support	1
6	02213650	Sun panel support	1
7	02213640	Sun panel	1
9	4774	U Actuator support	1
10	02213740	Complete actuator	1
11	4505	Protection below	1
12	4479	Actuator cover	1
13	02209550	Dosidis cover	1
15	2990	Electrovalve Burkert	1
16	003691/A	Connector	1
17		Curve 109.08.10	2
18	2672	Rilsan 6x8	
19	2972	Threaded sleeve 1/8"	1
20	231	Curve 109.08.13	1
21	1954	Redueer M-F 1/2"-1/4"	2
22	3006	Filter 1/2"	1
23	2659	Fitting 105.08.13	2
24	3259	Valve 4" VAS	1
24a	4623	Valve 2"1/2 VAD	1
24b	C19001	Mechanic valve	1
25	4532	Niples 1/2"	1
26	4509	Curve M-F 1/4"	1
27	2248	Filter plug	1
28	2248	Jet	1
29	02219703	OR 2056	1
30	02219702	Filter	1
31	02219701	Filter support	1
32	02213660	Sun panel connector	1
33	006098/A	Front panel with adesive of Easydis	1
34	006098/B	Complete PC board of Easydis	1
35	G34060	Easydis box	1
36	02211320	Battery support	1