



707 S. Schrader Ave.  
 P.O. Box 290  
 Havana, IL 62644 USA  
 Phone: 309.543.4425  
 Fax: 309.543.4945  
 E-mail:  
[parts@kifco.com](mailto:parts@kifco.com)

[\[List of All Parts  
 Manuals\]](#)

## Water-Reel<sup>(TM)</sup> Irrigation

### PARTS MANUAL

### Turbine Driven 21A/23A

### S/N 320,000 to 359,999

Added page 18 11/19/08 Rc

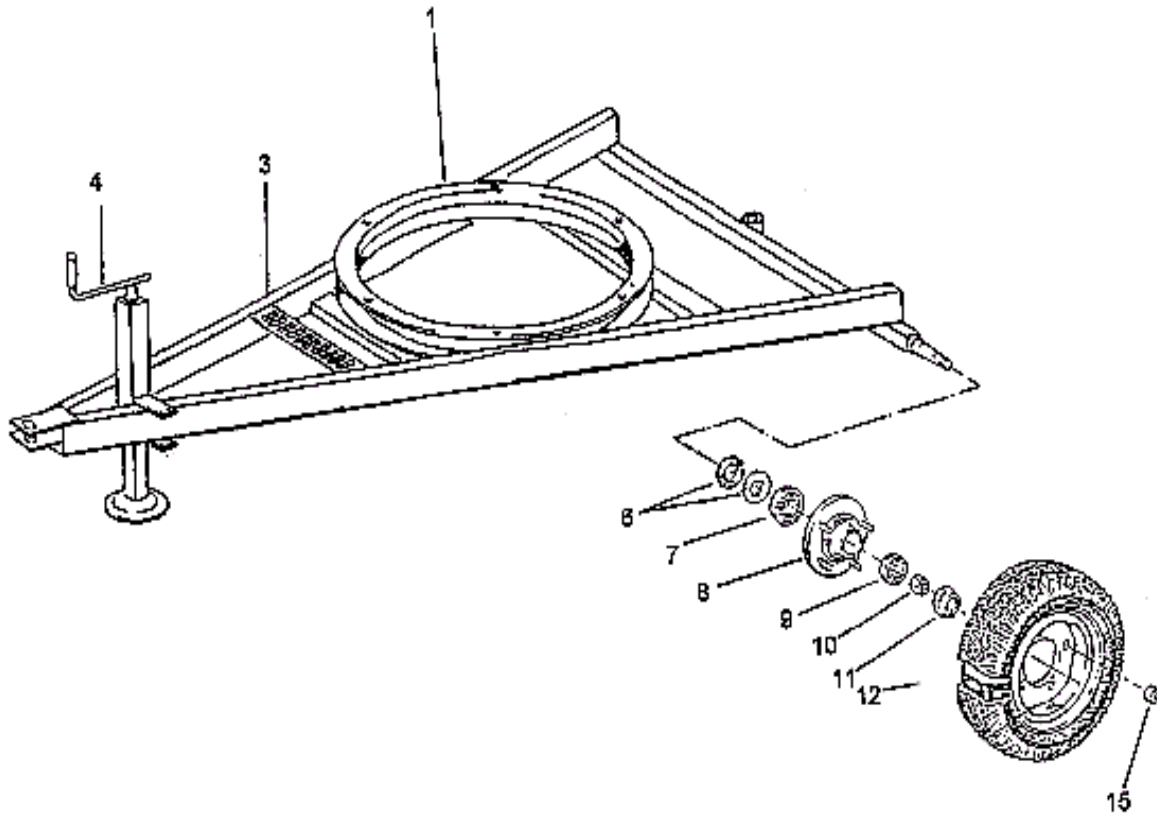
Assembly	Page
Running Gear Assembly	<a href="#">2</a>
Cradle Assembly	<a href="#">4</a>
Spool Assembly	<a href="#">6</a>
Levelwind Assembly	<a href="#">8</a>
Boom Assembly	<a href="#">10</a>
Boom Assembly	<a href="#">10a</a>
Shut Off	<a href="#">12</a>
Turbine Assembly	<a href="#">14</a>
Gearbox	<a href="#">16</a>
Drive Train Group	<a href="#">18</a>
Sprinkler Cart Assembly	<a href="#">20</a>
Sprinkler Cart Assembly	<a href="#">20a</a>
Decal Group	<a href="#">22</a>
Numerical Parts Listing	<a href="#">24-29</a>

#### Notes:

For Parts That Are Described As "Left" Or "Right" The Water Inlet Side Of The Machine Is Considered The Right Side.

Items Such As Common Fasteners, Grease Fitting, And Other Small Parts Easy To Acquire Locally Are Not Listed.

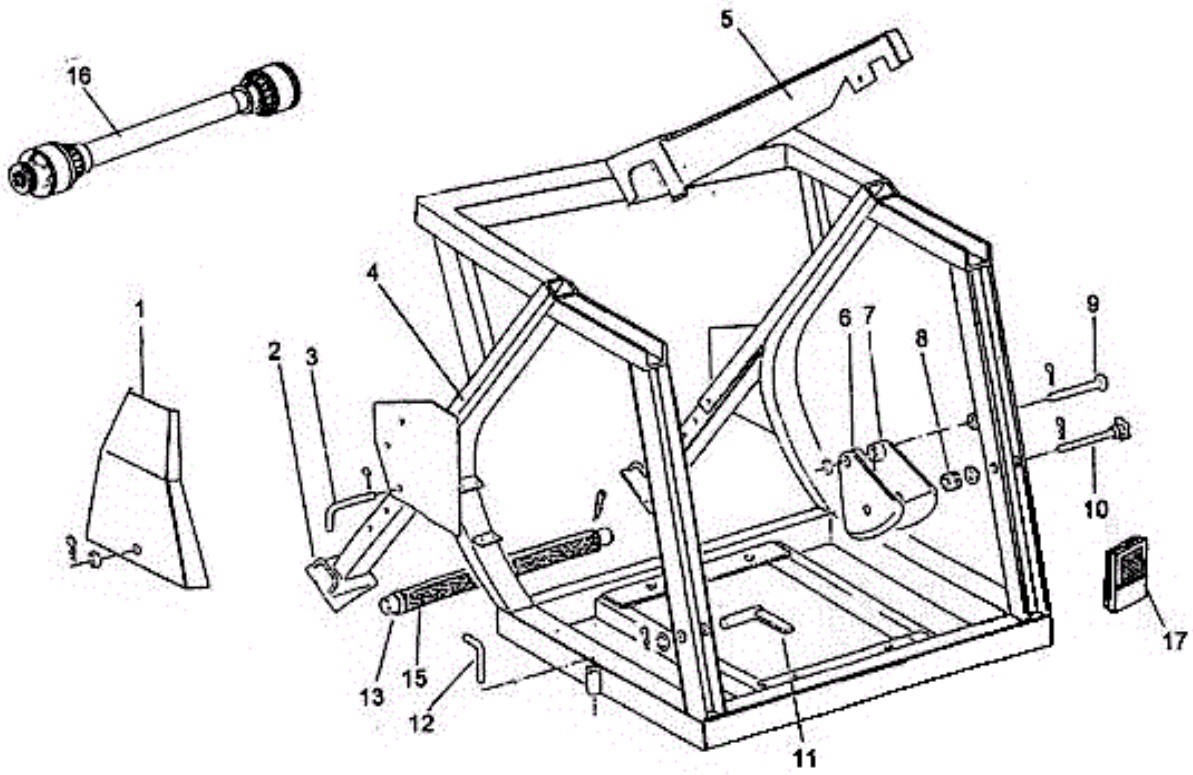
### Running Gear Assembly - Page 2



## Page 3

<b>Running Gear Assembly</b>			
<b>No.</b>	<b>Part Number</b>	<b>Description</b>	<b>Qty.</b>
1	020-1020-1	Bearing, Turntable	1
3		Chassis	1
4	020-1017-1	Tongue Jack	1
6		Dust Gaurd	2
7	022-0390-0	Bearing	2
8	022-0391-1	Hub. Wheel	2
9	022-0392-0	Bearing	2
10	022-0394-0	Nut	2
11	022-0395-0	Dust Cap	2
12	022-1038-0	WHEEL TIRE ASSY R14-165	2
15	022-0398-0	Nut, Lug	8

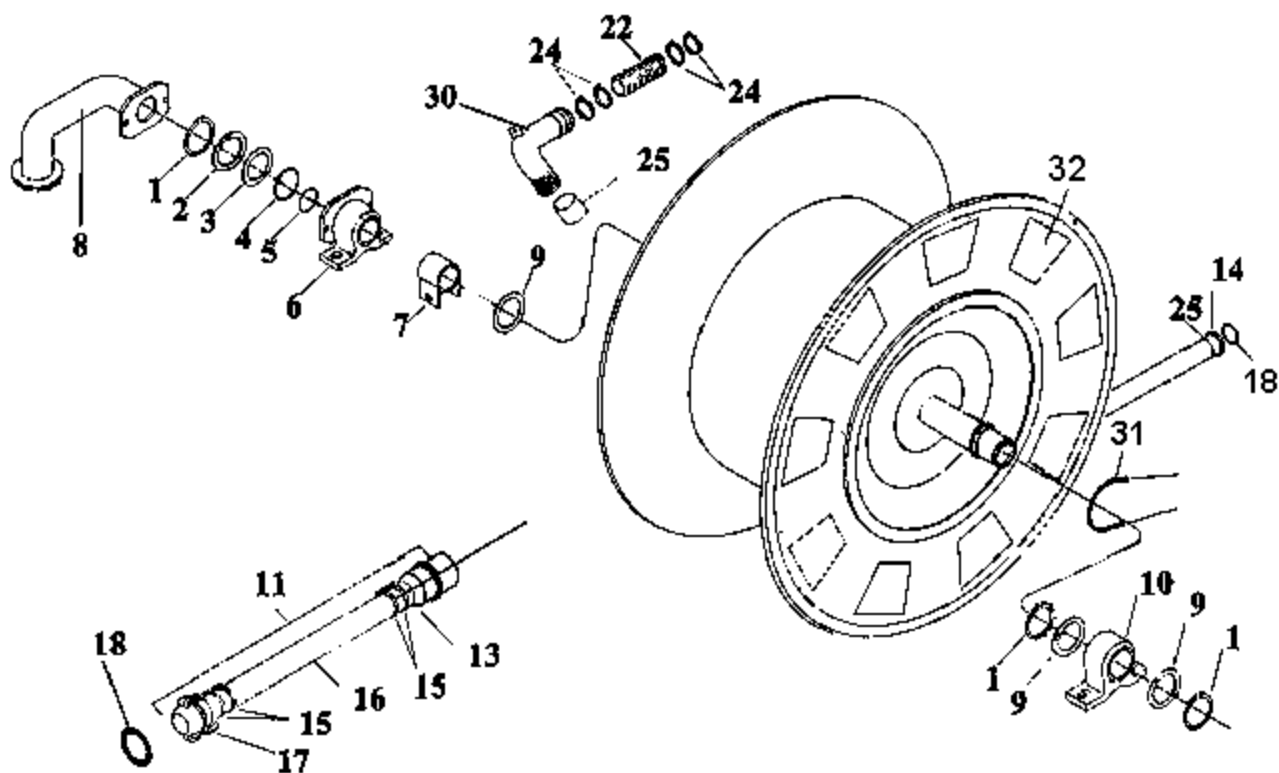
### Cradle Assembly - Page 4



## Page 5

		<b>Cradle Assembly</b>	
<b>No.</b>	<b>Part Number</b>	<b>Description</b>	<b>Qty.</b>
1	022-0399-1	Shield	1
2A	020-1017-8	Stabilizer Leg, Right	1
2B	020-1017-4	Stabilizer Leg, Left	1
3	021-0100-8	Pin	1
4	597-0165-0	Cradle	1
5	022-0406-0	Shield	1
6	022-0400-0	Brake Plate	1
7	022-0401-0	Brake Plate	1
8	022-0402-0	Washer, Spring	4
9	022-0403-0	Pin	1
10	022-0793-0	Control Brake Screw	1
11	022-0404-0	Anti Return Key	1
12	020-1017-7	Pin	1
13	020-1020-2	Horizontal Roller	1
15	020-1020-3	Roller Cover	1
16A	300-3604-2	Shaft, PTO	1
16B	588-0311-0	Tube, PTO Mount (Not Shown)	2
16C	550-4918-1	Bolt, 3/4 x 3" Hd Hex (Not Shown)	2
17	597-0119-1	Operator Manual Holder	1

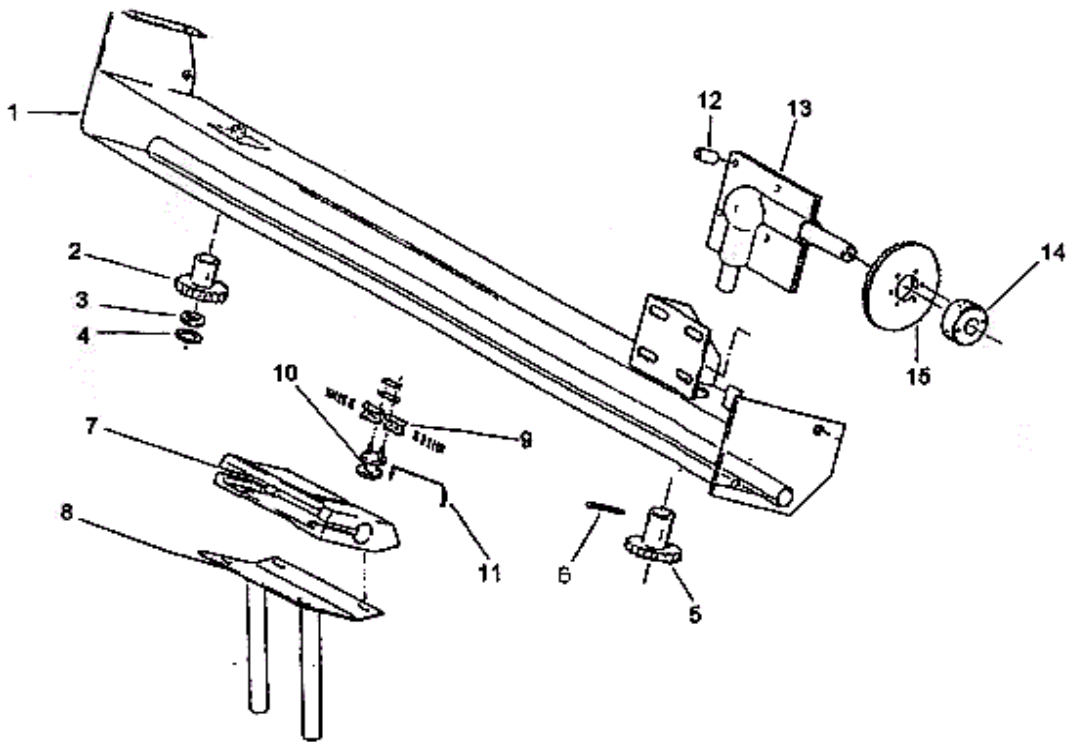
### Spool Assembly - Page 6



## Page 7

<b>Spool Assembly</b>				
<b>No.</b>	<b>Part Number</b>	<b>Description</b>		<b>Qty.</b>
1	020-0103-1	Snap Ring		3
2	020-0106-7	Washer, Thrust		1
3	020-0104-8	Thrust Wear		1
4	020-0104-6	O-Ring		1
5	020-0104-7	O-Ring		1
6	020-0104-5	Bearing		1
7	022-0410-0	Drive Arm Hub		1
8	022-0669-0	Elbow, Upper		1
9	022-0408-0	Spacer		1
10	020-0103-3	Bearing		1
11	588-0284-1	Supply Hose Complete		1
13	588-0266-2	Hose End Inlet 3" to 4"		1
14a	020-0107-4	Tube End, 3" Lever Lock x 63mm PE		1
14b	022-0662-0	Tube End, 3" Lever Lock x 70 mm PE		1
15	030-1920-7	Supra Clamp 79-85		4
16	252-4962-2	Hose, 3" Irrigation Supply	Ft.	30
17	588-0022-1	Lever Lock Ring 3"		1
18	588-0022-3	Gasket, 3" Leverlock (76mm)		1
22	020-0106-8	Hose		1
24	030-1806-0	Super Clamp 64-67		4
25a	020-0044-8	Hose Band, 63mm		2
25b	022-0530-0	Hose Band, 70mm		1
30a	020-0104-1	Elbow, PE Tube 63mm		1
30b	022-0671-0	Elbow, PE Tube 70mm		1
31	020-0114-0	Chain 1/2" ( 169 Rollers )	Ft.	8.1
32	022-0149-1	Spool		1

Levelwind Assembly - Page 8

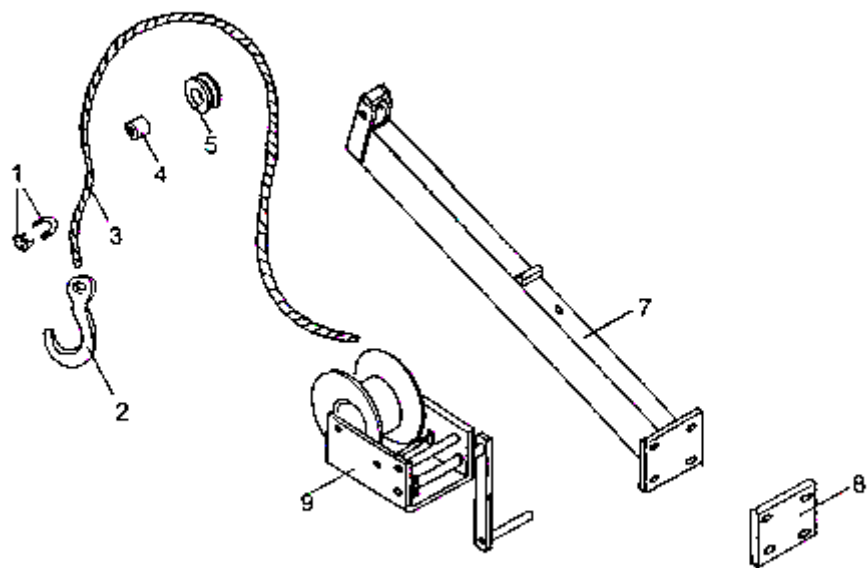




## Page 9

<b>Levelwind Assembly</b>				
<b>No.</b>	<b>Part Number</b>	<b>Description</b>		<b>Qty.</b>
1	020-0107-7	Levelwind Frame		1
2	020-0047-5	Sprocket, Levelwind Idler		1
3	020-0107-8	Spacer		4
4	526-6254-0	Snap Ring		1
5	020-0047-9	Sprocket, Levelwind Driver		1
6	589-0214-0	Spring Pin 7mm x 45mm		1
7	020-0108-0	Fork Support		1
8A	020-0063-0	Fork 63 mm (21 Machine)		1
8B	022-0575-0	Fork 70mm (23 Machine)		1
9	'020-0114-1	Chain, Levelwind Roller 5/8" Chain (114 Pins)	ft.	6
10	020-0049-6	Guide Link		1
11	020-0077-6	Retaining Clip		1
12	020-0108-4	Spacer		1
13	020-0108-5	Angle Drive Gearbox		1
14	020-0015-3	Hub, Sprocket		1
15A	020-0085-9	Sprocket, 35 Tooth for 63mm tube		1
15B	022-0386-1	Sprocket, 32 Tooth for 70mm tube		1

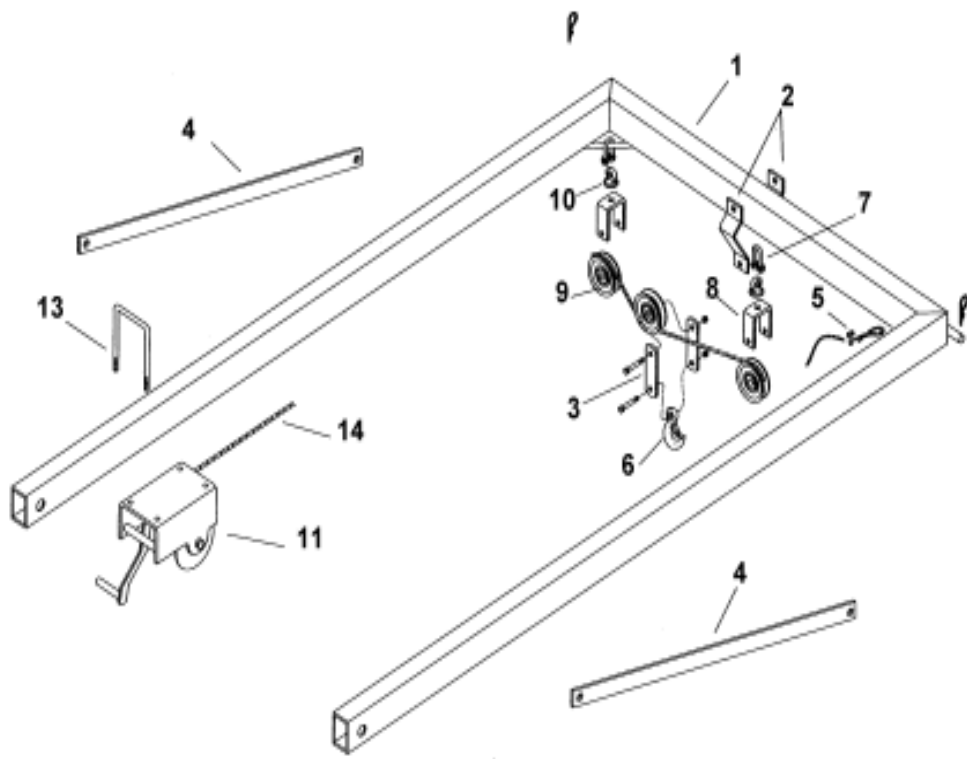
Sprinkler Cart Lift Assembly - Page 10



## Page 11

<b>Sprinkler Cart Lift Assembly</b>				
<b>No.</b>	<b>Part Number</b>	<b>Description</b>		<b>Qty.</b>
1	560-4845-0	Clamp 1/4"		1
2	523-5565-0	Hook Slip by Clevis 3/8"		1
3	750-4844-0	Cable, 1/4 Galv. 7 x 19 GAC	Ft.	10
4	325-5191-0	Bushing, .56 x .843 x .62 Long		1
5	402-4906-0	Pulley, 2 x 17/32 WRP		1
6	400-4855-1	Winch, Fulton K 1550		1
7	588-0298-2	Boom		1
8	588-0345-0	Clamp, Plate		1

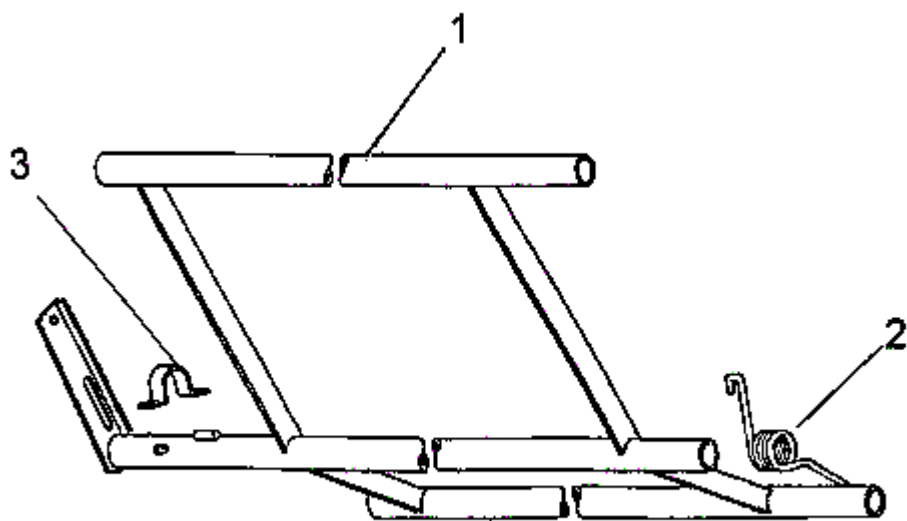
Sprinkler Cart Lift Assembly - Page 10a



## Page 11a

<b>Sprinkler Cart Lift Assembly</b>				
<b>No.</b>	<b>Part Number</b>	<b>Description</b>		<b>Qty.</b>
1		Fix Frame (D04019)		1
2	02218161	PULLEY SUPPORT ST4		2
3		Pulley Support		4
4		Flat Bar (004566)		2
5	56005270	CLAMP, 1/4" CABLE		2
6	02218110	HOOK		2
7	02218120	CLEVIS		2
8	02218140	FORK		2
9	02218150	PULLEY		4
10	02218130	EYE BOLT M12F		2
11	02218090	WINCH, K750		1
13	02218101	U-BOLT M8		2
14	750-4844-0	Cable, 1/4 Galv. 7 x 19 GAC	ft.	27

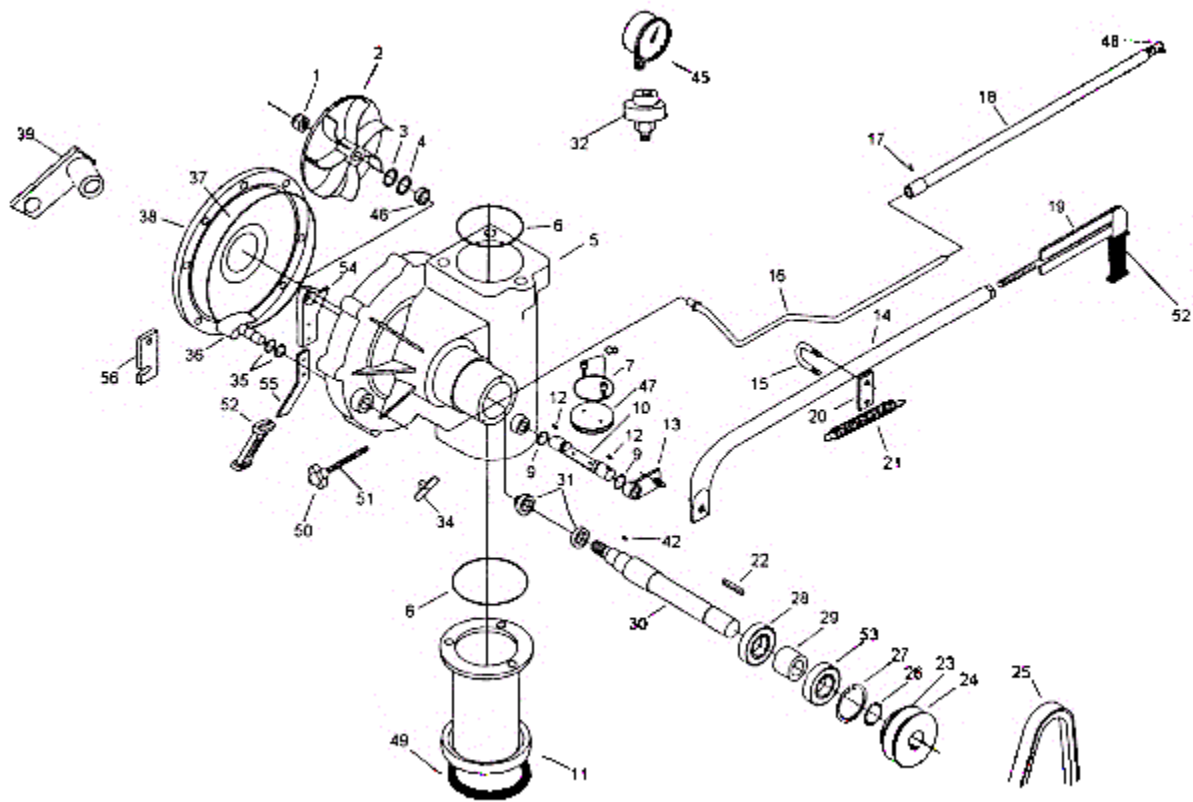
Shut Off Bar Assembly - Page 12



## Page 13

		<b>Shut Off Bar Assembly</b>	
<b>No.</b>	<b>Part Number</b>	<b>Description</b>	<b>Qty.</b>
1	022-0411-0	Hose Retention Bar	1
2	020-0016-6	Spring, Torsion	1
3	020-0109-0	Retainer	1

### Turbine Assembly - Page 14



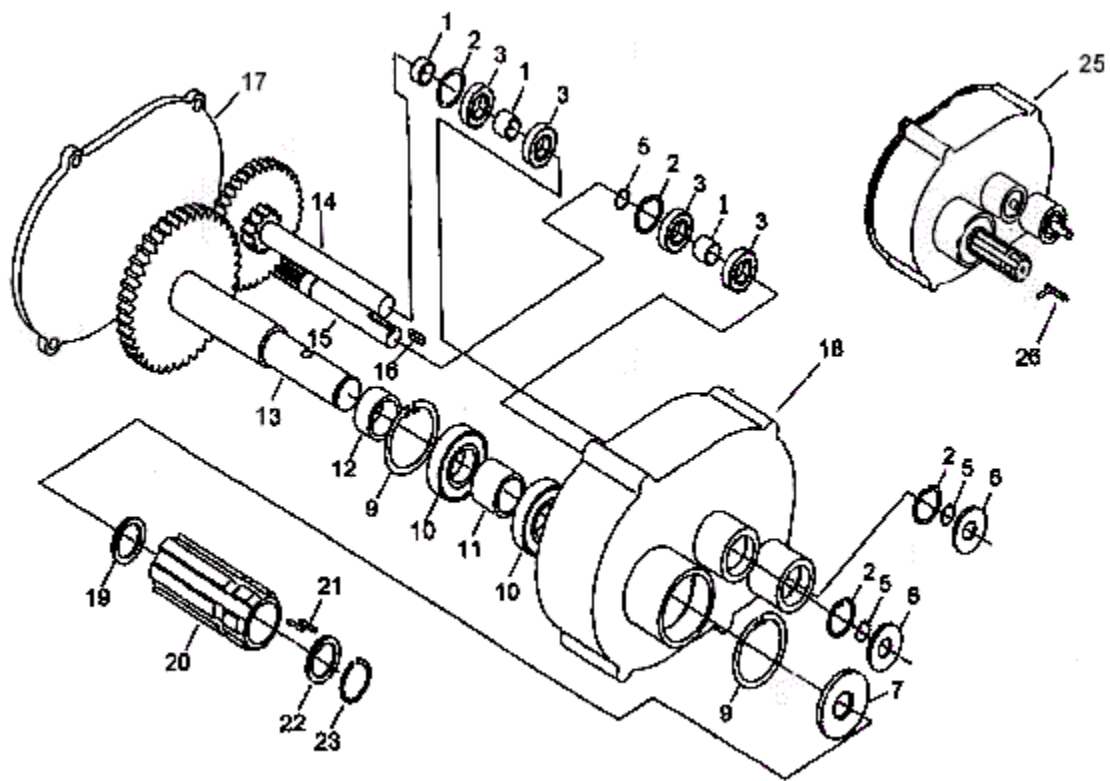


## Page 15

<b>Turbine Assembly</b>			
<b>No.</b>	<b>Part Number</b>	<b>Description</b>	<b>Qty.</b>
1	022-0198-0	Nut, Self Locking Thin M14 x 1.5	1
2	022-0199-1	Impeller 5.43 x .20 Vane Height	1
3	022-0300-0	Spacer, .28"thick x .64" ID x 1.0" OD	1
4	022-0301-0	Spacer Dia. 20mm	1
5	022-0302-0	Turbine Body	1
6	022-0303-0	O-Ring, Dia. 71.54 x 3.53	2
7	022-0304-0	Gasket, By-Pass	1
8	022-0305-0	Screw 6 x 16 Inox	2
9	022-0306-0	O-Ring Dia. 10.77 x 2.62	2
10	022-0307-0	Shaft, By-Pass	1
11	022-0435-0	Lower Feeder Elbow 3"	1
12	022-0309-0	Key 5mm x 5mm x 10mm Long	2
13	022-0310-0	Lever, Control By-Pass	1
14	022-0311-0	By-Pass Rod	1
15	022-0312-0	U-Bolt M8	1
16	022-0313-0	Rod, Turbine Side	1
17	022-0314-0	Set Screw, M6	1
18	022-0569-0	Rod, Hose Retention Side	1
19	022-0316-1	Tie Rod 10mm Thread	1
20	022-0592-0	Spring Support	1
21	022-0317-0	By-Pass Spring	1
22	022-0551-0	Key 6 x 50	1
23	022-0320-0	Set Screw M8	1
24	022-0598-0	pulley, Thee Step 3,2-1/4", 1-9/16	1
25	022-0440-1	V Belt 3mm x 6mm x 24"	1
26	022-0168-0	Snap Ring Dia. 20	1
27	022-0324-0	Snap Ring Dia. 47	1
28	022-0167-0	Bearing, 6204 2RS	1
29	553-7001-0	Spacer, .134" Thick	1
30	022-0326-0	Impeller (Shaft)	1
31	022-0545-0	Seal 20 x 6	1
32	596-0041-0	Gauge Protector	1
34	596-0300-0	Control Lever	1
35	022-0331-0	O-Ring Dia. 8.73 x 1.78	2
36	022-0332-0	Regulator Flap with pin	1
37	022-0333-0	O-Ring Dia. 203 x 3.53	1

38	022-0334-0	Impeller cover	1
39	022-0335-0	Lock Lever	1
42	022-0337-0	Key, 5 x 10	1
45	586-0675-0	Gauge, Press 0-300	1
46	022-0339-0	Shim, 25mm x 20mm x 1mm Thick	1
47	022-0340-0	Disv. By-Pass	1
48	022-0341-0	Rod End. Dia. 8	1
49	588-0022-3	Gasket 3"	1
50	022-0391-0	Hand Wheel	1
51	022-0392-0	Screw	1
52	022-0414-0	Hand Grip	1
53	022-0167-1	Bearing, 5204 2RS	1
54	022-0558-0	Lever	1
55	022-0557-0	Plate Lever	1
56	022-0573-0	Stop Plate	1

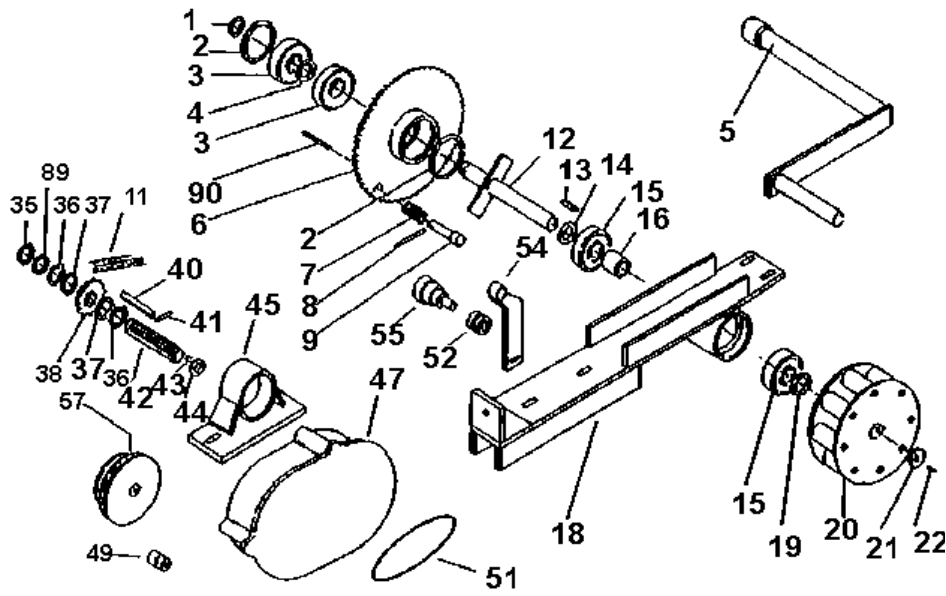
Gearbox - Page 16



## Page 17

		<b>Gearbox</b>	
<b>No.</b>	<b>Part Number</b>	<b>Description</b>	<b>Qty.</b>
1	022-0577-0	Spacer	2
2	022-0578-0	Snap Ring I26	4
3	022-0588-0	Bearing 6000	4
5	022-0579-0	Snap Ring E10	3
6	022-0672-0	Oil Seal Dia. 10 x 26	2
7	022-0673-0	Oil Seal	1
9	022-0166-0	Snap Ring I47	2
10	022-0589-0	Bearing 6005	2
11	022-0580-0	Spacer th:9	1
12	022-0581-0	Spacer th:7.5	1
13	022-0582-0	Gear Z100 M	1
14	022-0583-0	Middle Gear	1
15	022-0674-0	Inlet Gear Mo,75 Z11	1
16	022-0585-0	Key 3mm x 10mm	1
17	022-0675-0	Cover	1
18	022-0676-0	Gearbox Body	1
19	022-0586-0	Washer B14 Dia. 22 th:3	1
20	022-0195-0	PTO Splined Sleeve	1
21	022-0193-0	Bearing Pins Dia. 1.9mm x 17.5mm	62
22	022-0587-0	Washer B14 Dia. 18 th:3	1
23	022-0189-0	Snap Ring E18	1
25	022-0427-0	Gearbox Assy. with PTO Shaft Splined Sleeve	1
26	022-0191-0	Safety Key	1

Drive Train Group - Page 18

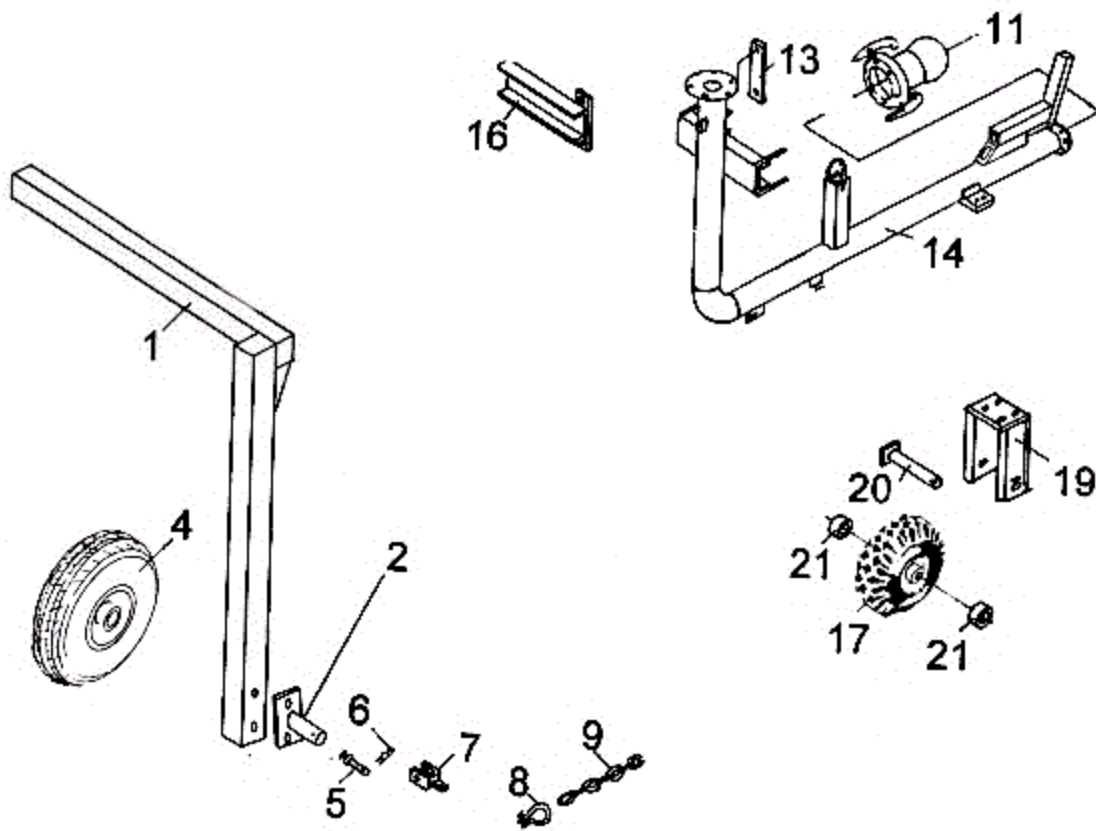


## Page 19

		<b>Drive Train Group</b>		
<b>No.</b>	<b>Part Number</b>	<b>Description</b>		<b>Qty.</b>
1	022-0342-0	Stop Ring E25		1
2	022-0343-0	Stop Ring I47		2
3	022-0344-0	Bearing 6005 2RS		2
4	022-0345-0	Spacer Dia. 26		1
5	022-0479-0	Crank		1
6	022-0346-0	Sprocket, 1/2 Z90		1
7	022-0347-0	Spring		1
8	022-0348-0	Pin		1
9	022-0349-0	Pin		1
11	020-0114-0	Chain 1/2" 110 Pins	Ft.	4.6
12	022-0415-0	Shaft		1
13	022-0416-0	Key 8 x 10		1
14	022-0417-0	Washer, 26 x 44		1
15	022-0344-0	Bearing 6205 2RS		2
16	022-0418-0	Spacer		1
18	022-1399-0	Turbine Mechanism Support		1
19	022-0419-0	Spacer Dia. 25mm		1
20	022-0421-0	Pinion, Dia. 25mm		1
21	022-0359-1	WASHER, 80X 32		1
22	550-7011-0	Screw, 10mm x 25 mm x Allen Flat		1
35	022-0422-0	Stop Ring Dia. 18		1
36	022-0360-0	Stop Ring Dia. 35		1
37	022-0361-0	Spacer Dia. 35 x 1		2
38	022-0362-1	Sprocket 1/2" Z15		1
40	022-0191-0	Safety Key		1
41	022-0192-0	Threaded Pin		1
42	022-0195-0	Splined Pin		1
43	022-0425-0	Bearing Pins Dia. 1.9 x 17.5		1
44	022-0426-0	Spacer, Dia. 22 x 2.8 Bronze		1
45	022-0428-0	Gearbox Support		1
47	022-0427-0	Gearbox		1
49a	595-0482-0	Pulley, Drive Tach		1
49b	022-0320-1	Set Screw (not shown)		1
51	022-0366-0	Belt, Dia. 3.5		1
52	594-0441-1	Pulley, Dia. 25		1
54	022-0430-0	Tach Support		1
55	022-0120-0	Tach		1

57	022-0599-0	Pulley		1
58	022-0585-0	Key, 3mm x 10mm		
89	022-0432-0	Spacer Dia. 18 x 2.8		1
90	022-0433-0	Support		1
91	022-0121-0	PTO Splined Pin (Shaft) Cover (Not Shown)		1
92	022-0479-0	Rewind Crank (Not Shown)		1

### Sprinkler Cart Assembly - Page 20

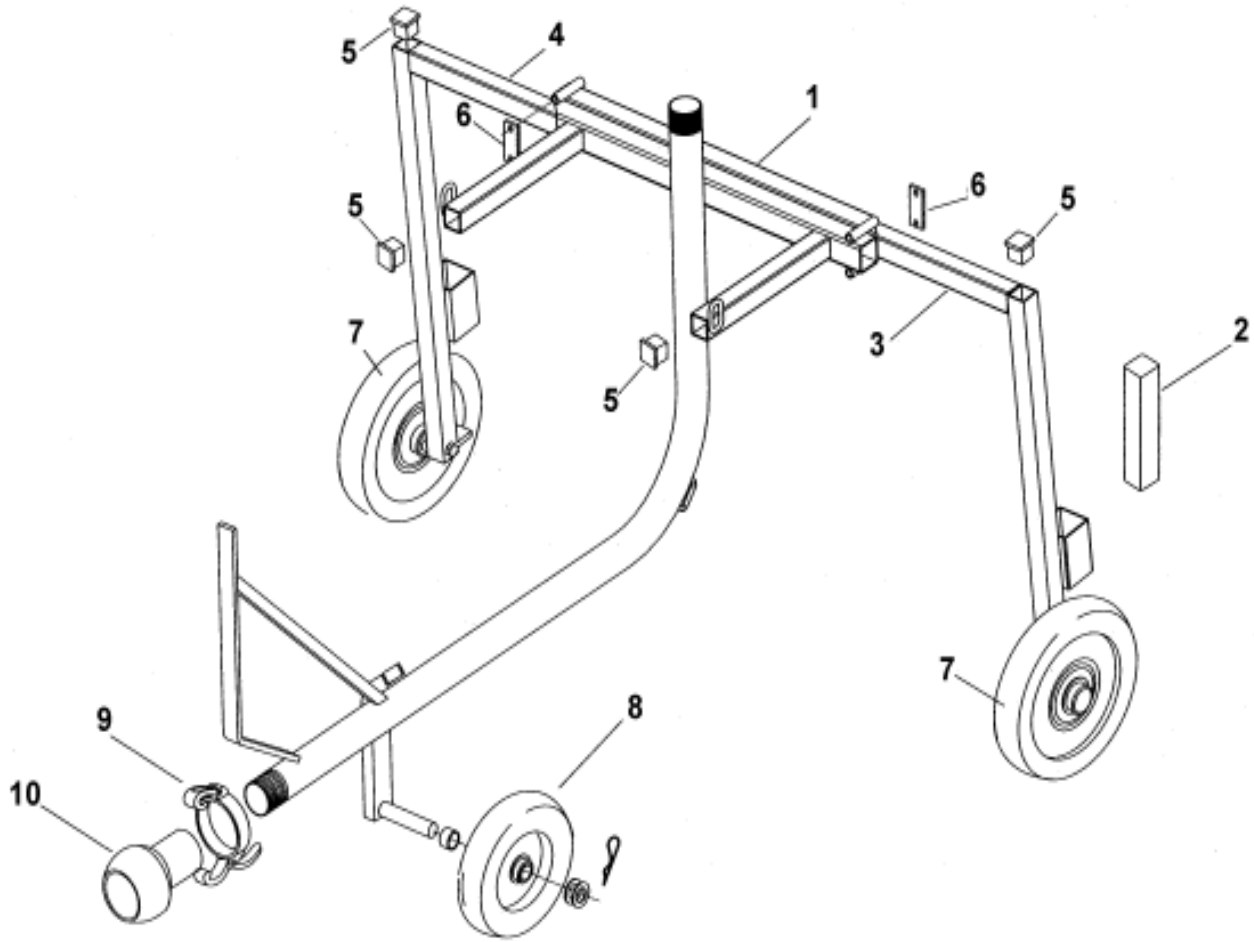




## Page 21

		<b>Sprinkler Cart Assembly</b>		
<b>No.</b>	<b>Part Number</b>	<b>Description</b>		<b>Qty.</b>
1	595-0430-0	Gun Cart Leg T-21		2
2	595-0433-0	Rear Spindle		2
4	586-0229-0	Wheel/Tire/bearing, 4.80 x 4.00-8		2
5	558-3281-0	Pin Clevis 3/4 x 3 T-head		1
6	561-0204-0	Hair Pin .118 x 2 11/16		1
7	523-5421-0	Hitch, Chain		1
8	589-0079-1	Shackle R.P.C. 1/4"		2
9	850-4059-0	Chain 3/16 PC Plated	Ft.	3
11	596-0266-0	Flange with 3" Ball		1
13	587-0082-0	Strap		1
14	596-0422-0	Gun Cart Body, T-21		1
16	587-0083-0	Clamp		1
17	586-0811-0	Wheel, Tire & Bearing, 410/350 x 4		1
19	588-0148-1	Yoke		1
20	586-0899-0	Front Axle		1
21	586-0844-0	Spacer		2

Sprinkler Cart Assembly - Page 20a



## Page 21a

<b>Sprinkler Cart Assembly</b>			
<b>No.</b>	<b>Part Number</b>	<b>Description</b>	<b>Qty.</b>
1	02220010	GUNCART BODY "AA"	1
2	02207150	WEIGHT, CART BALLAST (2" OR 60MM)	2
3	02220060	Leg Chain Side (G25035)	1
4	02220070	Leg Turbine Side (G25036)	1
5		Plug 40x40 (005925)	4
6		Plate (004852)	2
7		Wheel 370x90 (002882)	2
8	02216551	WHEEL, 310X90	1
9	58800221	LEVER RING 3" 451 76MM	1
10		Ball connecting (7BAS300MM200)	1

Decals - Page 22

**T21A PERFORMANCE GUIDE**

**T23A PERFORMANCE GUIDE**

**AG-RAIN**

**CAUTION** (Multiple instances)

**WARNING**

**GASOLINE**

**Shipping Brace Only**

**Service Notice**

**Lubrication**

**Keep level wind aside bar greased at all times**

1-16, 7, 9, 10, 11, 12, 13, 14, 15, 17

3A, 3B, 5, 2

1

## Page 23

		<b>Decals</b>	
<b>No.</b>	<b>Part Number</b>	<b>Description</b>	<b>Qty.</b>
1	594-065-1	Decal, Warning & Caution Page	1
2	594-0565-0	Decal, Instruction Page	1
3A	594-0403-4	Decal, Performance Guide 21A	1
3B	595-0331-0	Decal, Performance Guide 23A	1
5	585-0299-2	Decal, 6" Round Logo	1
7	585-0404-3	Decal, Ag-Rain 1-1/2" Letters	1
8	596-0017-0	Decal, Supply Hose	1
9	596-0309-0	Decal, Brake Adjustment	1
10	596-0428-0	Decal, Lubrication	1
11	595-0275-1	Decal, PTO Rewind	1
12	595-0275-2	Decal, Anti Return Pawl	1

## Page 24

Numerical Parts Listing				
Page				
No.	Part Number	Description		Qty.
<a href="#">8</a>	020-0015-3	Hub, Sprocket		1
<a href="#">12</a>	020-0016-6	Spring, Torsion		1
<a href="#">6</a>	020-0044-8	Hose Band, 63mm		2
<a href="#">8</a>	020-0047-5	Sprocket, Levelwind Idler		1
<a href="#">8</a>	020-0047-9	Sprocket, Levelwind Driver		1
<a href="#">8</a>	020-0049-6	Guide Link		1
<a href="#">8</a>	020-0063-0	Fork 63mm (21 Machine)		1
<a href="#">8</a>	020-0077-6	Retaining Clip		1
<a href="#">8</a>	020-0085-9	Sprocket, 35 Tooth for 63mm Tube		1
<a href="#">6</a>	020-0103-1	Snap Ring		3
<a href="#">6</a>	020-0103-3	Bearing		1
<a href="#">6</a>	020-0104-1	Elbow, PE Tube 63mm		1
<a href="#">6</a>	020-0104-5	Bearing		1
<a href="#">6</a>	020-0104-6	O-Ring		1
<a href="#">6</a>	020-0104-7	O-Ring		1
<a href="#">6</a>	020-0104-8	Thrust Wear		1
<a href="#">6</a>	020-0106-7	Washer, Thrust		1
<a href="#">6</a>	020-0106-8	Hose		1
<a href="#">6</a>	020-0107-4	Tube End, 3" Lever Lock x 63mm PE		1
<a href="#">8</a>	020-0107-7	Levelwind Frame		1
<a href="#">8</a>	020-0107-8	Spacer		4
<a href="#">8</a>	020-0108-0	Fork Support		1
<a href="#">8</a>	020-0108-4	Spacer		1
<a href="#">8</a>	020-0108-5	Angle Drive Gearbox		1
<a href="#">8</a>	020-0108-8	Chain, Levelwind Roller 5/8" Chain (114 Pins)		1
<a href="#">12</a>	020-0109-0	Retainer		1
<a href="#">18</a>	020-0144-0	Chain 1/2" 100 Pins	Ft.	5
<a href="#">6</a>	020-1003-2	Washer		2
<a href="#">2</a>	020-1017-1	Tongue Jack		1
<a href="#">4</a>	020-1017-4	Stabilizer Leg, Left		1
<a href="#">4</a>	020-1017-7	Pin		1
<a href="#">4</a>	020-1017-8	Stabilizer Leg, Right		1
<a href="#">2</a>	020-1020-1	Bearing Turntable		1
<a href="#">4</a>	020-1020-2	Horizontal Roller		1
<a href="#">4</a>	020-1020-3	Roller Cover		1
<a href="#">4</a>	021-0100-8	Pin		1
<a href="#">18</a>	022-0120-0	Tach		1

<a href="#">18</a>	022-0121-0	PTO Splined Pin (Shaft) Cover (Not Shown)		1
<a href="#">16</a>	022-0166-0	Snap Ring i47		2
<a href="#">14</a>	022-0167-0	Bearing 6204 2RS		1
<a href="#">14</a>	022-0167-1	Bearing 5204 2RS		1

## Page 25

Numerical Parts Listing			
Page	Part Number	Description	Qty.
<a href="#">16</a>	022-0189-0	Snap Ring E18	1
<a href="#">16</a>	022-0191-0	Safety Key	1
<a href="#">18</a>	022-0191-0	Safety Key	1
<a href="#">18</a>	022-0192-0	Threaded Pin	1
<a href="#">16</a>	022-0193-0	Bearing Pins Dia. 1.9mm x 17.5mm	62
<a href="#">16</a>	022-0195-0	PTO Splined Sleeve	1
<a href="#">18</a>	022-0195-0	Splined Pin	1
<a href="#">14</a>	022-0198-0	Nut, Self Locking thin M14 x 1.5	1
<a href="#">14</a>	022-0199-1	Impeller 5.43 x .20 Vane Height	1
<a href="#">14</a>	022-0300-0	Spacer, .28" thick x .64"ID x 1.0" OD	1
<a href="#">14</a>	022-0301-0	Spacer Dia. 20mm	1
<a href="#">14</a>	022-0302-0	Turbine Body	1
<a href="#">14</a>	022-0303-0	O-Ring, Dia. 71.54 x 3.53	2
<a href="#">14</a>	022-0304-0	Gasket, By-Pass	1
<a href="#">14</a>	022-0305-0	Screw 6 x 16 Inox	2
<a href="#">14</a>	022-0306-0	O-Ring Dia. 10.77 x 2.62	2
<a href="#">14</a>	022-0307-0	Shaft, By-Pass	1
<a href="#">14</a>	022-0310-0	Lever, Control By-pass	1
<a href="#">14</a>	022-0311-0	By-Pass Rod	1
<a href="#">14</a>	022-0312-0	U-Bolt M8	1
<a href="#">14</a>	022-0313-0	Rod, Turbine Side	1
<a href="#">14</a>	022-0314-0	Set Screw, M6	1
<a href="#">14</a>	022-0316-1	Tie Rod 10mm Thread	1
<a href="#">14</a>	022-0317-0	By-Pass Spring	1
<a href="#">14</a>	022-0320-0	Set Screw M8	1
<a href="#">14</a>	022-0323-0	Snap Ring Dia 20	1
<a href="#">14</a>	022-0324-0	Snap Ring Dia 47	1
<a href="#">14</a>	022-0326-0	Impeller (Shaft)	1
<a href="#">14</a>	022-0331-0	O-Ring Dia. 8.73 x 1.78	2
<a href="#">14</a>	022-0332-0	Regulator Flap with Pin	1
<a href="#">14</a>	022-0333-0	O-Ring Dia. 203 x 3.53	1
<a href="#">14</a>	022-0334-0	Impeller Cover	1
<a href="#">14</a>	022-0335-0	Lock Lever	1
<a href="#">14</a>	022-0337-0	Key, 5 x 10	3
<a href="#">14</a>	022-0339-0	Shim, 25mm x 20mm x 1mm Thick	1
<a href="#">14</a>	022-0340-0	Disv. By-Pass	1
<a href="#">14</a>	022-0341-0	Rod End. Dia 8	1



<a href="#">18</a>	022-0342-0	Stop Ring E25	1
<a href="#">18</a>	022-0343-0	Stop Ring I47	2

## Page 26

Numerical Parts Listing			
Page	Part Number	Description	Qty.
<a href="#">18</a>	022-0344-0	Bearing 6005 2RS	2
<a href="#">18</a>	022-0345-0	Spacer Dia. 26	1
<a href="#">18</a>	022-0346-0	Sprocket, 1/2 z90	1
<a href="#">18</a>	022-0347-0	Spring	1
<a href="#">18</a>	022-0348-0	Pin	1
<a href="#">18</a>	022-0349-0	Pin	1
<a href="#">18</a>	022-0353-0	Bearing 6207 2RS	2
<a href="#">18</a>	022-0359-0	Special Washer	1
<a href="#">18</a>	022-0360-0	Stop Ring Dia. 35	1
<a href="#">18</a>	022-0361-0	Spacer Dia. 35 x 1	2
<a href="#">18</a>	022-0362-1	Splined Crown 1/2" S15	1
<a href="#">18</a>	022-0366-0	Belt, Dia. 3.5	1
<a href="#">8</a>	022-0386-1	Sprocket, 32 Tooth for 70mm Tube	1
<a href="#">2</a>	022-0388-0	Chassis	1
<a href="#">2</a>	022-0389-0	Dust Guard	2
<a href="#">2</a>	022-0390-0	Bearing	2
<a href="#">2</a>	022-0391-0	Hub Wheel	2
<a href="#">14</a>	022-0391-0	Hand Wheel	1
<a href="#">2</a>	022-0392-0	Bearing	2
<a href="#">14</a>	022-0392-0	Screw	1
<a href="#">2</a>	022-0394-0	Nut	2
<a href="#">2</a>	022-0394-0	Tube	2
<a href="#">2</a>	022-0395-0	Dust Cap	2
<a href="#">2</a>	022-0396-0	Tire	2
<a href="#">2</a>	022-0397-0	Wheel	2
<a href="#">2</a>	022-0398-0	Nut, Lug	8
<a href="#">4</a>	022-0399-1	Shield	1
<a href="#">4</a>	022-0400-0	Brake Plate	1
<a href="#">4</a>	022-0401-0	Brake Plate	1
<a href="#">4</a>	022-0402-0	Washer Spring	4
<a href="#">4</a>	022-0403-0	Pin	1
<a href="#">4</a>	022-0404-0	Anti Return Key	1
<a href="#">4</a>	022-0406-0	Shield	1
<a href="#">6</a>	022-0408-0	Spacer	1
<a href="#">6</a>	022-0409-0	Teflon Bearing Ring	2
<a href="#">6</a>	022-0410-0	Drive Arm Hub	1
<a href="#">12</a>	022-0411-0	Hose Retention Bar	1

<a href="#">14</a>	022-0414-0	Hand grip	1
<a href="#">18</a>	022-0415-0	Shaft	1

## Page 27

		<b>Numerical Parts Listing</b>	
<b>Page</b>			
<b>No.</b>	<b>Part Number</b>	<b>Description</b>	<b>Qty.</b>
<a href="#">18</a>	022-0416-0	Key 8 x 10	1
<a href="#">18</a>	022-0417-0	Washer, 26 x 44	1
<a href="#">18</a>	022-0419-0	Turbine Mechanism Support	1
<a href="#">18</a>	022-0419-0	Spacer Dia. 25mm	1
<a href="#">18</a>	022-0421-0	Pinion, Dia. 25mm	1
<a href="#">18</a>	022-0422-0	Stop Ring Dia. 18	1
<a href="#">18</a>	022-0425-0	Bearing Pins Dia. 1.9 x 17.5	1
<a href="#">18</a>	022-0426-0	Spacer, Dia 22 x 2.8 Bronze	1
<a href="#">18</a>	022-0427-0	Gearbox Assem. with PTO Shaft Splined Sleeve	1
<a href="#">18</a>	022-0427-0	Gearbox	1
<a href="#">18</a>	022-0428-0	Gearbox Support	1
<a href="#">18</a>	022-0430-0	Tach Support	1
<a href="#">18</a>	022-0432-0	Spacer Dia 18 x 2.8	1
<a href="#">18</a>	022-0433-0	Support	1
<a href="#">14</a>	022-0435-0	Lower Feeder Elbow 3"	1
<a href="#">14</a>	022-0440-1	V belt 3mm x 6mm x 714mm	1
<a href="#">18</a>	022-0479-0	Crank	1
<a href="#">18</a>	022-0479-0	Rewind Crank (Not Shown)	1
<a href="#">6</a>	022-0530-0	Hose Band, 70mm	1
<a href="#">14</a>	022-0545-0	Seal 20 x 6	1
<a href="#">14</a>	022-0551-0	Key 6 x 50	1
<a href="#">14</a>	022-0557-0	Plate Lever	1
<a href="#">14</a>	022-0558-0	Lever	1
<a href="#">14</a>	022-0569-0	Rod, Hose Retention Side	1
<a href="#">14</a>	022-0573-0	Stop Plate	1
<a href="#">8</a>	022-0575-0	Fork 70mm (23 Machine)	1
<a href="#">16</a>	022-0576-0	Gearbox Body	1
<a href="#">16</a>	022-0577-0	Spacer	2
<a href="#">16</a>	022-0578-0	Snap Ring I26	4
<a href="#">16</a>	022-0579-0	Snap ring E10	3
<a href="#">16</a>	022-0580-0	Spacer th:9	1
<a href="#">16</a>	022-0581-0	Spacer th:7.5	1
<a href="#">16</a>	022-0582-0	Gear Z100 M	1
<a href="#">16</a>	022-0583-0	Middle Gear	1
<a href="#">16</a>	022-0585-0	Key 3mm x 10mm	1
<a href="#">16</a>	022-0586-0	Washer B14 Dia. 22 th:3	1
<a href="#">16</a>	022-0587-0	Washer B14 Dia. 18 th:3	1

<a href="#">16</a>	022-0588-0	Bearing 6000	4
<a href="#">16</a>	022-0589-0	Bearing 6005	2
<a href="#">14</a>	022-0592-0	Spring Support	1
<a href="#">14</a>	022-0598-0	Pulley Three Step 3,2 1/4", 1 9/16"	1
<a href="#">18</a>	022-0599-0	Pulley	1

## Page 28

		Numerical Parts Listing		
Page				
No.	Part Number	Description		Qty.
<a href="#">6</a>	022-0668-0	Tube End, 3" Lever Lock x 70mm PE		1
<a href="#">6</a>	022-0669-0	Upper Feeding Elbow		1
<a href="#">6</a>	022-0671-0	Elbow, PE Tube 70mm		1
<a href="#">16</a>	022-0672-0	Oil Seal Dia. 10 x 26		2
<a href="#">16</a>	022-0673-0	Oil Seal		1
<a href="#">16</a>	022-0674-0	Inlet Gear Mo. 75 Z11		1
<a href="#">16</a>	022-0675-0	Cover		1
<a href="#">4</a>	022-0793-0	Brake Screw		1
<a href="#">6</a>	030-1806-0	Super Clamp 64-67		4
<a href="#">6</a>	030-01920-7	Supra Clamp 79-85		4
<a href="#">18</a>	2-0418-0	Spacer		1
<a href="#">6</a>	252-4962-2	Hose, 3" Irrigation Supply	Ft	30
<a href="#">4</a>	300-3604-2	Shaft, PTO		1
<a href="#">10</a>	325-5191-0	Bushing, .56 x .843 x .62 Long		1
<a href="#">10</a>	400-4855-1	Winch, Fulton K1550		1
<a href="#">6</a>	400-4927-0	Band ring Lock 4"		1
<a href="#">10</a>	402-4906-0	Pulley, 2 x 17/32 WRP		1
<a href="#">20</a>	523-5421-0	Hitch, Chain		1
<a href="#">10</a>	523-5565-0	Hook Slip By Clevis 3/8"		1
<a href="#">8</a>	526-6254-0	Snap Ring		1
<a href="#">4</a>	550-4918-1	Bolt, 3/4 x 3" Hd Hex (Not Shown)		2
<a href="#">18</a>	550-7011-0	Screw, 10mm x 25mm x Allen Flat		1
<a href="#">14</a>	553-0628-5	Spacer, .124" Thick		1
<a href="#">20</a>	558-3281-0	Pin Clevis 3/4 x 3 T-head		1
<a href="#">10</a>	560-4845-0	Clamp 1/4"		1
<a href="#">20</a>	561-0204-0	Hair Pin .118 x 2 11/16		1
<a href="#">6</a>	584-0178-0	Tube, PE 70mm x 2.3 ID x 600 Ft		1
<a href="#">6</a>	584-0179-0	tube, PE 63mmx 2.1ID x 600 Ft		1
<a href="#">22</a>	585-0299-2	Decal, 6" Round Logo		1
<a href="#">22</a>	585-0404-3	Decal, Ag-Rain 1 1/2" Letters		1
<a href="#">20</a>	586-0229-0	Wheel/Tire/Bearing, 4.80 x 4.00 -8		2
<a href="#">14</a>	586-0675-0	Gauge, Press 0-300		1
<a href="#">20</a>	586-0811-0	Wheel, Tire & bearing, 410/350 x 4		1
<a href="#">20</a>	586-0844-0	Spacer		2
<a href="#">20</a>	586-0899-0	Front Axle		1
<a href="#">20</a>	587-0082-0	Strap		1
<a href="#">20</a>	587-0083-0	Clamp		1

<a href="#">6</a>	588-0022-1	Ring 3" Lever Lock		1
<a href="#">6</a>	588-0022-3	Gasket, 3" Leverlock		3

## Page 29

Numerical Parts Listing				
Page	Part Number	Description	Qty.	
<a href="#">14</a>	588-0022-3	Gasket 3"		1
<a href="#">20</a>	588-0148-1	Yoke		1
<a href="#">6</a>	588-0256-0	Hose end, 3" Male Lever Lock		1
<a href="#">6</a>	588-0266-2	Hose End Inlet 3" to 4"		1
<a href="#">10</a>	588-0298-2	Boom		1
<a href="#">4</a>	588-0311-0	Tube, PTO Mount (Not Shown)		2
<a href="#">10</a>	588-0345-0	Clamp, Plate		1
<a href="#">20</a>	589-0079-1	Shackle R.P.C. 1/4"		2
<a href="#">6</a>	589-0086-5	Spool		1
<a href="#">8</a>	589-0214-0	Spring Pin 7mm x 45mm		1
<a href="#">22</a>	590-0013-0	Decal, Grease Levelwind		1
<a href="#">22</a>	590-0113-0	Decal, Gasoline		1
<a href="#">22</a>	594-0403-4	Decal, Performance Guide 21A		1
<a href="#">18</a>	594-0441-1	Pulley, Dia. 25		1
<a href="#">22</a>	594-0565-0	Decal, Instruction Page		1
<a href="#">22</a>	594-065-1	Decal, Warning & Caution Page		1
<a href="#">22</a>	595-0275-1	Decal, PTO Rewind		1
<a href="#">22</a>	595-0275-2	Decal, Anti Return pawl		1
<a href="#">22</a>	595-0276-0	Decal, Shipping Brace Only		1
<a href="#">22</a>	595-0331-0	Decal, Performance Guide 23A		1
<a href="#">20</a>	595-0430-0	Gun Cart Leg T-21		2
<a href="#">20</a>	595-0433-0	Rear Spindle		2
<a href="#">18</a>	595-0482-0	Pulley, Drive Tach		1
<a href="#">22</a>	595-0501-0	Decal, Important Choke Full Open		1
<a href="#">22</a>	596-0017-0	Decal, Supply Hose		1
<a href="#">14</a>	596-0041-0	Guage Protector		1
<a href="#">20</a>	596-0266-0	Flange with 3" Ball		1
<a href="#">14</a>	596-0300-0	Control Lever		1
<a href="#">22</a>	596-0309-0	Decal, Brake Adjustment		1
<a href="#">20</a>	596-0422-0	Gun Cart body T-21		1
<a href="#">22</a>	596-0426-0	Decal, Change Oil		1
<a href="#">22</a>	596-0428-0	Decal, Lubrication		1
<a href="#">4</a>	597-0119-1	Operator Manual Holder		1
<a href="#">4</a>	597-0165-0	Cradle		1
<a href="#">10</a>	750-4844-0	Cable, 1/4 Galv. 7 x 19 GAC	Ft.	10
<a href="#">20</a>	850-4059-0	Chain 3/16 PC Plated	Ft.	3
<a href="#">6</a>	875-4875-1	Chain, 1/2 50/16 (169P)	Ft.	8





Copyright © 2000, Kifco