



**Turbine Drive Water-Reels®
Engine Drive Slurry-Reels**

T40A/2
E40A/2
(FG1)

Parts Manual

Serial No. 330,000 - 339,999



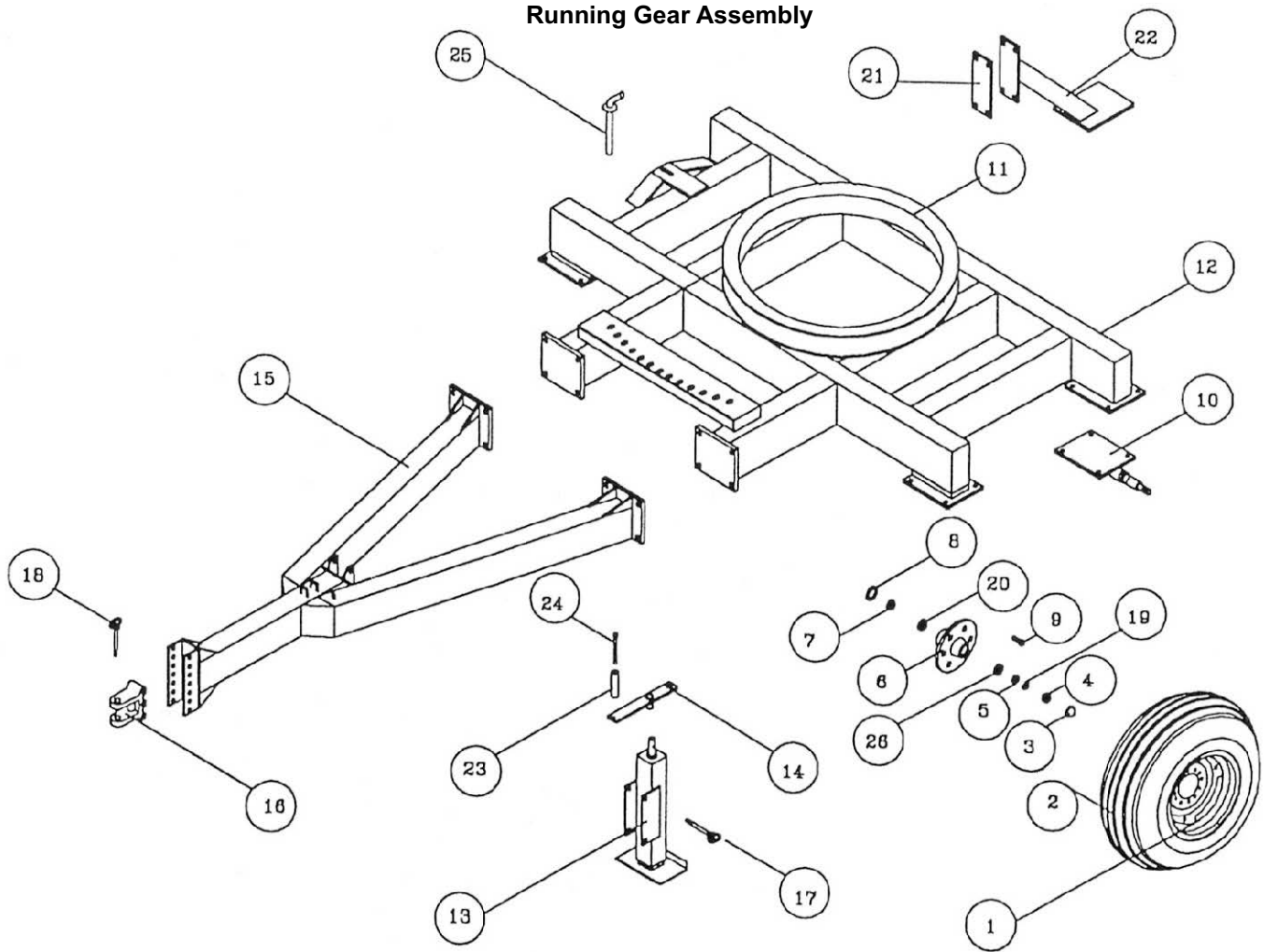
AG-RAIN®

700 S. Schrader Ave.
Havana, Illinois 62644
Phone: 309-543-4425
Fax: 309-543-4945

For Parts that are described as "Left" or "Right" the water inlet side of the machine is considered the right side

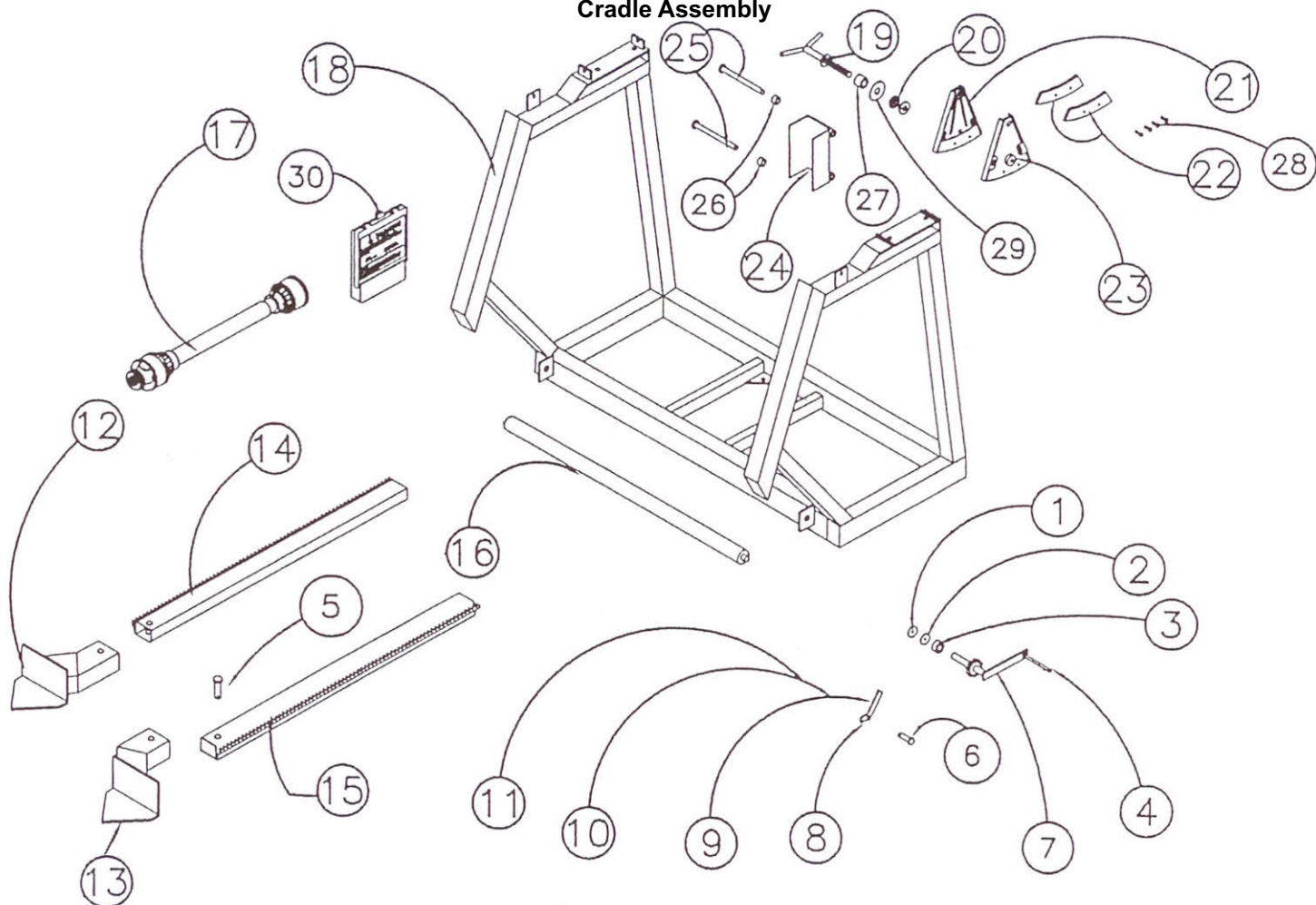
Items Such as common fasteners, grease fitting, and other small parts easy to acquire locally are not listed.

Running Gear Assembly



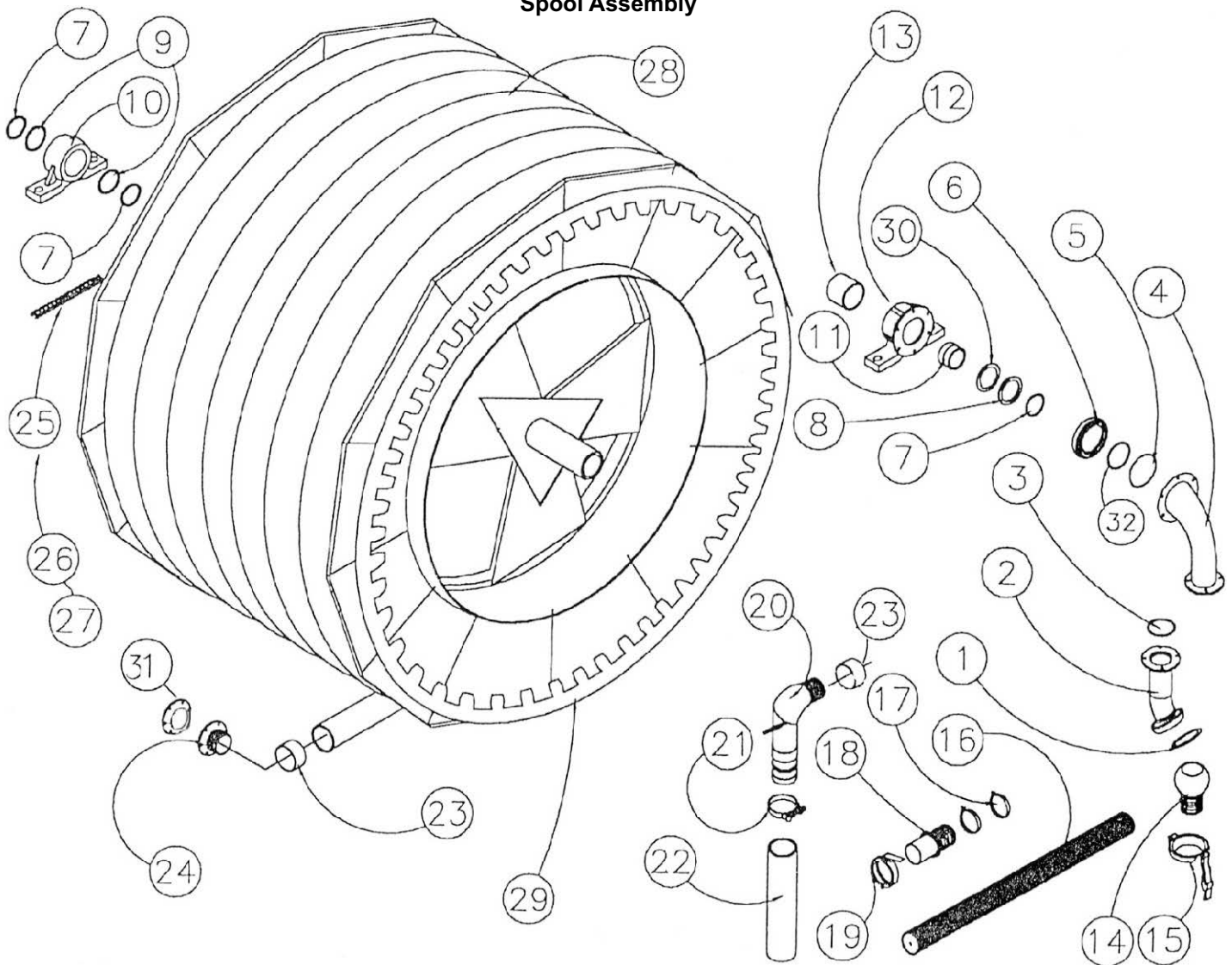
No.	Part Number	Description	Qty.
1a	22750131	WHEEL, 15X8LB 6BOLT 6"BCD	4
1b	52651381	WHEEL, 15X10 6BOLT 6"BCD	4
2a	52655310	TIRE 11L-15 12 PLY	4
2b	52651370	TIRE, 12.5L-15 12 PLY	4
3	58902060	HUB CAP 615-21600#909903	4
4	58902070	NUT,SLOTTED 7/8 WIL912952	4
5	58902040	BEARING,TIMKEN LM25877	4
6	22615982	HUB ASSY,6BOLT W803	4
7	58902030	BEARING,TIMKEN LM25590	4
8	58902050	SEAL,CR20148	4
9	58902020	LUG BOLT 9/16 X 1.12	24
10	58803971	AXLE,T-37-40	4
11	02001777	BEARING,TURNTABLE	1
12	59301390	CHASSIS,40A	1
13	58403300	JACK,TONGUE 41,45,T27-T40	1
14	59403300	CRANK HANDLE	1
15	59301400	TONGUE,40A	1
16	58402130	HITCH, CLEVIS DICO 18078	1
17	55832811	PIN,HITCH 3/4X4-1/8 ZN	1
18	52358660	PIN,HITCH 3/4 X 6-1/2	1
19	58902080	WASHER,SPINDLE WILTON # 912952	4
20	58902000	RACE, INNER LM25520	4
21	59301440	PLATE	2
22	59301480	OUT-RIGGER	2
23	59403240	HANDLE	1
24	56231361	SCREW,CAP ALLEN 1/2X5	1
25	59504830	PIN, 3/4 X 5.75	1
26	58902010	RACE, OUTER 25821	4

Cradle Assembly



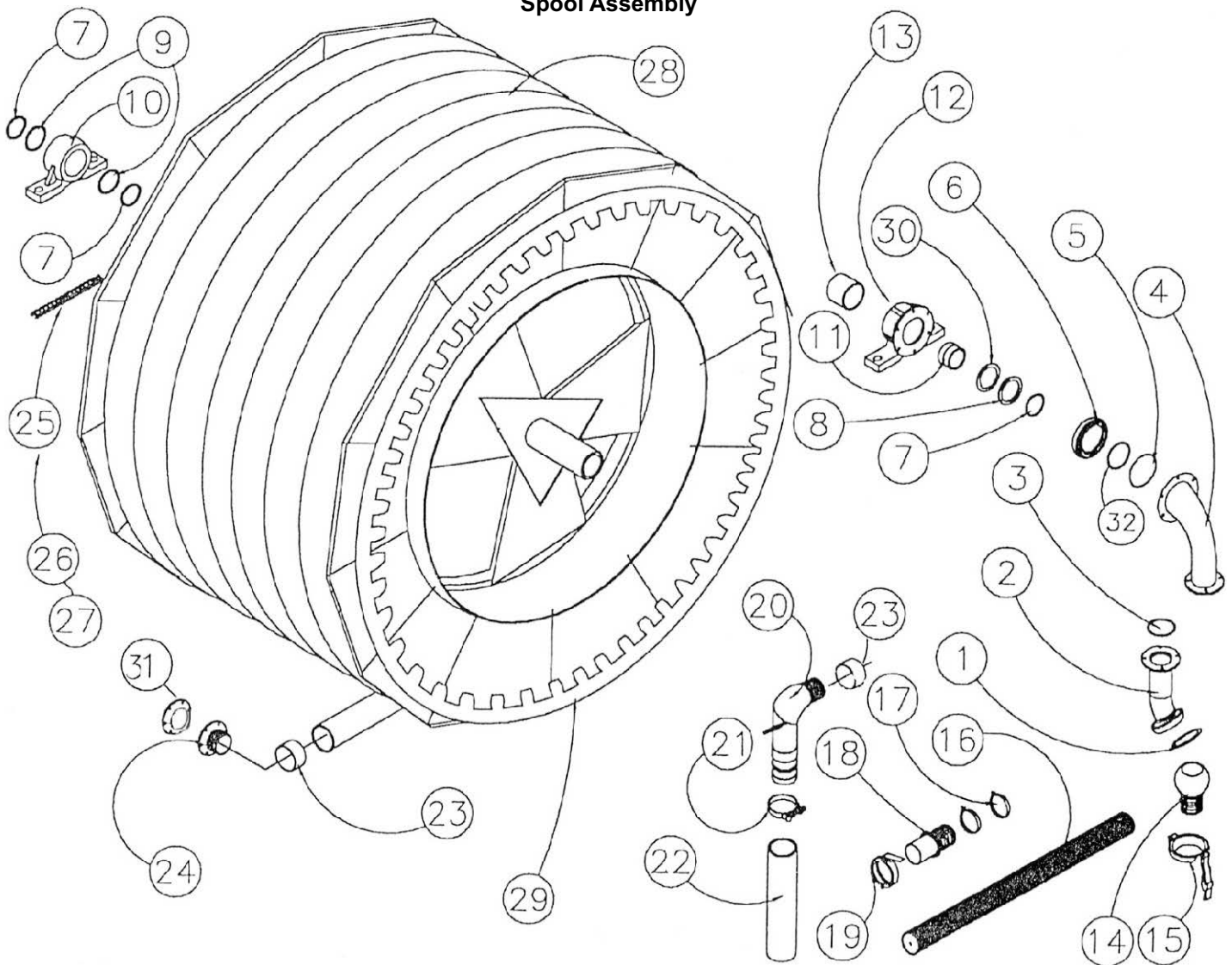
No.	Part Number	Description	Qty.
1	55170011	NUT,10-1.5MM NYLOC	2
2	02099058	NUT	2
3	02099059	SPRING, RUBBER STABILIZER	2
4	02099048	HANDLE	2
5	02099053	PIN	2
6	02099030	PIN	2
7	02099057	HANDLE,CRANK	1
8	02099027	PAWL,RIGHT	1
9	02199027	PAWL,LEFT	1
10	02099028	SPRING,RGHT	1
11	02099029	SPRING,LEFT	1
12	02099054	STABILIZER FOOT,LEFT - FG1	1
13	02099055	STABILIZER FOOT,RIGHT - FG1	1
14	02099051	TUBULAR ROD LEFT	1
15	02099050	TUBULAR ROD RT	1
16a	02002794	ROLLER,HORIZONTAL BASE G	1
16b	02203440	BEARING,6005-2RS	1
17	30036044	SHAFT,PTO60"OAL#1 BUSH	1
18		Cradle, 40 Gear Drive	
19	02201590	SCREW,BRAKE CONTROL	1
20	0220156	WASHER,BRAKE SPRING	2
21	02201581	PLATE,BRAKE	1
22	02204540	BRAKE PAD	2
23	02201571	PLATE,THREADED BRAKE	1
24	02204482	BRAKE MT. (FG1)	1
25	02204532	PIN,20MM X 216MM	2
26	59700890	BUSH,.75 LONG	2
27	59700891	BUSH,1-0 LONG	1
28	55070100	BOLT,8-1.25MM X 20 BR	4
29	55324130	WASHER,FLAT SAE 3/4"	1
30	59701191	HOUSING, OPERATOR MAN.- 370100&DOWN	1

Spool Assembly



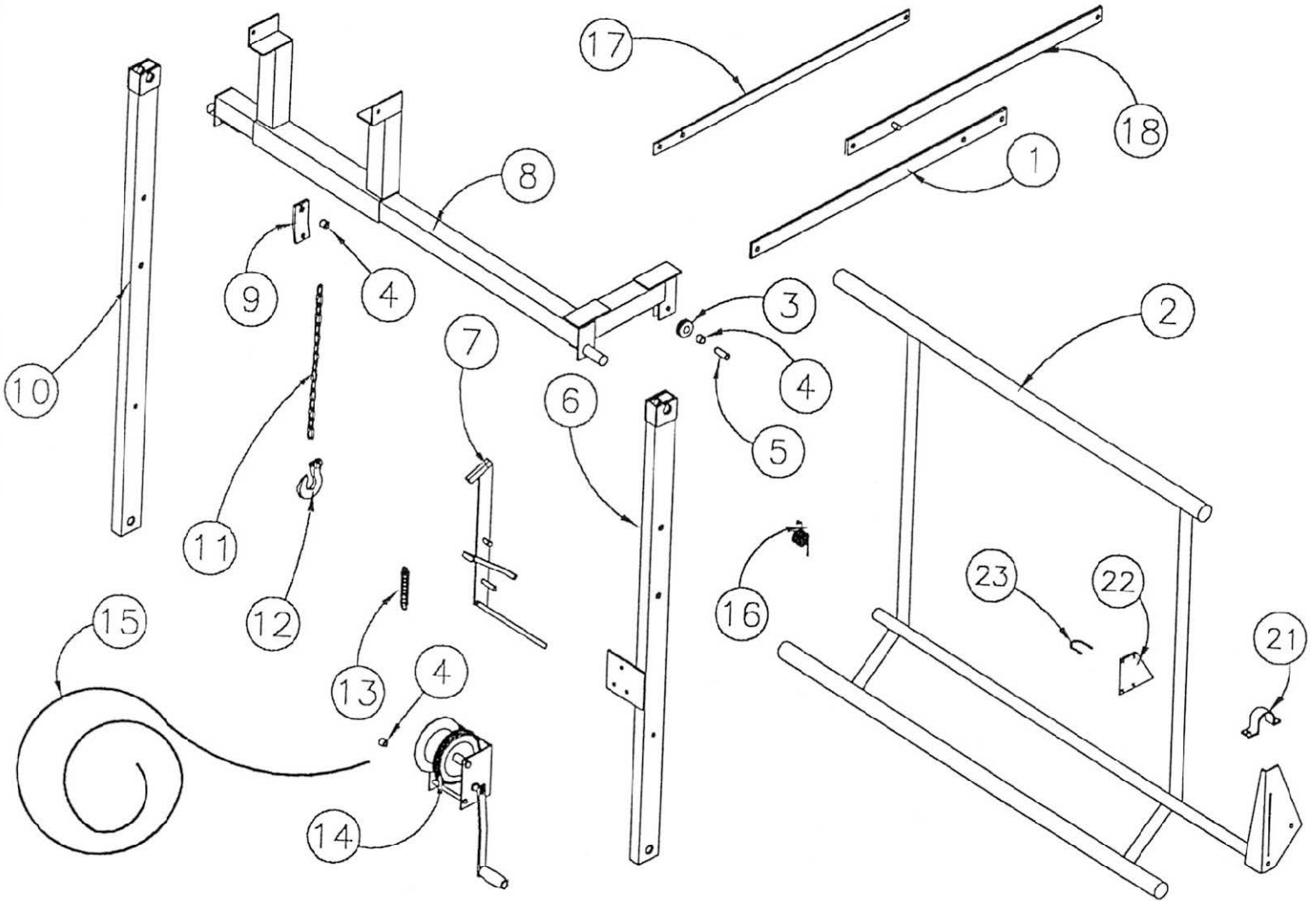
No.	Part Number	Description	Qty.
1	58800233	SEAL RING 4" 6-3/8 OD X 9/16	1
2	02204830	FITTING, ENTRY - 25/120 TURBINE	1
3	02204840	O-RING 104MM X 3.53MM	2
4	02206550	ELBW,40 UPPER	1
5	46548503	O-RING 6-3/4X6-1/2X1/8	1
6	02208502	SEAL KIT,UNIVERSAL FIT-FG1 27K+	1
7	02200440	RING,RET. WITH SCREWS	1
8	02200450	WASHER,SLIP JOINT	3
9	02003832	SPACER	1
10	02003834	BEARING,SPOOL	2
11	59302452	NUT,SLIP JOINT 40	1
12	02003823	BEARING,SPOOL-FG/MG	1
13	02204870	SPACER, FG	1
14	58802561	HOSE END OUTLET - 4" BALL	1
15	58800231	LEVER RING 4" 451 108MM	1
16a	25249620	HOSE, IRR SUPPLY REMNANT 4"(PERFT)	ft. 30
16b	58802840	HOSE ASSY,SUPPLY 4"X30FT	1
17	03019240	SUPRA CLAMP 104MM-112MM	4
18	58802660	HOSE END INLET 4	1
19	40049270	BAND,RING LOCK 4 IN	1
20	02206560	ELBW,PE 120MM - FG1/MG1	1

Spool Assembly



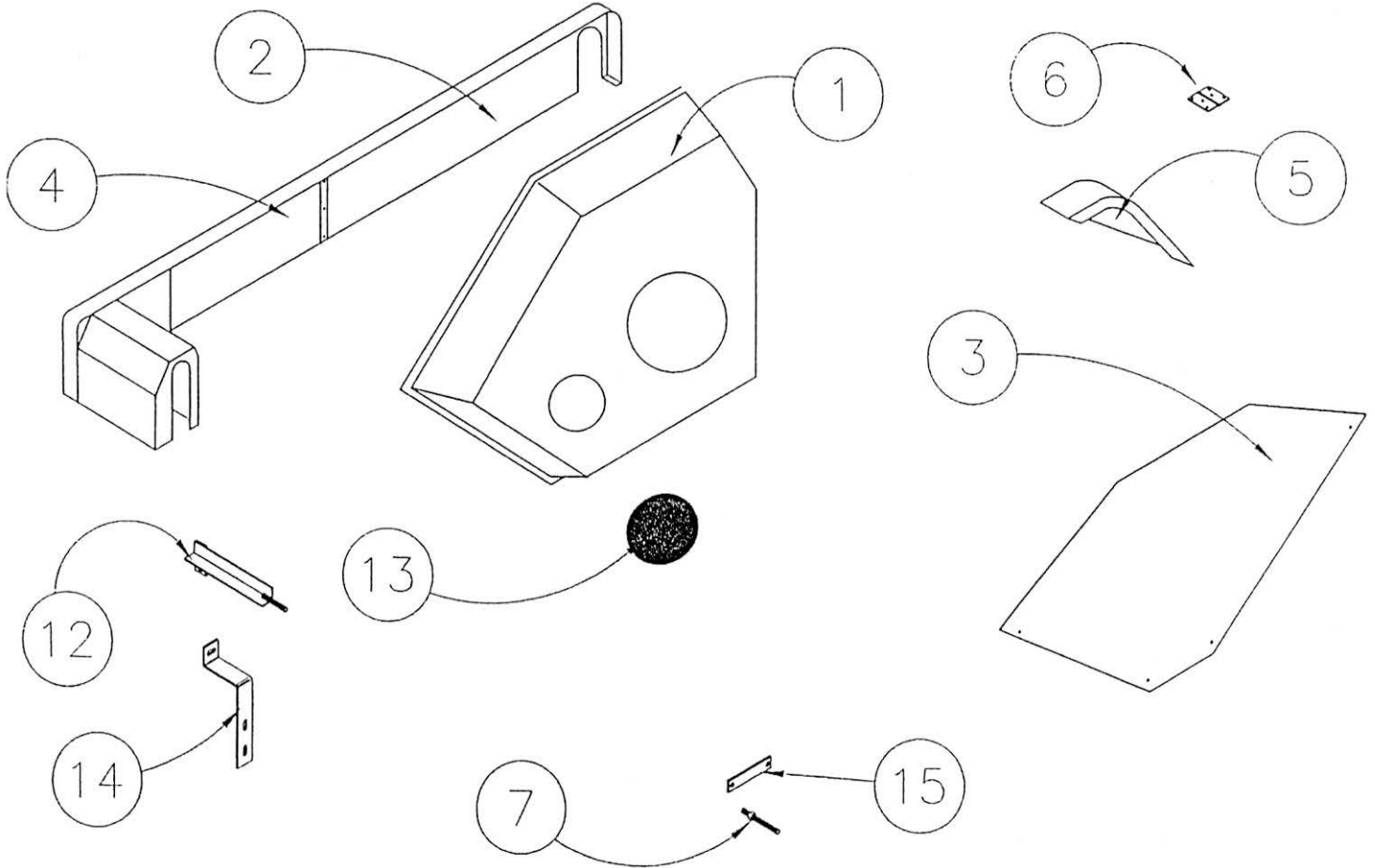
No.	Part Number	Description	Qty.
21	03019768	SUPRA CLAMP 130MM-140MM	4
22	02003831	HOSE,140MMX4-3/4"ID X 40" LONG-FG1	1
23	02003833	BAND, HOSE 120MM	2
24	02003111	TUBE END,120MM X FLANGE	1
25	02001140	CHAIN 1/2 METRIC ROLLER	ft. 14
26	02201110	LINK 1/2 CONNECTOR	1
27	02201100	LINK,1/2" OFF-SET METRIC	1
28a	58401730	TUBE,PE 120MM X 4.0 ID X 1250 FT	1
28b	58401732	TUBE,PE 120MMX4.0IDX1350FT	1
29	02206580	SPOOL, COMPLETE - FG1	1
30	02200460	RING,ANTIFRICTION	1
31	02099202	GASKET, 5.75"BCD 4.3 ID	1
32	46548502	O-RING 5-3/4X5-1/4 90DURO	1
33	59603020	WASHER,SPOOL BEARING 40	8
34	25249392	TUBE,SYNFLEX 5/16 OD	ft. 5
35	52549152	FTG,TB 90 1/4NNPTX5/16TUB	1

Shutoff/Boom



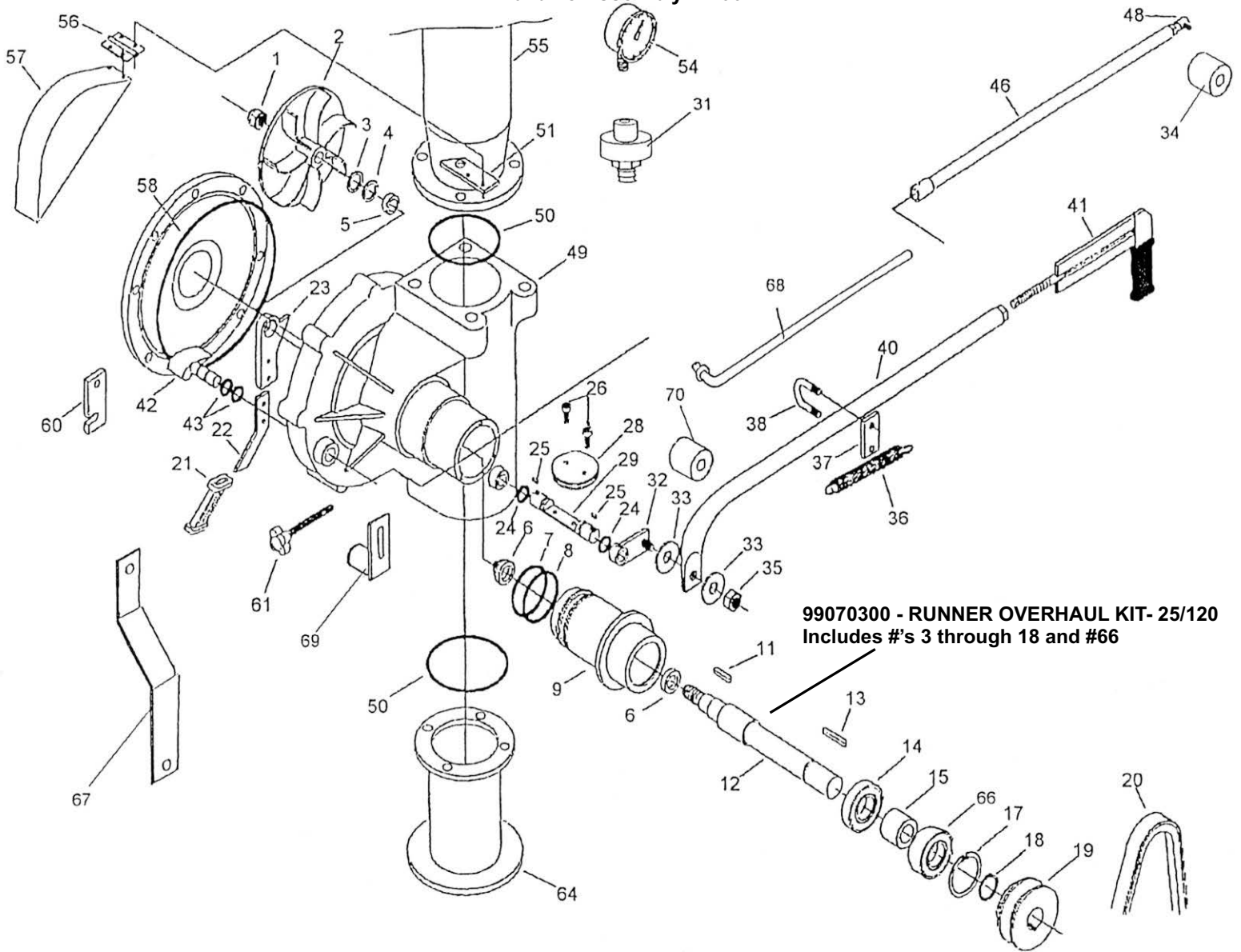
No.	Part Number	Description	Qty.
1	59500670	BRACE	2
2	02204930	SHUT OFF BAR FG1	1
3	40249060	PLLY,WRP17/32X2X7/8B STL	1
4	32551910	BUSH,STL.843X.56X.62L	4
5	59500540	BUSH,STL 3/4X.51X1.75L	1
6	59403391	ARM,LIFT	1
7	59404760	BOOM,CATCH	1
8	59403491	BOOM,LIFT ASSM.	1
9	59500730	LINK,BOOM CHAIN	2
10a	59403361	ARM,LIFT	1
10b	59501980	BUSH,STL 1-1/8X.88X1.38	2
11	85040600	CHAIN,3/8 PROOF COIL PLTD	ft. 1.8
12	52355650	HOOK,CLEVIS SLIP 3/8 ZN	2
13	45035360	SPRING TNSN 1 X 6 PLATED	1
14	40048551	WINCH FULTON K 1550	1
15	75048440	CABLE,1/4-7X19 GAC PER FT	ft. 12
16	02000166	SPRING, COIL - SHUT OFF	1
17	59500690	TRANSPORT STRAP	2
18	59500680	BRACE	2
20	02201631	Cap Plug	4
21	02000164	RETAINER	1
22	59703420	STOP COMP	1
23	02206650	U-BOLT 1" M6	2

Shield Group



No.	Part Number	Description	Qty.
1	02206590	HOOD,SIDE 40	1
1b	59702810	LATCH,RUBBER DRAW	2
2	02201232	GUARD, LEVELWIND TOP - FG1	1
3	59300394	SHIELD SPOOL 40 320,000UP	5
4	02201220	SHIELD, LEVELWIND BOTTOM	1
5	02203880	SHIELD, BELT	1
6	02203890	HINGE	1
7	59600290	HOOD MT. STUD FRONT	1
12	59700870	HOOD MT, TOP	1
13	02205400	DOOR	1
14	59700830	HOOD MT.	1
15	59506651	PLATE,HOOD MT.REAR	1

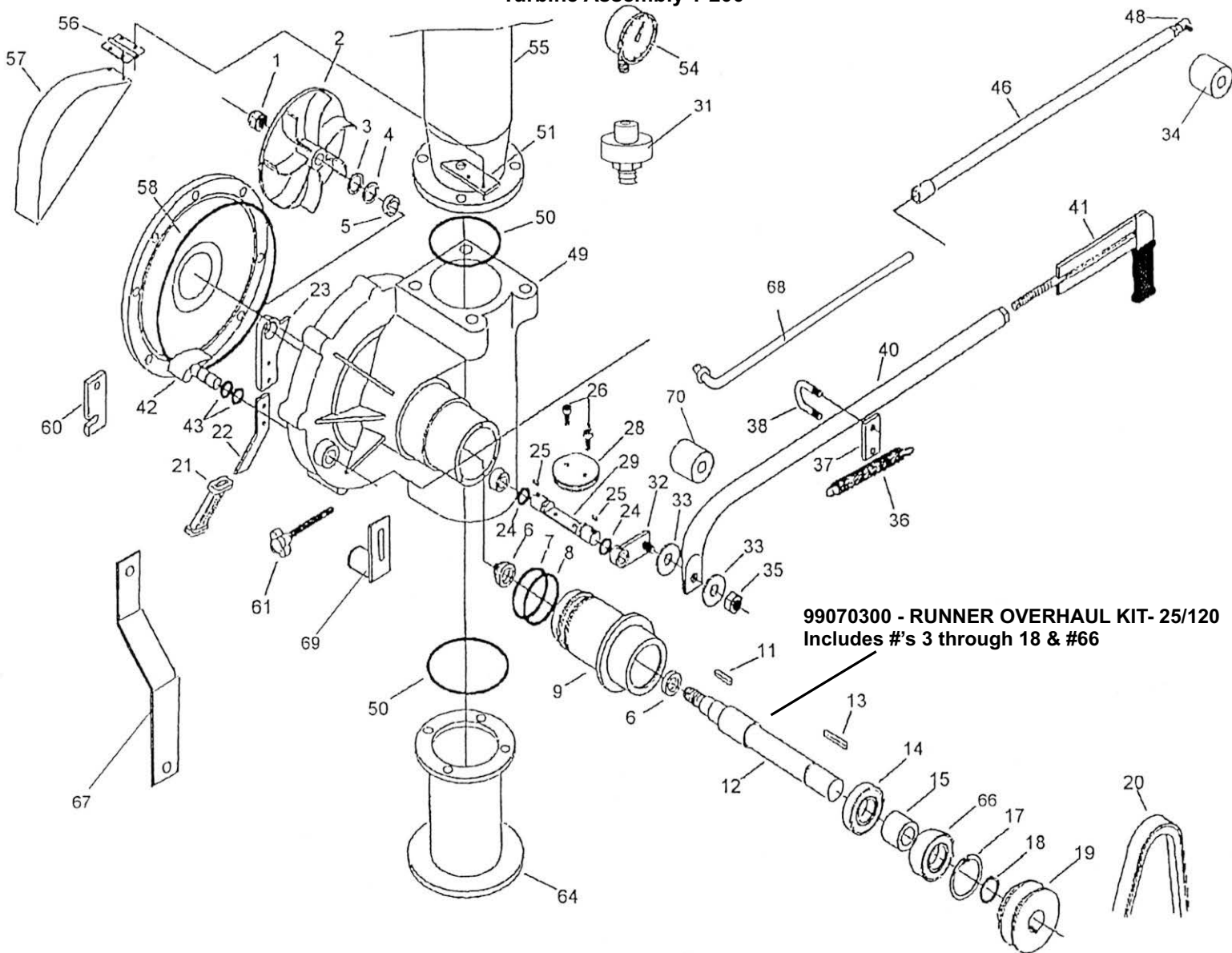
Turbine Assembly T-200



99070300 - RUNNER OVERHAUL KIT- 25/120
Includes #'s 3 through 18 and #66

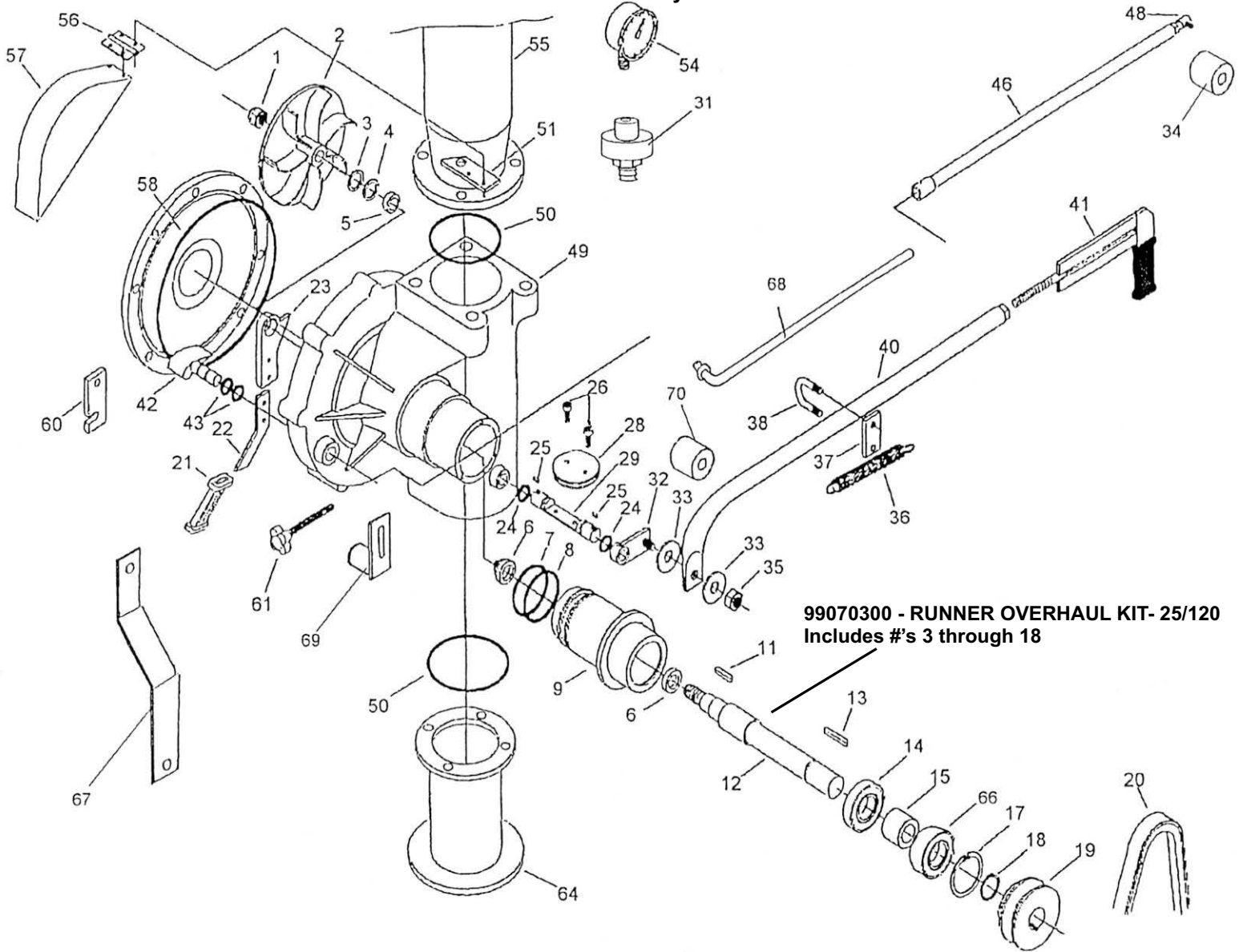
No.	Part Number	Description	Qty.
1	02201980	NUT,SELF LOCKING M14 X1.5	1
2	02201993	IMPELLER 6.77ODX.87 VANE	1
3	02205430	SHIM,MYLLAR 16.2X23.8X.25	2
4	02203002	SPACER,25MM X 16MM X 15.5MM LONG	1
5	02205440	SPACER 25MM X 20MM X 5MM	1
6	02205450	SEAL,20 X 6	1
7	02205460	O-RING 4MM X 54MM	2
8	02205461	O-RING 2.36 ID X .103 C/S	1
9	02205480	TURBINE HUB T 200 25/120	1
11	02203370	KEY 5 X 10	1
12	02205500	SHAFT,IMPELLER 25/120	1
13	02205510	KEY 6 X 50	1
14	02201670	BEARING,6204-2RS	1
15	02205521	SPACER 1.795 LONG	1
17	02203240	STOP RING I47	1
18	02203230	RETAINING RING E20	1
19	02205920	PLLY,100MM,75MM,53MM3STEP W/SETSCR	1
20	02206630	BELT,A-87	1
21	02204140	HAND GRIP MOD. 1040-20X6	1
22	02205570	LEVER,BY-PASS	1
23	02205580	LEVER, BY-PASS - 25/120	1

Turbine Assembly T-200



No.	Part Number	Description	Qty.
24	02205590	O-RING 15.54MM ID X 2.6MM	2
25	02203190	KEY 6X10	2
26	02203050	SCREW,6-1MM X 16MM	2
28	02205620	DISC,BY PASS	1
29	02205632	SHAFT,BYPASS W/GROOVES	1
31	59901460	GAUGE PROTECTOR	1
32	02205640	BY-PASS LEVER	1
33	02205650	WASHER,10 X 30	2
34	02206600	SPACER, 1" OD X 2.4" 8MM THREAD-FG1	1
35		Nut, M10	1
36	02203180	SPRING BELT TIGHTENER	1
37	02203170	PLATE,CLAMP	1
38	02203120	U-BOLT	1
40	02205741	ROD, BY-PASS - FG1 67" END TO END	1
41	02203162	U-BOLT	1
42	02205660	REGULATOR FLAP WITH PIN	1
43	02203310	O-RING 8.73MM ID X 1.78MM CS	2
46	02205691	BY-PASS ROD 63.7" LONG FG1	1
48	02203410	ROD END	1
49	02203021	BODY,TURBINE 25/120	1
50	02204840	O-RING 104MM X 3.53MM	2

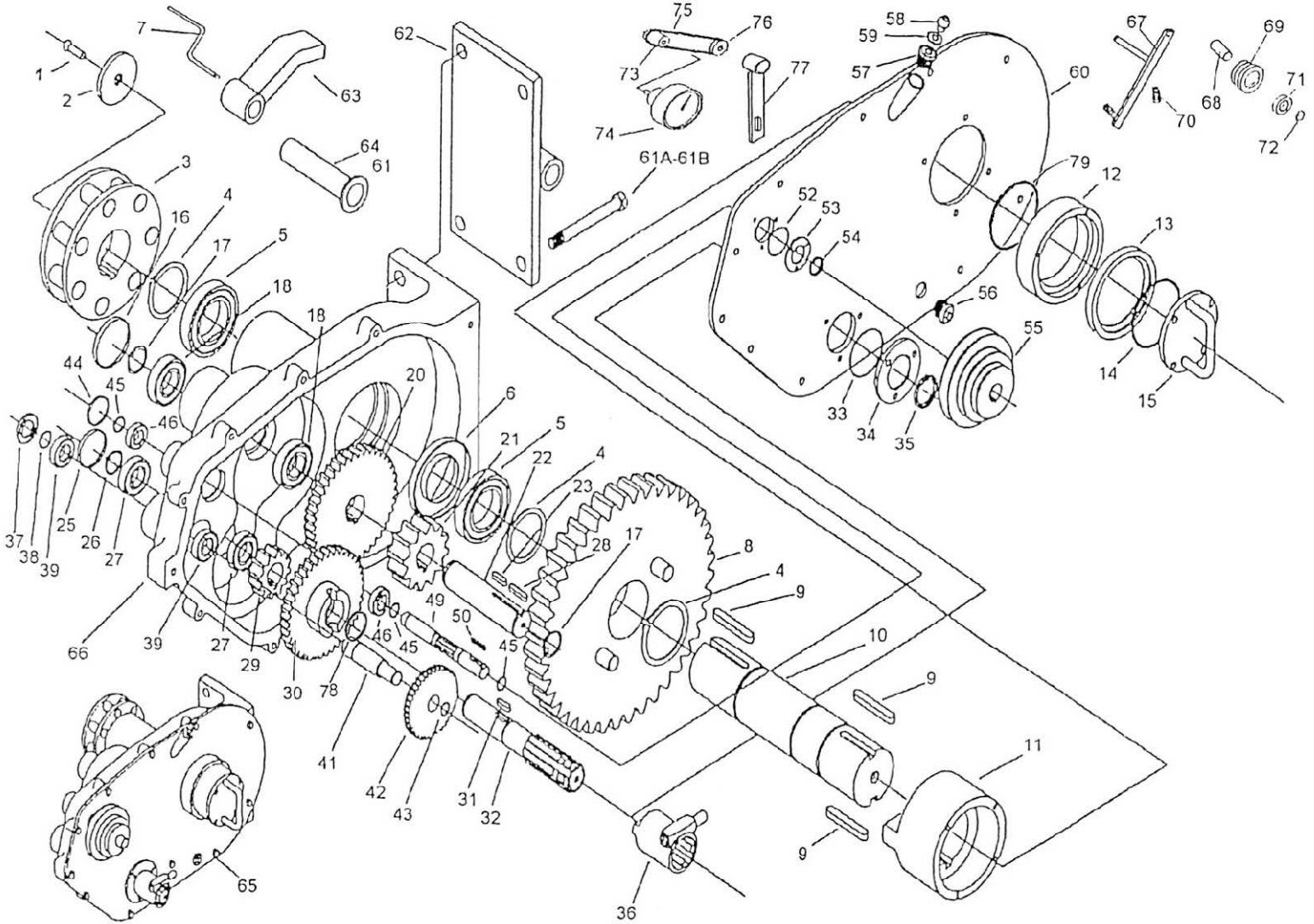
Turbine Assembly T-200



99070300 - RUNNER OVERHAUL KIT - 25/120
Includes #'s 3 through 18

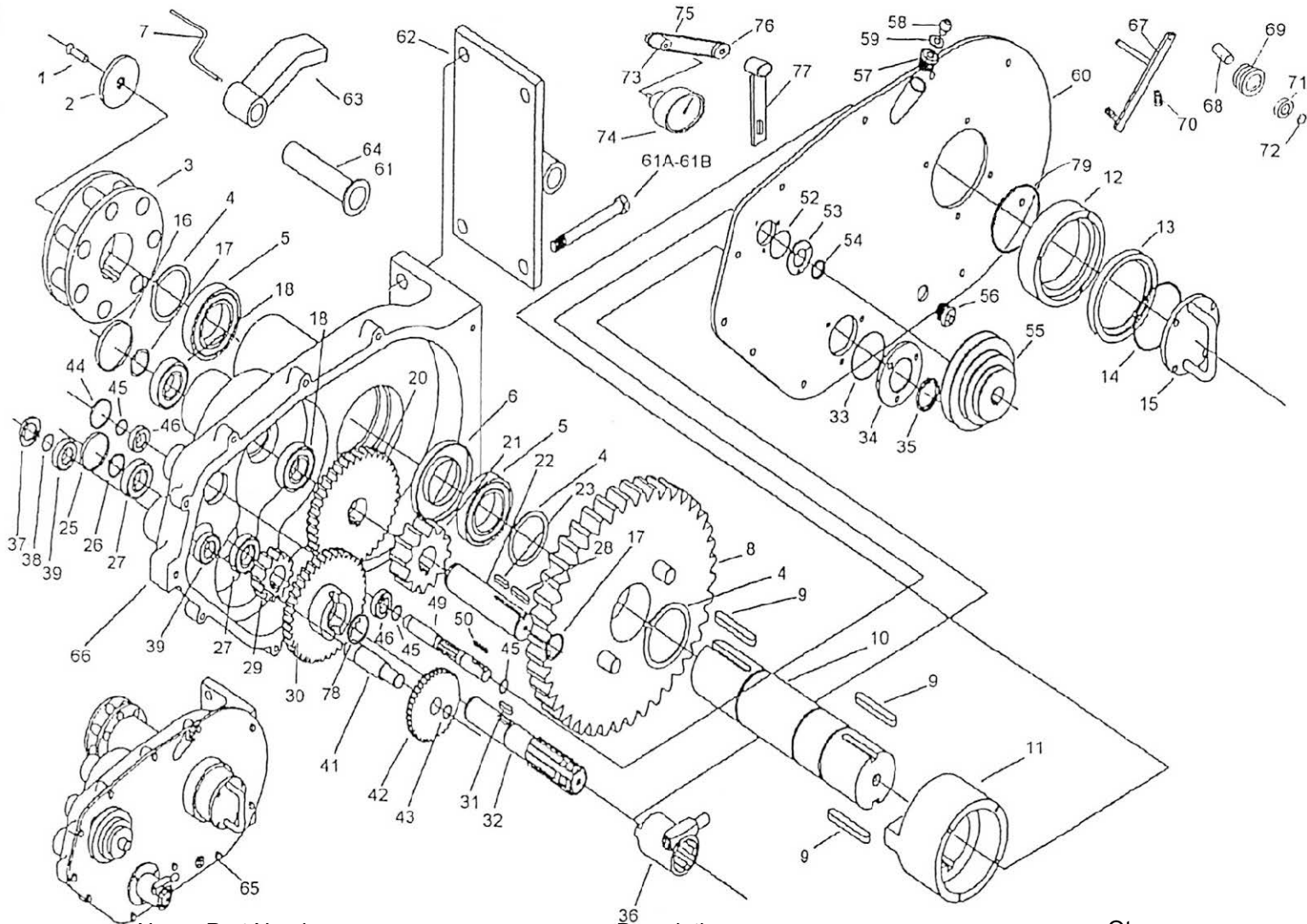
No.	Part Number	Description	Qty.
51	02205710	SUPPORT - FG1	1
54	58606750	GAUGE, PRESS 0-300	1
55	02206550	ELBW,40 UPPER	1
56	02203890	HINGE	1
57	02203880	SHIELD, BELT	1
58	02205720	O-RING 278.99MM ID X 3.53C/S	1
60	02205730	PLATE, STOP 25/120	1
61	02203910	HAND WHEEL KNOB	1
64	02203081	FITTING, ENTRY - 25/120 TURBINE	1
65	99070300	KIT, RUNNER OVERHAUL - 25/120	1
66	02201671	BEARING,5204-2RS	1
67	02206480	ARM, COMPENSATION - FG1	1
68	02206490	ROD, INNER COMP. AA AND A1	1
69	02206500	LOOP, COMPENSATOR - 10/50, 25/120	1
70	02206610	SPACER, 10MM THREAD - FG1	1

Gearbox & Drive Train Group



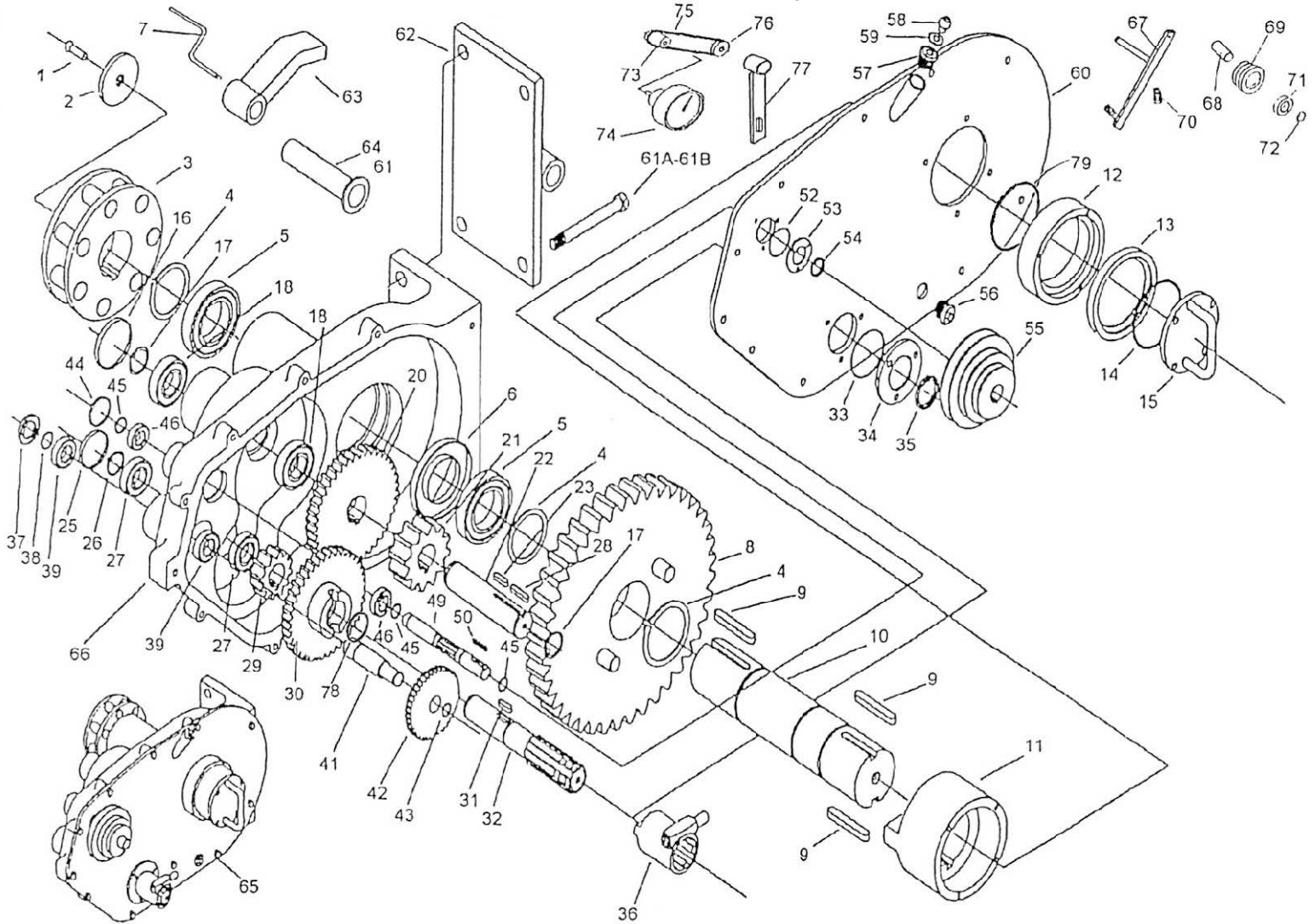
No.	Part Number	Description	Qty.
1	55070110	SCREW 10MMX25MM ALEN FLAT	1
2	02205060	WASHER,SPECIAL	1
3	02206070	PINION Z7 PIN DIA 26MM	1
4	02206080	SNAP RING E-55	3
5	02205010	BEARING,6211-2RS	2
6	02206090	SEAL 21660	1
7	59700880	PAWL RETAINER	1
8	02206100	PINION MGZ52	1
9	02206110	KEY 12MMX10MMX55MM	3
10	02206120	SHAFT	1
11	02206130	Clutch R521	1
12	02206140	CLUTCH,FLANGE	1
13a	02206890	SEAL,CHEVRON 105MM ID	1
13b	02206860	SEAL RETAINER RING	1
14	02206850	O-RING,3.359"ID X .139"CS	1
15	02206170	CLUTCH CAP	2
16	02206180	PLUG DIA 80	2
17	02206190	SNAP RING, E40	1
18	02204620	BEARING,6208-2RS	1
20	02206200	Pinion z64 m3 dia.40	1
21	02206210	PINION	1
22	02206220	SHAFT	1
23	02206230	Key 12MM X 70MM	1

Gearbox & Drive Train Group



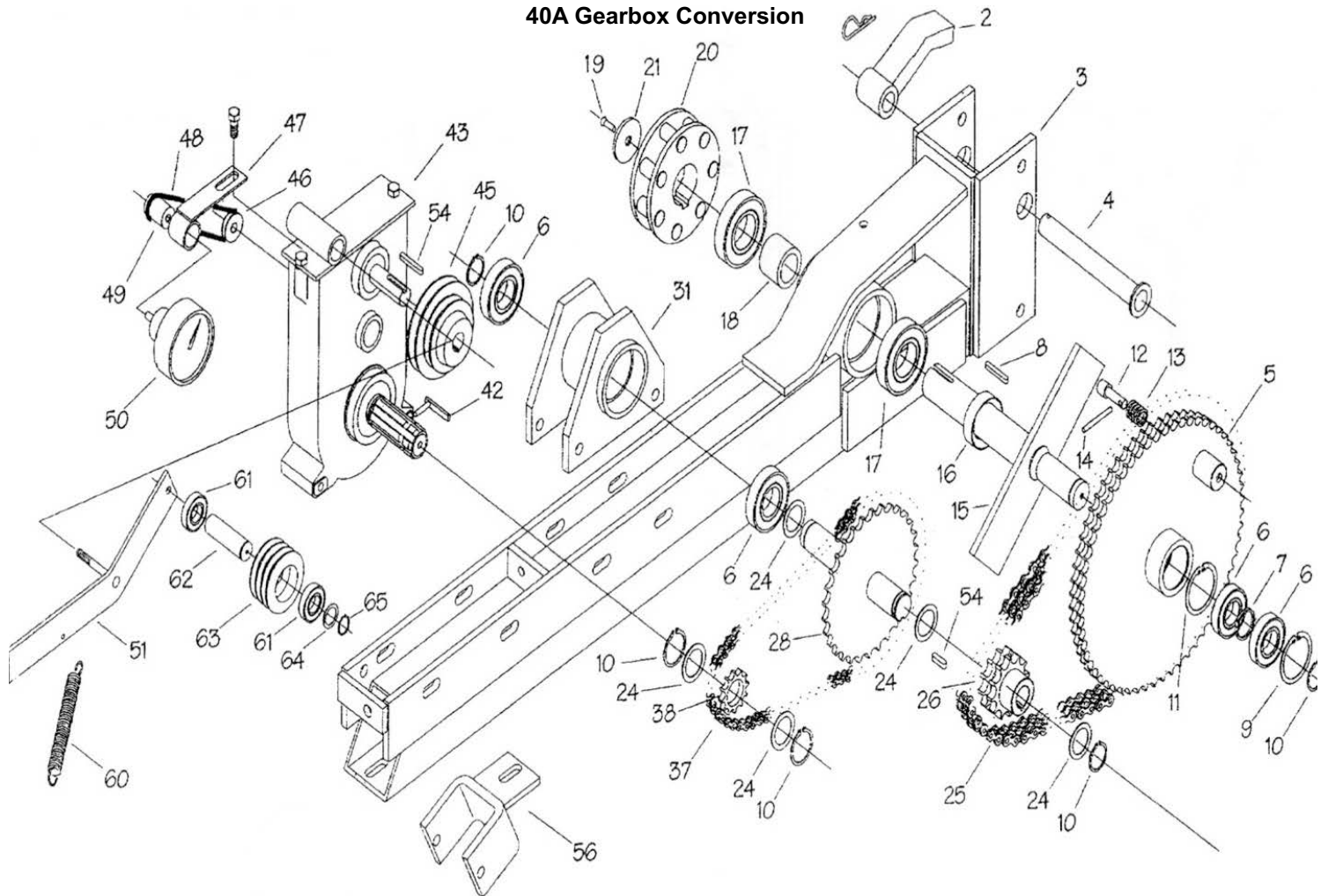
No.	Part Number	Description	Qty.
25	02206240	PLUG DIA 62	1
26	02201870	STOP RING E30	1
27	02099195	BEARING,6206-2RS	2
28	02203510	KEY, 10MM X 8MM X 30MM	1
29	02206250	PINION	1
30	02206260	PINION M2 Z80	1
31	02203510	KEY, 10MM X 8MM X 30MM	1
32	02206270	SHAFT,PTO DIA 30	1
33	02206280	O-RING,2.487"ID X .103"CS	1
34	02206290	PTO flange	1
35	02206300	SEAL,OIL 44MMX60MMX10MM	1
36	02206310	CLUTCH,JAW	1
37	02206320	SEAL 25MMX47MMX10MM	1
38	02201680	RETAINING RING E20	2
39	02203440	BEARING,6005-2RS	2
41	02206330	SHAFT DIA 25	1
41	02206340	DOUBLE PINION	1
44	02206350	PLUG DIA 47 X 7	1
45	02203420	SNAP RING E25	3
46	02201670	BEARING,6204-2RS	2
49	02206360	SHAFT,INLET	1
50	02203190	KEY 6X10	1
52	02206370	O-RING 1.3"ID X .103"CS	1
53	02206380	FLANGE,INLET	1
54	02206390	SEAL 7909	1

Gearbox & Drive Train Group



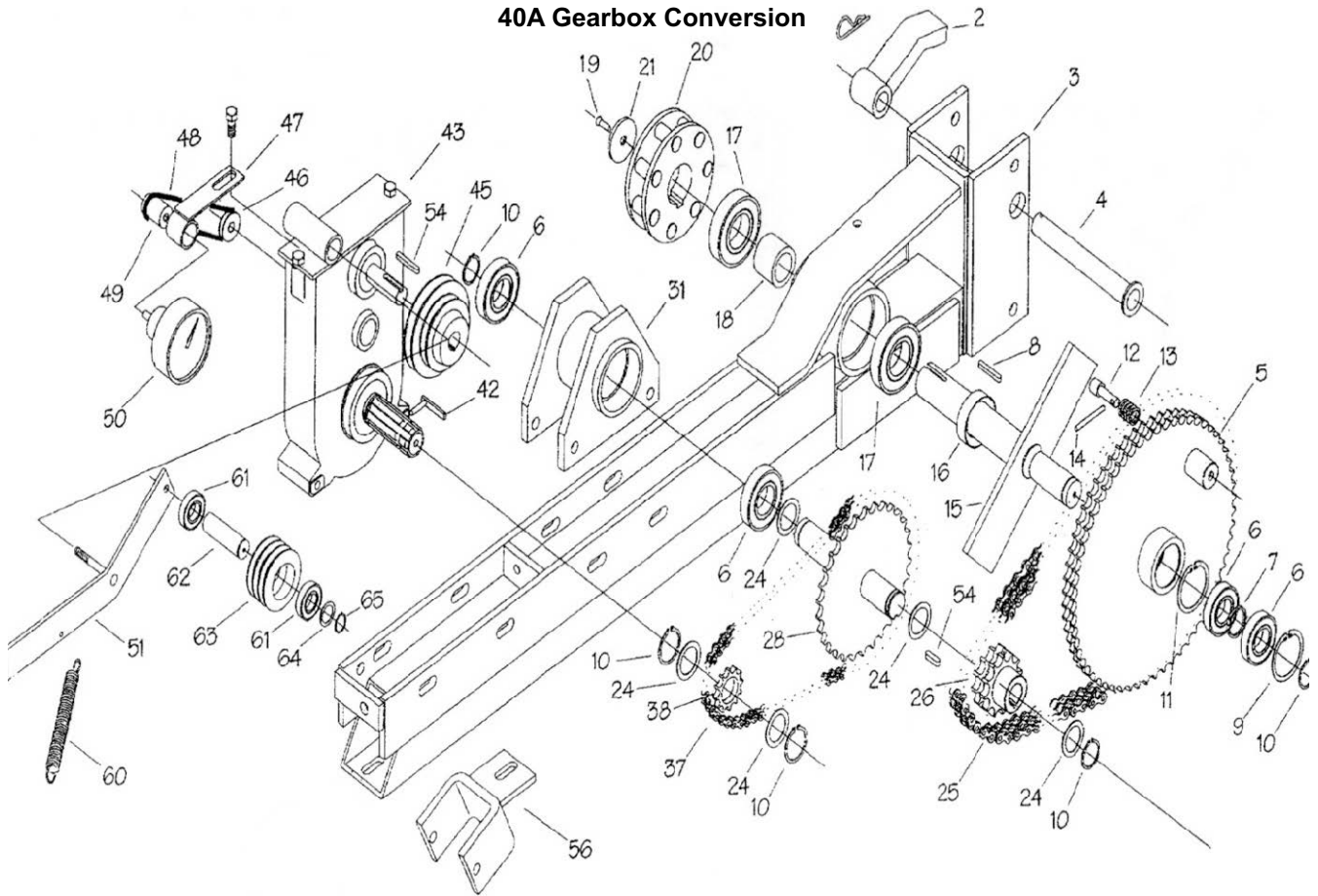
No.	Part Number	Description	Qty.
55	02205930	PLLY,3 STEP 100,125,147 W/SETSCRW	1
56	52502620	PLUG,GLV SQ HD 1/4	1
57	02206400	Plug, F.3/4	1
58	02206410	BREATHER, 1/4"	1
59	02206420	Washer	1
60	02206430	Gearbox Cover	1
61a		Screw 16-2.0mm x 150mm	2
61b		Screw 16-2.0mm x 160mm	2
62	02206440	Mounting Plate	1
63	02205210	PAWL,NON RETURN FG1 & FF1	1
64	02205200	PIN, ANTI REVERSE	1
65	02206450	GEARBOX ASSEMBLY	1
66	02206460	Gearbox Body	1
67	02206511	Lever for Belt	1
68	02206530	SHAFT,BELT IDLER	1
69	02206540	PULLEY IDLER 3 GROOVE	1
70	02203180	SPRING BELT TIGHTENER	2
71	02203440	BEARING,6005-2RS	1
72	52662540	RING,RET EX	1
73	59404411	PULLEY,TACH .966	1
74	02201200	TACHOMETER ASM,0-400 FT/HR A SERIES	1
75	02203661	BELT, TACH, DIA 3.5MM X 590MM	1
76	02206640	PULLEY TACH	1
77	02203671	METER COUNTER SUPRORT	1
78	02206770	O-RING 4MM X 30MM	1
79	02206160	O-RING,4.737"ID X .103"CS	1

40A Gearbox Conversion



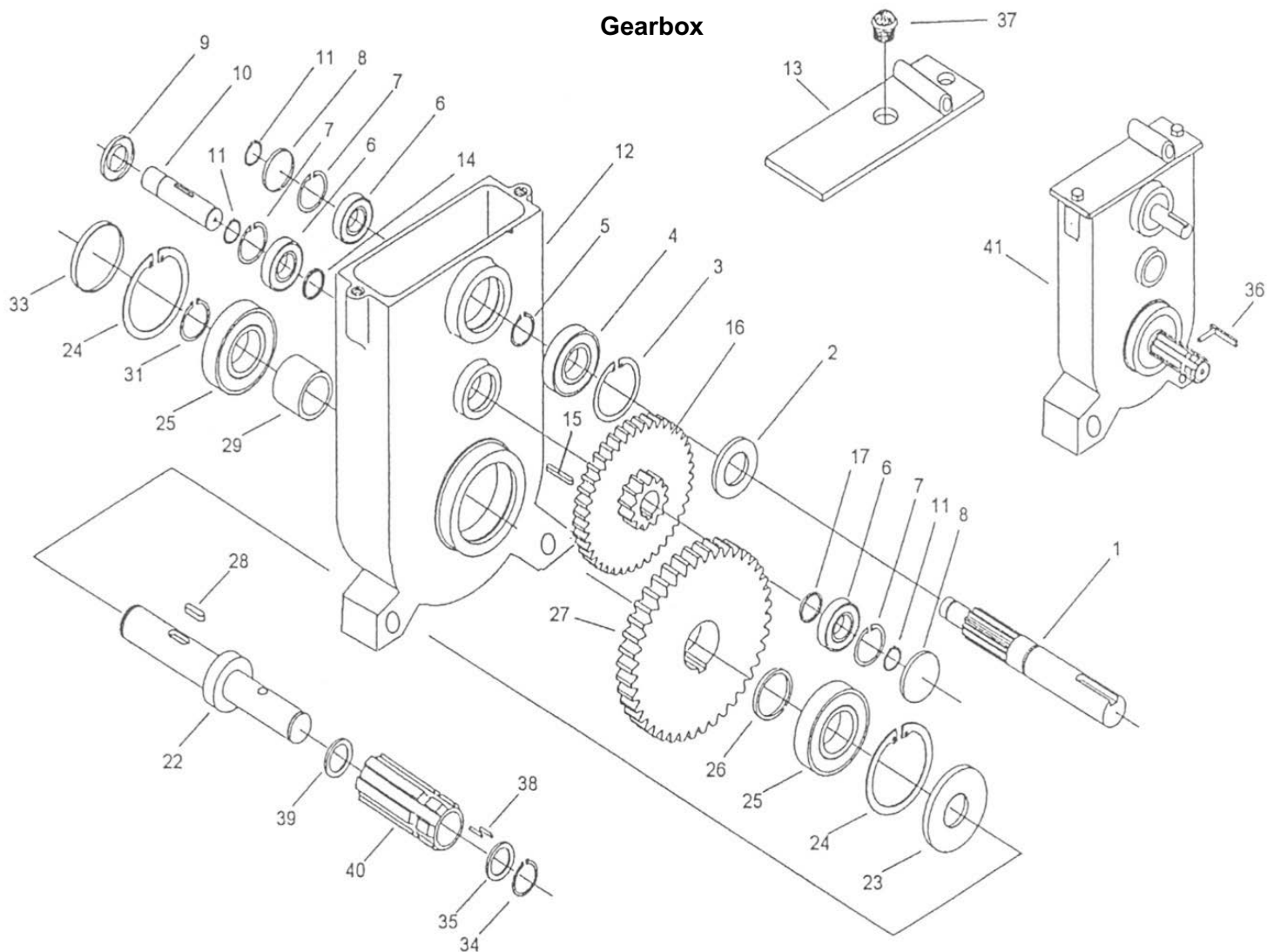
No.	Part Number	Description	Qty.
2	02205210	PAWL, NON RETURN FG1 & FF1	1
3	02208060	FRAME, POWERTRAIN SUPPORT - FG1	1
4	02205200	PIN, ANTI REVERSE	1
5	02204960	SPROCKET ASM 3/4" Z60 DOUBLE	1
6	02203530	BEARING, 6207-2RS	4
7	02204950	SPACER	1
8	02216300	KEY 16MM X 50MM	1
9	02204940	SNAP RING I72	2
10	02205340	SNAP RING E35	5
12	02203490	PIN	1
13	02203470	SPRING	1
14	02203480	PIN	1
15	02204980	SHAFT DIA. 55 002707/A	1
16	02205000	SPACER	1
17	02205010	BEARING, 6211-2RS	2
18	02214700	SPACER, 55MM JACKSHAFT - FG1/MG2	1
19	55070110	SCREW 10MMX25MM ALLEN FLAT	1
20	02206070	PINION Z7 PIN DIA 26MM	1
21	02205060	WASHER, SPECIAL	1
24	02205350	SPACER, 1.765X1.385X .038	2
25	87548473	CHAIN 3/4"-2DW RLLR PER FT (77P)	ft. 4.8

40A Gearbox Conversion



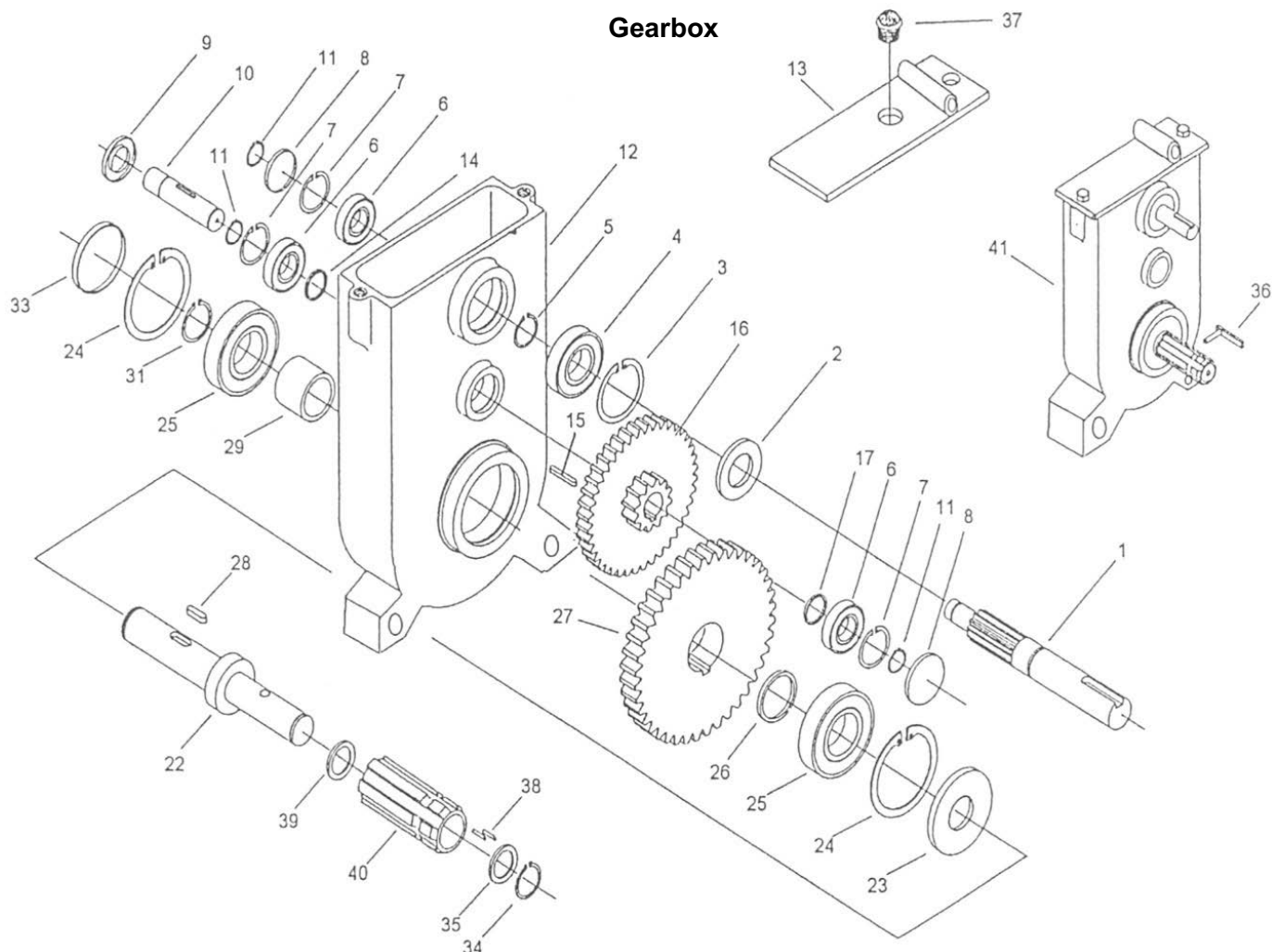
No.	Part Number	Description		Qty.
26	02205110	SPROCKET 3/4"Z13 002945		1
27	02203510	KEY, 10MM X 8MM X 30MM		1
28	02205090	SPROCKET 5/8"Z52 003591		1
31	02205030	BEARING,SUPPORT		1
32	02213110	SPACER 35 X 7		1
37	02001141	CHAIN 5/8 METRIC ROLLER PER FT. (68P)	ft.	3.6
38	02205140	SPROCKET 5/8"Z13 002445/B		1
42	02201910	SAFETY KEY & THREADED PIN		1
43	02204393	GEARBOX FF1,A1,D2,S/N330,000FWD		1
45	02205930	PLLY,3 STEP 100,125,147 W/SETSCRW		1
46	02206640	PULLEY TACH		1
47	02203670	BRACKET, TACHOMETER		1
48	02203660	BELT,DIA 3.5		1
49	59404411	PULLEY,TACH .966		1
50	02201200	TACHOMETER ASM,0-400 FT/HR A SERIES		1
51	02207450	ARM, IDLER - D2/FF1/FG1/MF1/MG1/2		1
54	02203510	KEY 10MMx8MMx30MM		1
56	02216460	END SUPPORT		1
60	02203180	SPRING BELT TIGHTENER		1
61	02203440	BEARING,6005-2RS		2
62	02206530	SHAFT,BELT IDLER		1
63	02206540	PULLEY IDLER 3 GROOVE		1
64	02207030	SPACER 1MM X 25MM X 35MM		1
65	52662540	RING,RET EX		1

Gearbox



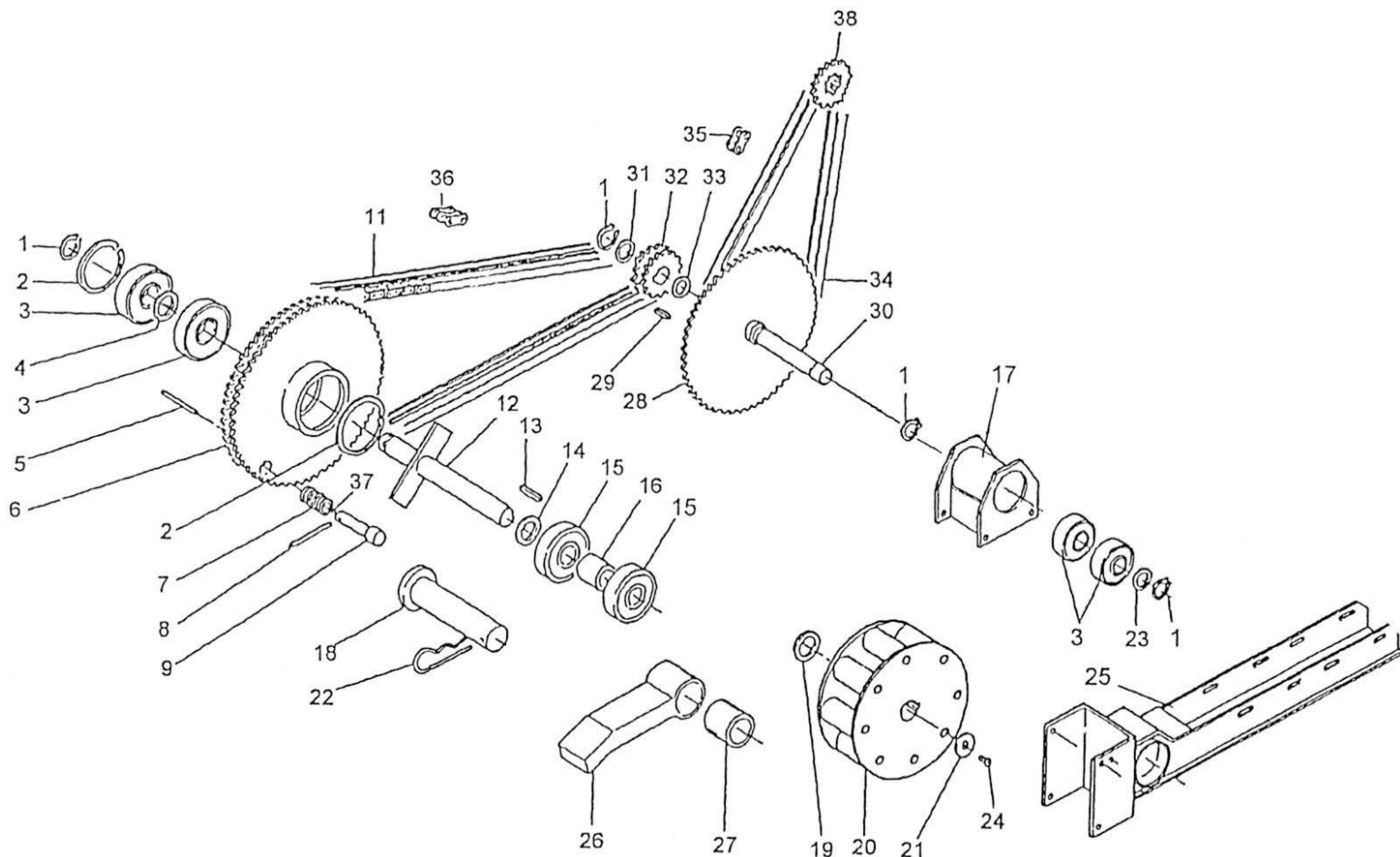
Gearbox			
No.	Part Number	Description	Qty.
1	022-0164-2	Shaft, (Pin Z 12M x 1.5)	1
2	022-0165-0	Oil Retainer Dia. 20 x 47 x 7	1
3	022-0166-0	Stop Ring 147	1
4	022-0167-0	Bearing 6204 2RS	1
5	022-0168-0	Stop Ring E20	3
6	022-0169-0	Bearing , 6201	3
7	022-0170-0	Stop Ring 132	2
8	022-0171-0	Plug, Dia. 132	1
9	022-0172-0	Oil Retainer Dia. 12 x 32	1
10	022-0173-0	Shaft	1
11	022-0174-0	Stop Ring E12	3
12	022-0196-1	Gearbox Body	1
13	022-0197-1	Gearbox Cover	1
14	022-0175-0	Shim, i12 x .5	1
15	022-0176-0	Key 4 x 10	1
16	022-0177-2	DOUBLE PINION Z12 M2/Z80 M1.5	1
17	022-0178-0	Shim i12 x 1	1

Gearbox



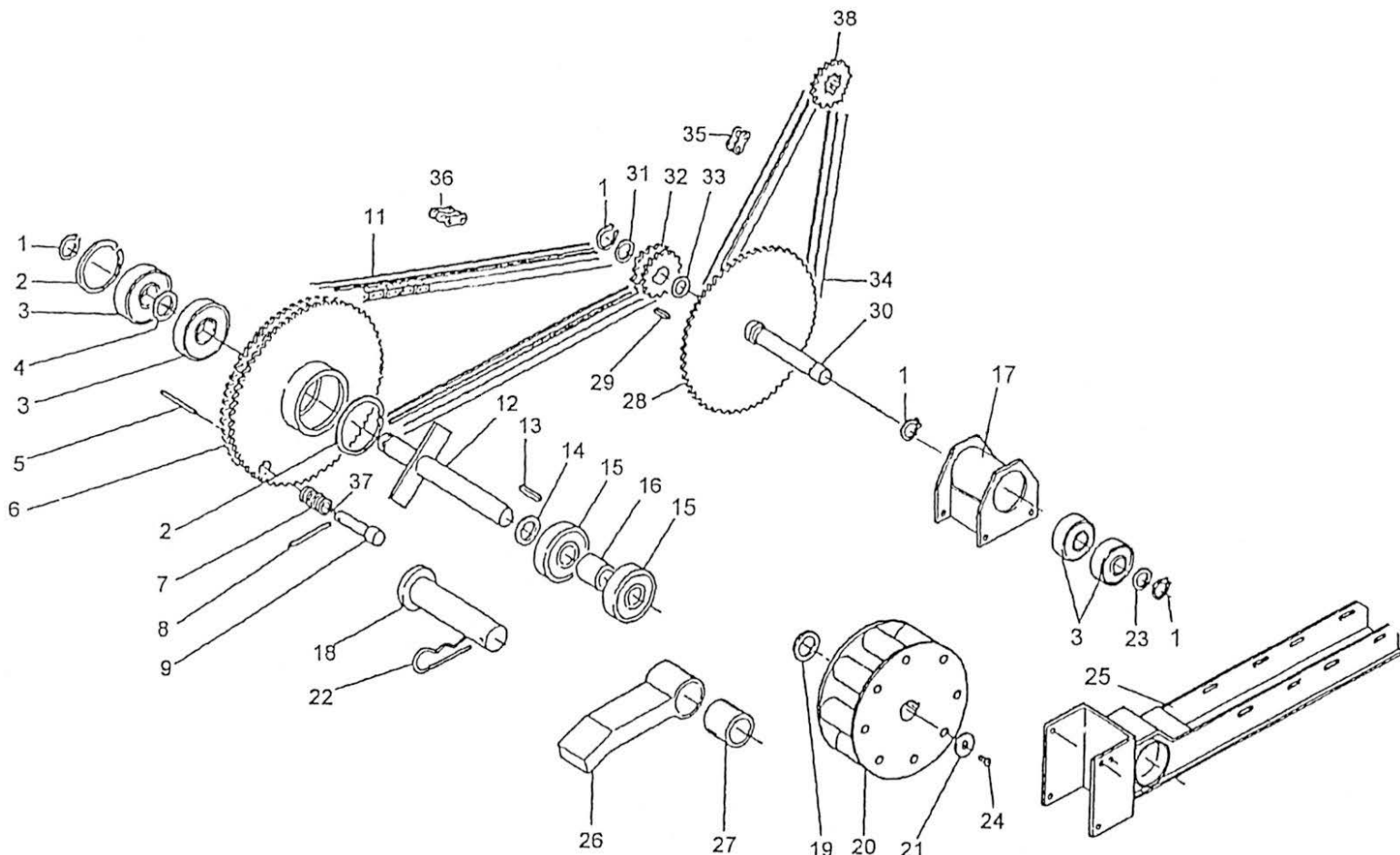
22A	022-0179-0	Output Shaft	1
22B	022-1026-0	Shaft Assembly Complete	1
23	022-0180-0	Oil Retainer Dia. 35 x 62 x 7 mm	1
24	022-0181-0	Stop Ring i62	2
25	022-0182-0	Bearing 6206 (no seals)	2
26	022-0183-0	Shim i 30 x .5	1
27	022-0184-2	Pinion Z72 M2	1
28	022-0185-0	Key, 8mm x 8mm x 20mm Long	1
29	022-0186-0	Spacer, Dia. 33 x 42 x 19.5 TH 19.5	1
31	022-0187-0	Stop Ring E30	1
33	022-0188-0	Plug Dia. 62	1
34	022-0189-0	Stop Ring E18	1
35	022-0190-0	Spacer Dia. 18 x 2.8	1
36	022-0191-0	Safety Key & Threaded Pin	1
37	022-0641-0	Breather	1
38	022-0193-0	Bearing Pins Dia. 2 x 17.8	62
39	022-0194-0	Spacer i22 x 2.8	1
40	022-0195-0	Splined Pin	1
41	022-0439-3	Gearbox 40.0 to 1 Complete	1
42	022-0121-0	Shield, PTO Cover (Not Shown)	1
43	022-0479-0	PTO Rewind Crank (Not Shown)	1

Drive Train Group (Engine Drive)



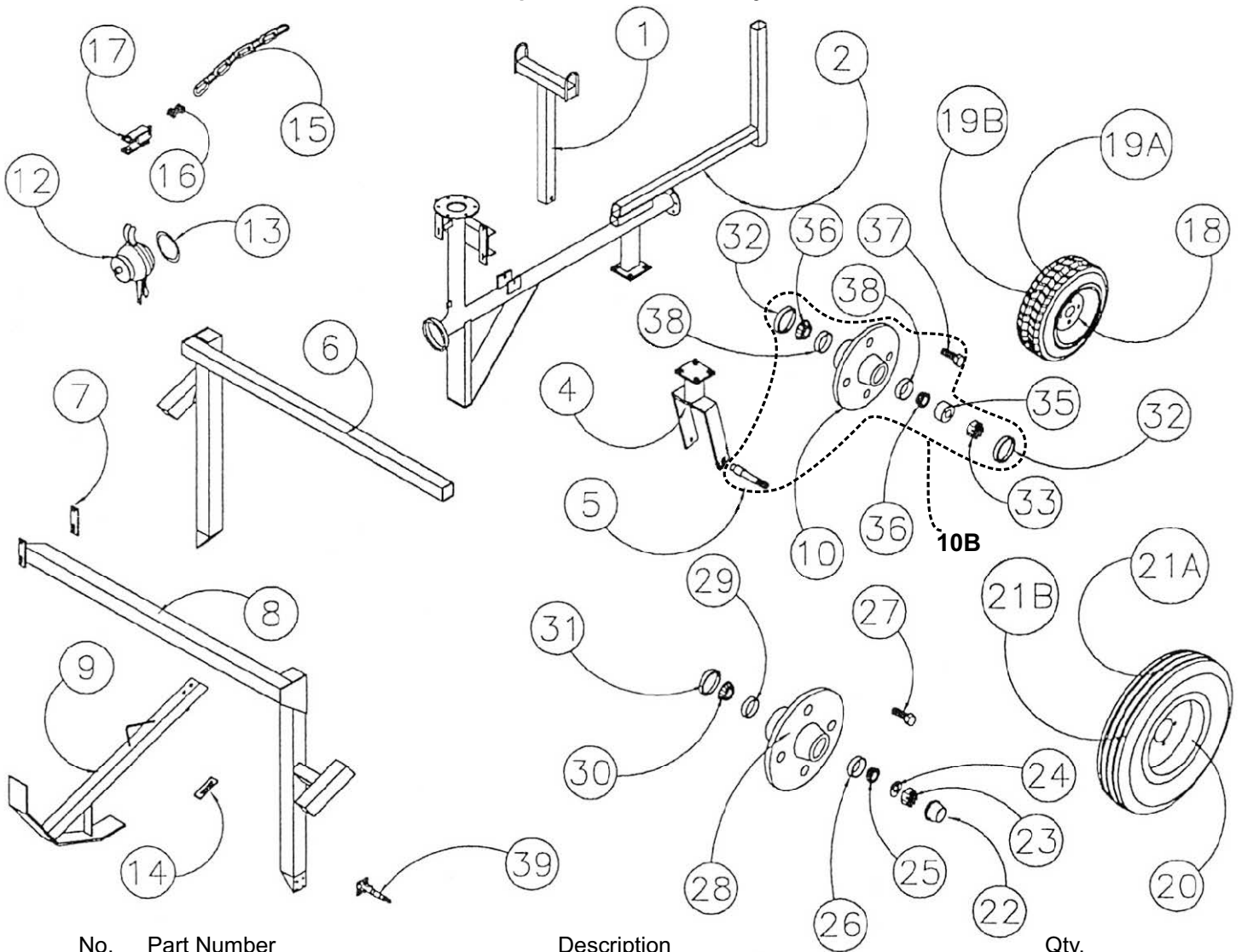
No.	Part Number	Description	Qty.
1	02205340	SNAP RING E35	4
2	02204940	SNAP RING I72	2
3	02203530	BEARING,6207-2RS	4
4	02204950	SPACER	1
5	02204770	Support	1
6	02204960	SPROCKET ASM 3/4" Z60 SINGLE	1
7	02203470	SPRING	1
8	02203480	PIN	1
9	02203490	PIN	1
11	87548473	CHAIN 3/4"-2DW RLLR PER FT	ft. 4.813
12	02204980	SHAFT DIA. 55 CHECK MEMO? 002707/A	1
13	02204990	KEY 16 X 40	1
14	02205000	SPACER	1
15	02205010	BEARING,6211-2RS	2
16	02205020	SPACER	1
17	02205030	BEARING,SUPPORT	1
18	02205200	PIN, ANTI REVERSE	1
19	02205040	SHIM	1
20	02205050	PINION Z7 PIN DIA 26MM	1
21	02205060	WASHER,SPECIAL	1
22		Hair Pin	1

Drive Train Group (Engine Drive)



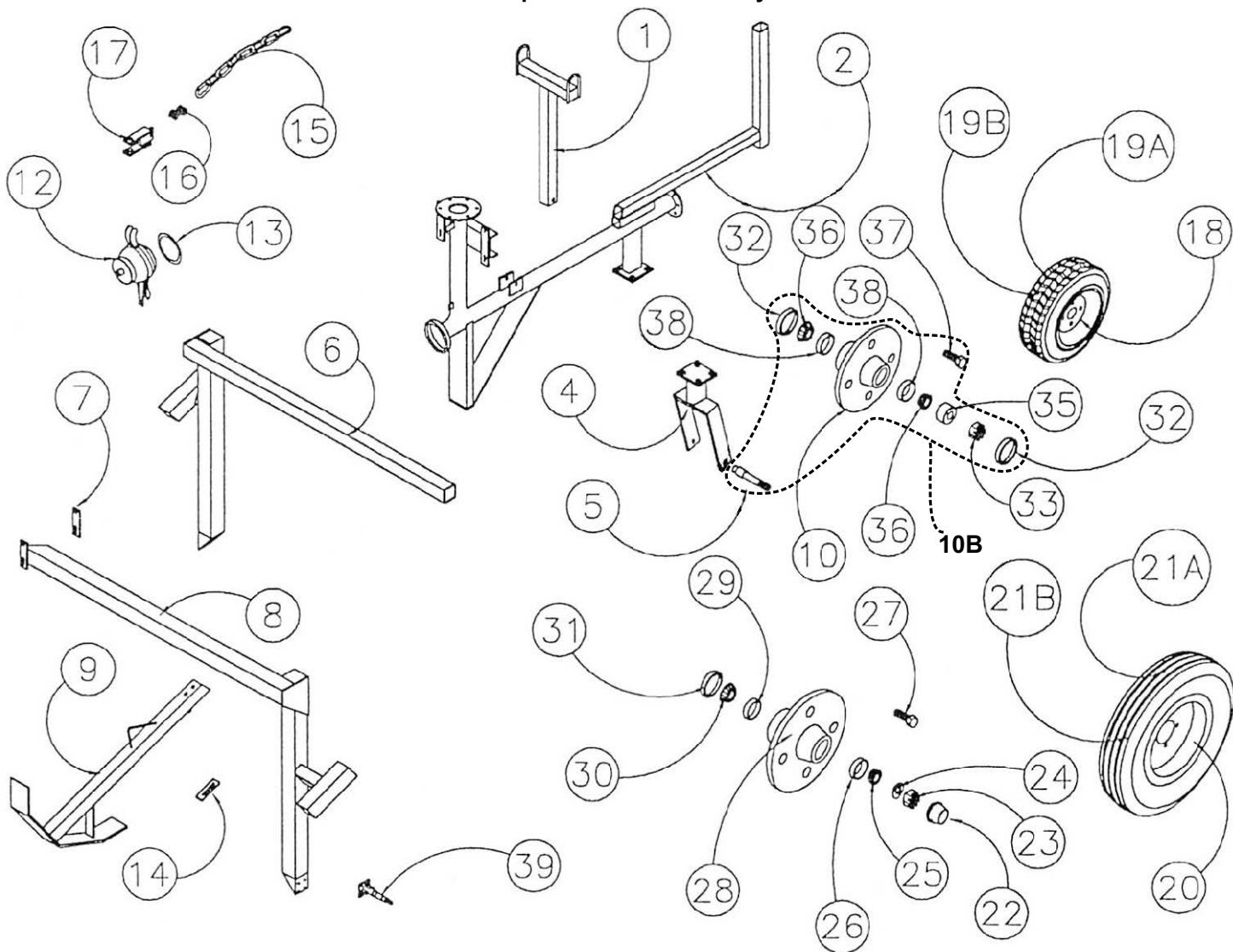
No.	Part Number	Description	Qty.
23	02205350	SPACER, 35MM X 45MM X 1MM	2
24	55070110	SCREW 10MMX25MM ALEN FLAT	1
25	02208060	FRAME, POWERTRAIN SUPPORT - FG1	1
26	02205210	PAWL, NON RETURN FG1 & FF1	1
27	02205220	Dampener	1
28	02205090	SPROCKET 5/8"Z52 003591	1
29	02203510	KEY, 10MM X 8MM X 30MM	1
30	02205240	Shaft 35mm	1
31	02205070	SPACER, 35MM X 45MM X 1MM	1
32	02205110	SPROCKET 3/4"Z13 002945	1
33	02205350	SPACER, 35MM X 45MM X 1MM	1
34	02001141	CHAIN 5/8 METRIC ROLLER PER FT.	ft. 3.3
35	30203671	LINK, 5/8 CONNECTING	1
36	30248612	LINK 3/4-2DBL WD CONN MET.	1
38	02205140	SPROCKET 5/8"Z13 002445/B	1
39		Rear Mt. Support (Not Shown)	1

Sprinkler Cart Assembly



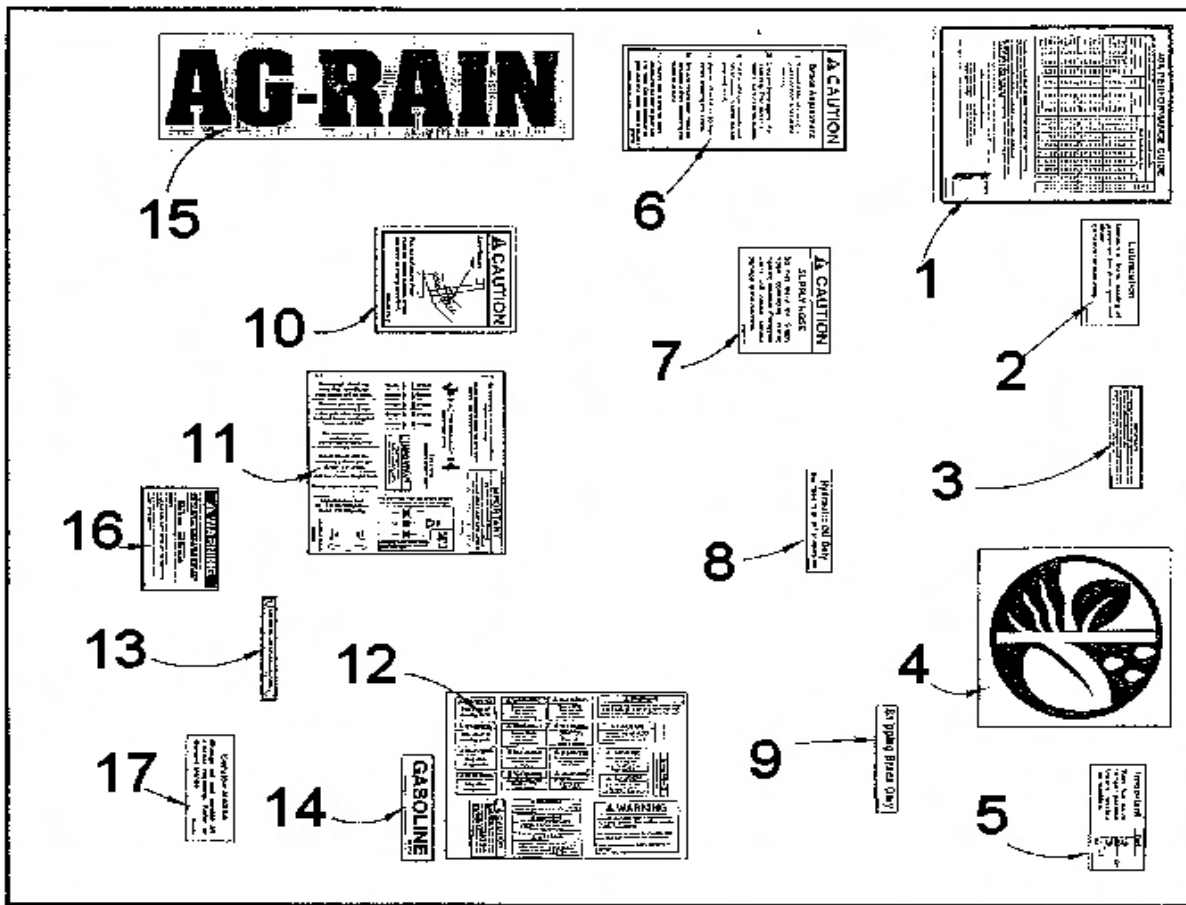
No.	Part Number	Description	Qty.
1	59100031	BAIL,LIFT	1
2	59403824	Body Guncart	1
4	06009974	YOKE, FRONT	1
5	06010199	AXLE,FRONT	1
6	59504920	LEG,INNER 37-40	1
7	58408430	STRAP	2
8	59504910	LEG,OUTER 37-40	2
9	59500480	LEG,STABILIZER GUNCART	2
10a	58803564	HUB,WITH RACES ONLY W440	1
10b	59503820	HUB & AXLE ASSM GUNCART40	1
11	85040590	CHAIN,3/16PROOF COIL PLTP	ft. 0.84
12	59406100	PLUG,GUNCART	1
13	58800233	SEAL RING 4" 6-3/8 OD X 9/16	1
14	59700910	PIN,3/8 X 2.5	2
15	85040600	CHAIN,3/8 PROOF COIL PLTD	ft. 3
16	52353941	CLEVIS,DBL CMBL 542-3301	2
17	52354210	HITCH, CHAIN	1
18	59302640	WHEEL,8X5.75 4BOLT 4BCD	1
19a	59302650	TIRE,16X6.5X8 4 PLY	1
19b	59302651	TUBE,INNER 16X6:50X8	1
19c	59506060	WHEEL&TIRE,16X6:50X8 4PG	1
20	50201740	WHEEL&TIRE ASSY 6.70X15 5"BCD4BOLT	2
21a	22702560	TIRE,6.70X15 4 PLY	2
21b	22702561	TUBE,INNER 5:90 & 6.70X15	2
22	22709360	CAP,HUB	2

Sprinkler Cart Assembly



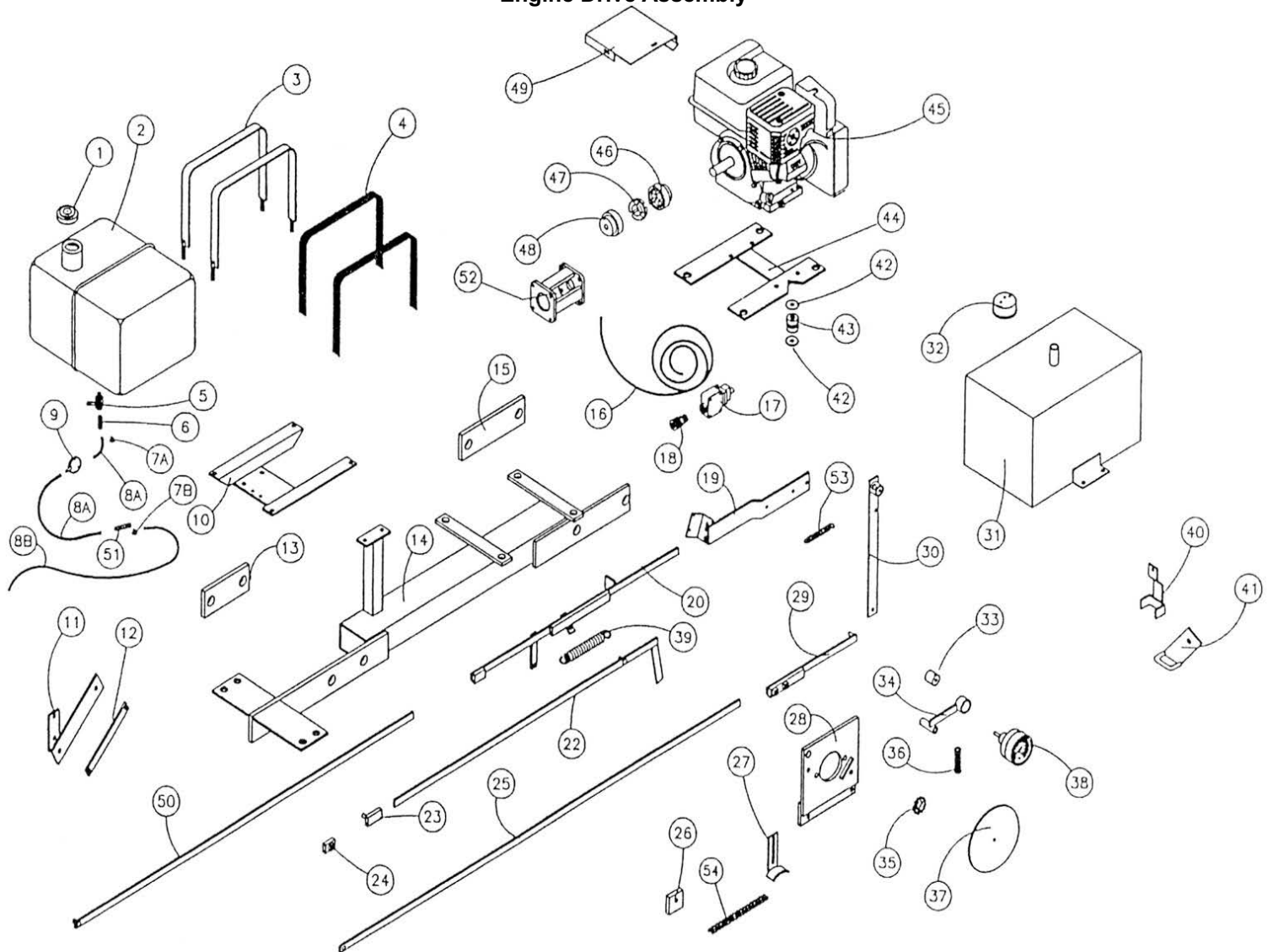
No.	Part Number	Description	Qty.
23	55209440	NUT,SLOTTED NF 5/8	2
24	55306280	BUSH,MACH 1-1/2X1X18GA	2
25	51509420	BEARING,TIMKEN LM11949	2
26	58900640	RACE,OUTER LM11910	8
27	58900630	Bolt Wilton 9435491	2
28	58900650	HUB,WITH CUPS ONLY W633	2
29	51009400	RACE,LM67010	2
30	51509390	BEARING,TIMKEN LM67048	2
31	58900660	SEAL,CR14975	2
32	58803565	SEAL,CR12437	2
33	51516020	nut 1" NFF Slotted	2
35	06002450	SLEEVE	1
36	58803563	BEARING,TIMKEN L44643	2
37	58803560	BOLT,LUG WILT 913535	4
38	50702930	KIT, CUP AND CONE SET	2
39	59504930	SPINDLE,REAR GUNCART	2

Decal Group



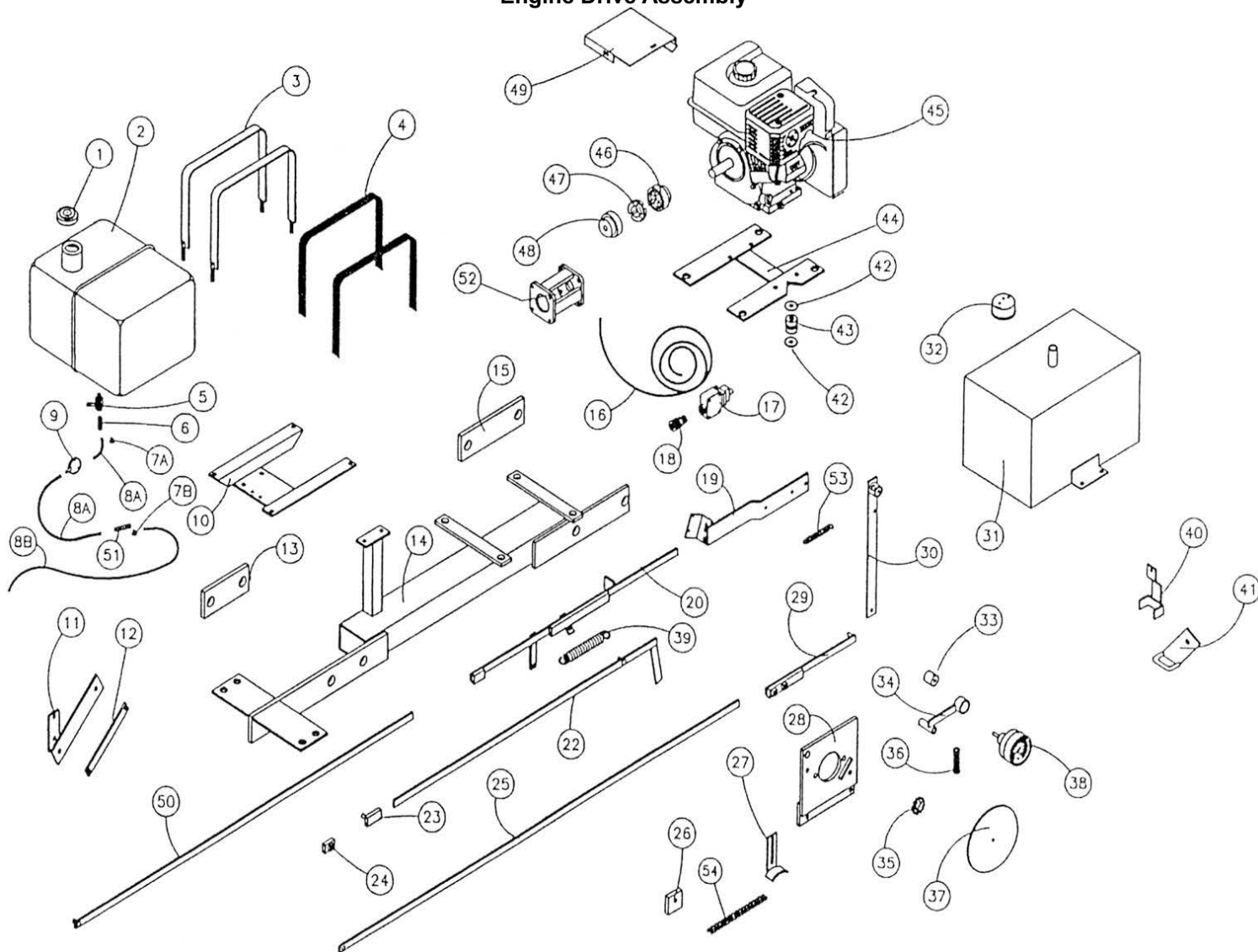
No.	Part Number	Description	Qty.
1	59000130	DECAL,LVLWND LUBRICATION	1
2	59604280	DECAL LUBRICATION	1
3	59502752	DECAL,ANTI-RETURN PAWL	1
4	59600170	DECAL,SUPPLY HOSE	1
5	58607430	DECAL WATER REEL 18.5 RAD	6
6	59502760	DECAL,SHIPPING BRACE	1
7	59603090	DECAL,CAUTION BRAKE ADJ	1
8	59502751	DECAL,PTO REWIND	3
9	59405650	DECAL,INSTRUCTION	1
10	59001130	DECAL, GASOLINE	1
11	59405651	DECAL,WARNING	1
12	58504042	DCL AG-RAIN 3 IN LTRS	1
13	59700550	DECAL,IMPT.PULLEY USE	1
15	59604280	DECAL LUBRICATION	2
16		Decal Warning	1
17	59604260	DECAL SERVICE NOTICE	1
18	59604270	DECAL,IMPRTNT 1/4 TRN VALVE	1
19	59700550	DECAL,IMPPT.PULLEY USE	1

Engine Drive Assembly



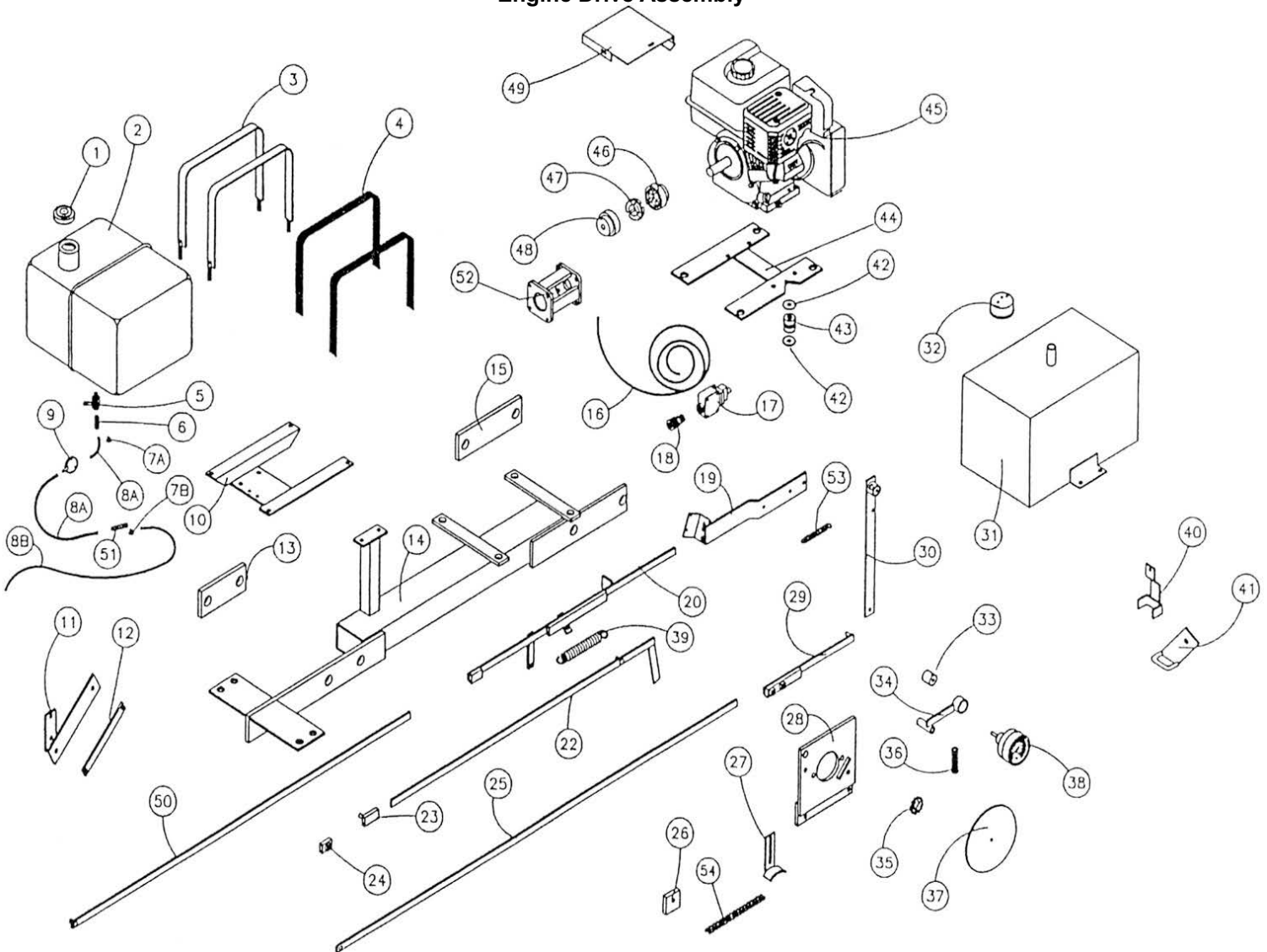
No.	Part Number	Description	Qty.
1	58406939	CAP,TANK-5.3 GAL GAS	1
2	58406930	TANK,FUEL&CAP 5.3GAL	1
3	58406210	STRAP, GAS TANK	2
4	58701670	BELTING,NEOP 5 PLY 1 IN	ft. 6
5	59603720	VALVE 1/4 TURN 1/8FNPT X 1/8MNPT	1
6	52548760	BARB,HOSE BR 1/8 NPT X 1/4	1
7a	06012110	CLAMP,SPRING .42 ID	2
7b	59603460	CLAMP,SPRING .360 ODX.31	1
8a	58406951	HOSE,GAS 1/4X27/64	ft. 0.66
8b	58406950	HOSE,GAS 3/16X23/64	ft. 1
9	59600580	FILTER,FUEL 1/4"	1
10	59701580	MT. TANK	1
11	59702210	COMP. ARM	1
12	59701820	LINK	1
13	59701520	PLATE,CLAMP	1
14	59701510	MT. HYD FG1	1
15	59701460	PLATE,CLAMP	1
16a	58406700	WIRE,ELECT.3 WIRE 14 GA	ft. 15
16b	59703270	WIRE ASSM. HONDA	1
17	52662151	SWITCH 6 X 613	1
18	52662170	GROMMET,CMRPN 1/2 NPT	1
19	59701870	HOLDER,SPRING	1
20	59701890	SHUT OFF BAR	1

Engine Drive Assembly

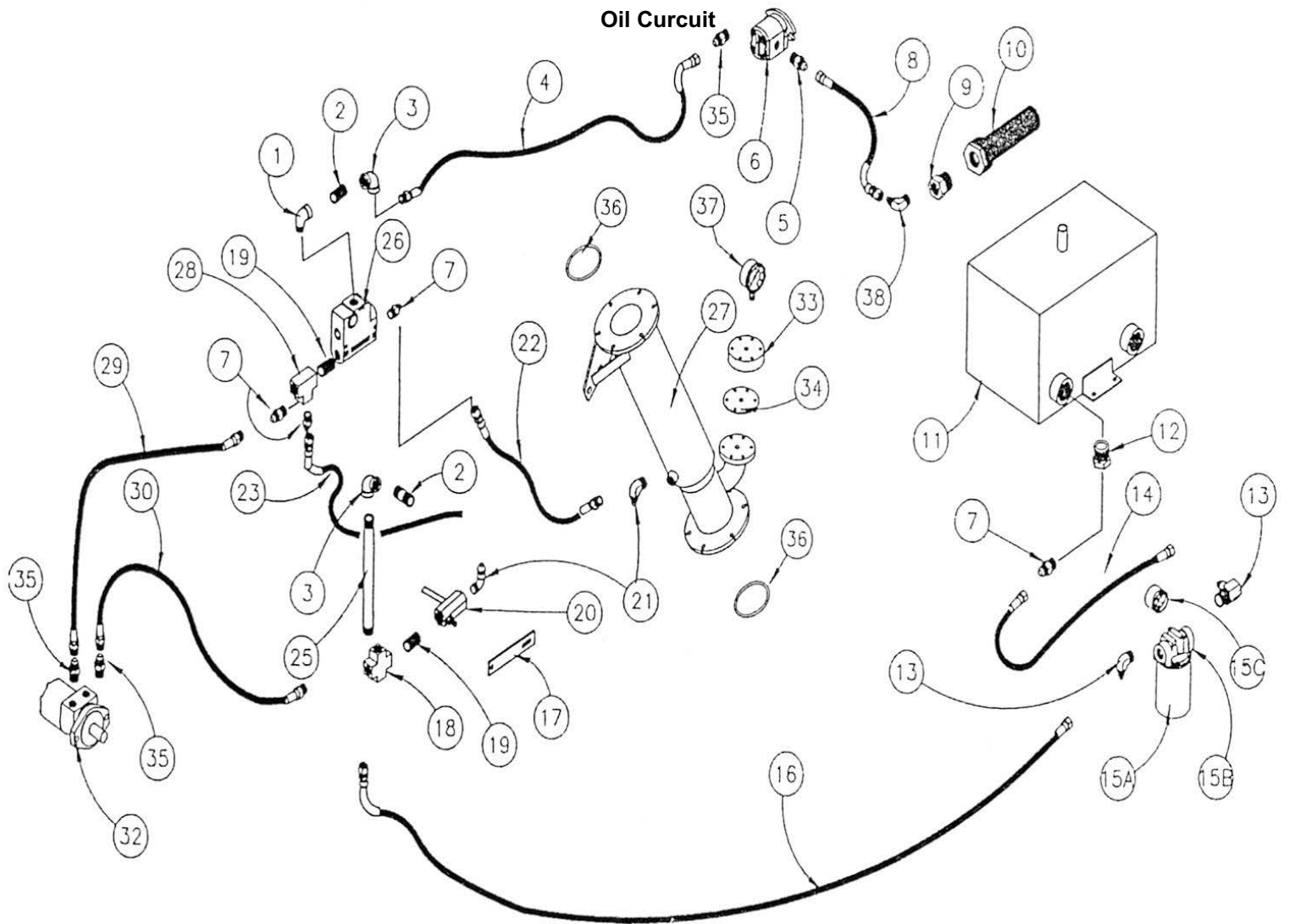


No.	Part Number	Description	Qty.
22	59701880	LINK,HYD SAFETY SHUT-OFF	1
23	58701960	Slide	1
24	59404480	SLIDE	3
25	59701900	LINK COMP. TO FLOW CONT.	1
26	59702890	TAB,SPACER	2
27	59602080	IDLER CHAIN	1
28	59505053	MT.,HYD MOTOR FG1,& D2	1
29	59701950	SLIDE ADJ.	1
30	59701790	ARM COMP. FLOW CONT.	1
31	58600481	TANK,OIL 7 GAL	1
32	59501240	CAP,TANK-OIL	1
33	59602771	TACH PULLEY FF1 & FG1	1
34	59601670	TACH MT.	1
35	88003710	SPRKT,50B12 1 BORE	1
36	59300170	SPRING,TENSION 3/8OD .049WR X 2IN	1
37a	59602761	TACH PULLEY WITH TIRE	1
37b	59603010	O-RING, (BELT) 5MM X 17-1/4)	1
38	02201200	TACHOMETER ASM,0-400 FT/HR A SERIES	1
39	45035360	SPRING TNSN 1 X 6 PLATED	1
40	59702090	HOSE RETAINER	1
41	59701930	HOSE LOOP	1
42	59404261	WASHER,SNUBBING.09X.4X1.6	4
43	59404260	DAMPENER,MOTOR MT.	4
44	59403072	PLATE,ENGINE MT.5.5A SER.	1

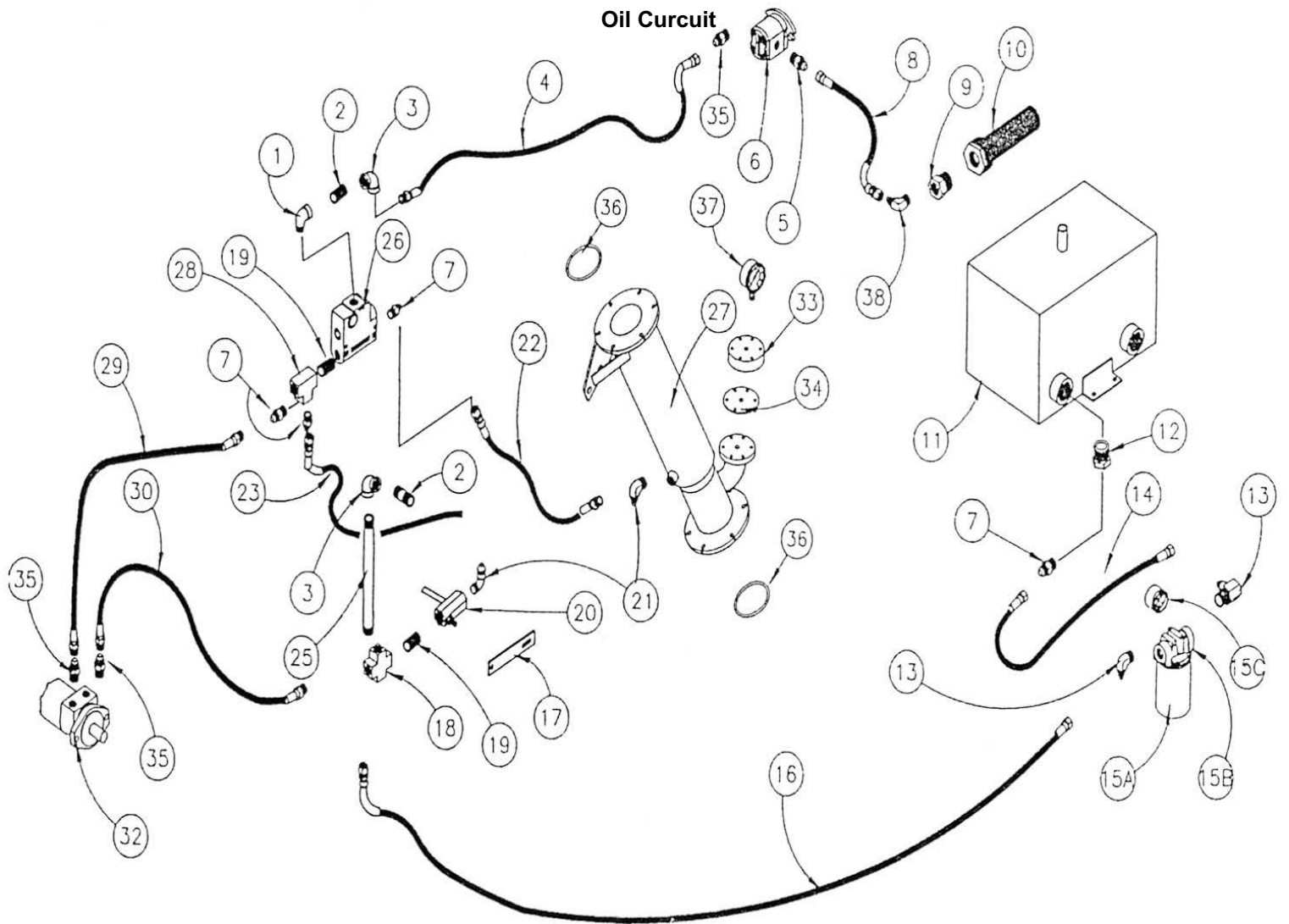
Engine Drive Assembly



No.	Part Number	Description	Qty.
45	58407019	ENGINE,HONDA 6.5 HP	1
46	59501300	CPLNG,HALF ENG 3/4" BORE	1
47	59501030	CPLNG,RUBBER 25 THROUGH40	1
48	59501310	CPLNG,HALF PUMP 1/2" BORE	1
49	59701661	ENGINE COVER HONDA6.5&5.5	1
50	59701840	LINK 50"	1
51	59203221	BARB,RDCNG HOSE 1/4X3/16	1
52	59501321	ADPTR,FLANGE PUMP 6.5	1
53	45048582	SPRING .5 ODX2 X.047W	1
54a	87548460	CHAIN,#50 ROLLER PER FT	ft.
54b	30203670	LINK, #50 CONNECTING	1

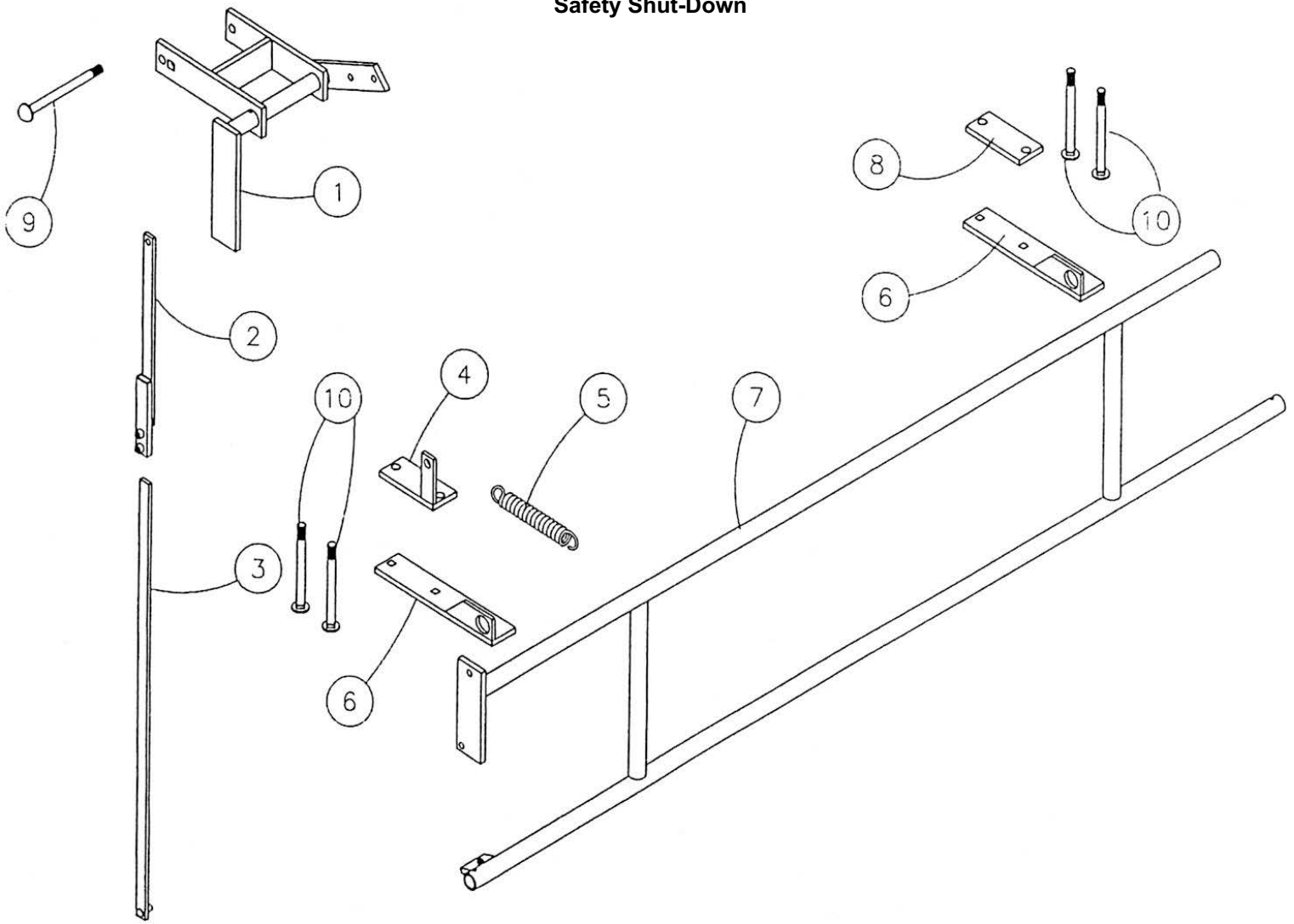


No.	Part Number	Description	Qty.
1	52513440	ELBW,STRT BIP 1/2X90DEG	1
2	59703040	NPPL,1/2 X 2 BIP	1
3	52501732	ELBW,1/2 COMM BLACK	2
4	59703030	HOSE.5X8FJ90DEGX125 X 139	1
5	59703570	ADPTR,10MSAEX10MJIC	1
6	59501271	PUMP,HYD BARNES 10566	1
7	59501210	ADPTR,8MJICX1/2MNPT	4
8	59703010	HOSE5/8,10FJ190X10FJX31.5	1
9	52549424	BUSH,REDUCING GLV 1-1/4X3/4	1
10	59500800	FILTER HYD. OIL	1
11	58600481	TANK,OIL 7 GAL	1
12	52549420	BSHNG,RDCNG GLV 1X1/2	1
13	59502040	ADPTR,8MJICX3/4MNPTX90DEG	2
14	59702960	HOSE.5X8FJ90D X8FJ X 22	1
15a	59501070	FILTER,SPIN HYD OIL	1
15b	59501060	HEAD,OIL FILTER	1
15c	59501080	GAUGE,OIL FILTER	1
16	59702970	HOSE.5X8FJ90D X 1/2S X115	1
17	59703780	VALVE,STABILIZER STRAP	1
18	59702250	CROSS,1/2FNPT HYD STEEL	1
19	52513934	NPPL,CLOSE BLK 1/2"	2



No.	Part Number	Description	Qty.
20	59702950	VALVE 1/2" 1/4TURN W/BOLT	1
21	59501220	ADPTR,8MJICX1/2MNPTX90DEG	2
22	59703050	HOSE.5X8FJIC X 8FJIC X 17	1
23	59702960	HOSE.5X8FJ90D X8FJ X 22	1
25	52513934	NPPL,CLOSE BLK 1/2"	1
26	59500970	CONTROL,FLOW 8GPM 37/40	1
27	59701750	OIL COOLER	1
28	59702320	TEE,1/2 FNPT HYD. STEEL	1
29	59703090	HOSE.5X8FJIC X 8FJIC X 29	1
30	59702940	HOSE.5X8FJIC X 1/2MNPTX41	1
32	59500984	MOTOR HYD MK 12	1
33	58606901	BODY,GAUGE PROTECTOR-TOP	1
34	58700460	DIAPHRAGM,GAUGE PROTECTOR	1
35	59506040	ADPTR,8MJICX10MSAE	3
36	02204840	O-RING 104MM X 3.53MM	2
37	58606750	GAUGE, PRESS 0-300	1
38	59703570	ADPTR,10MSAEX10MJIC	1

Safety Shut-Down



No.	Part Number	Description	Qty.
1	59703440	ARM,SHUT DOWN	1
2	59701950	SLIDE ADJ.	1
3	59703390	LINK,40 SHUT DOWN	1
4	59703480	PLATE,UPPER CLAMP	1
5	45035360	SPRING TNSN 1 X 6 PLATED	1
6	59703500	BEARING,SHUT DOWN	2
7	59703550	SAFETY SHUT DOWN BAR	1
8	59703450	PLATE	1
9		BOLT,CARR 1/2 X 6-1/2 G 5	1
10		BOLT,CARR 1/2 X 6 GRD 5	4