



**Turbine Drive Water-Reels®
Engine Drive Slurry-Reels**

30/33A & 30/33LP
(D2)

Parts Manual

Serial No. 320,000 - 329,999



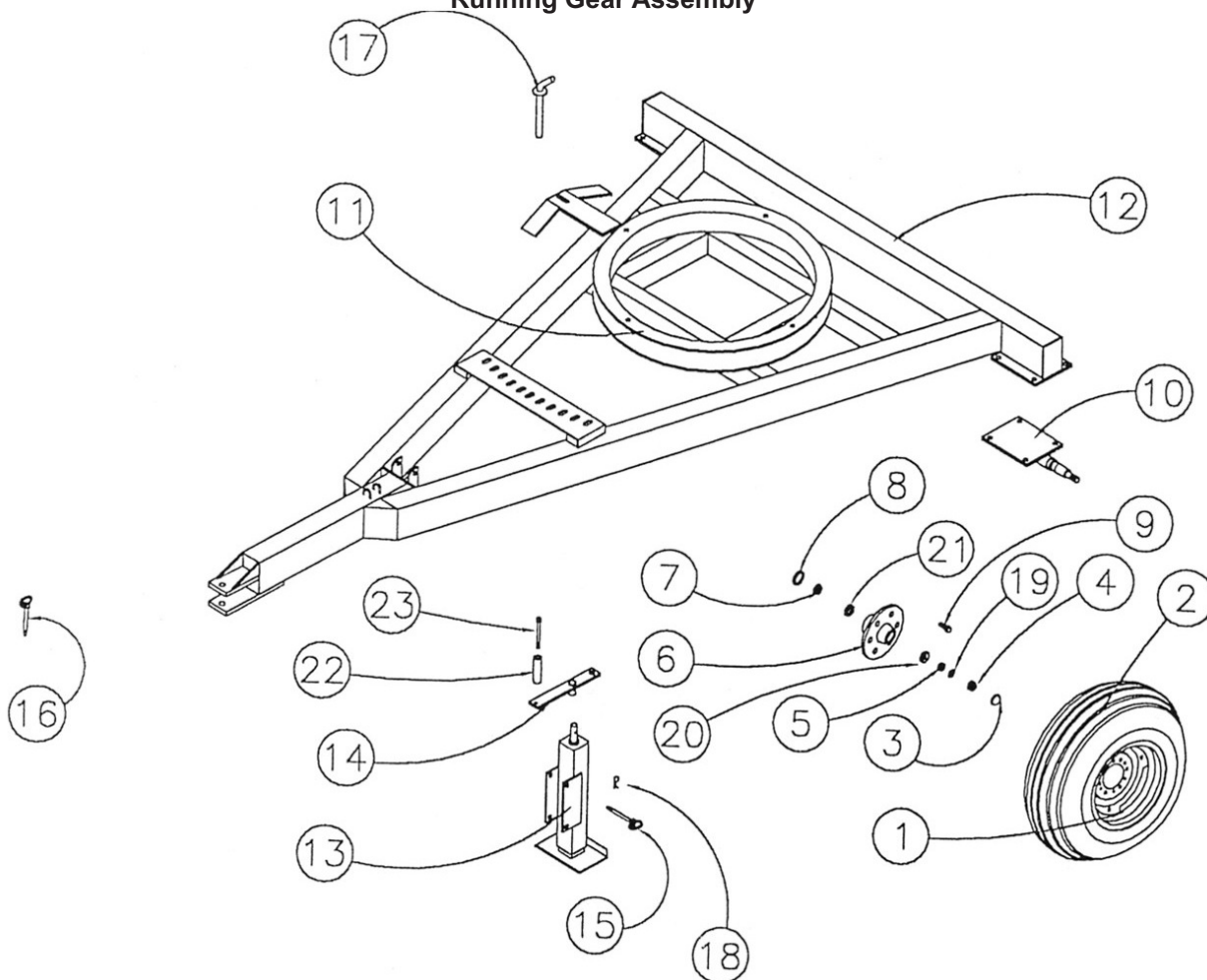
AG-RAIN®

700 S. Schrader Ave.
Havana, Illinois 62644
Phone: 309-543-4425 Fax 309-543-4945

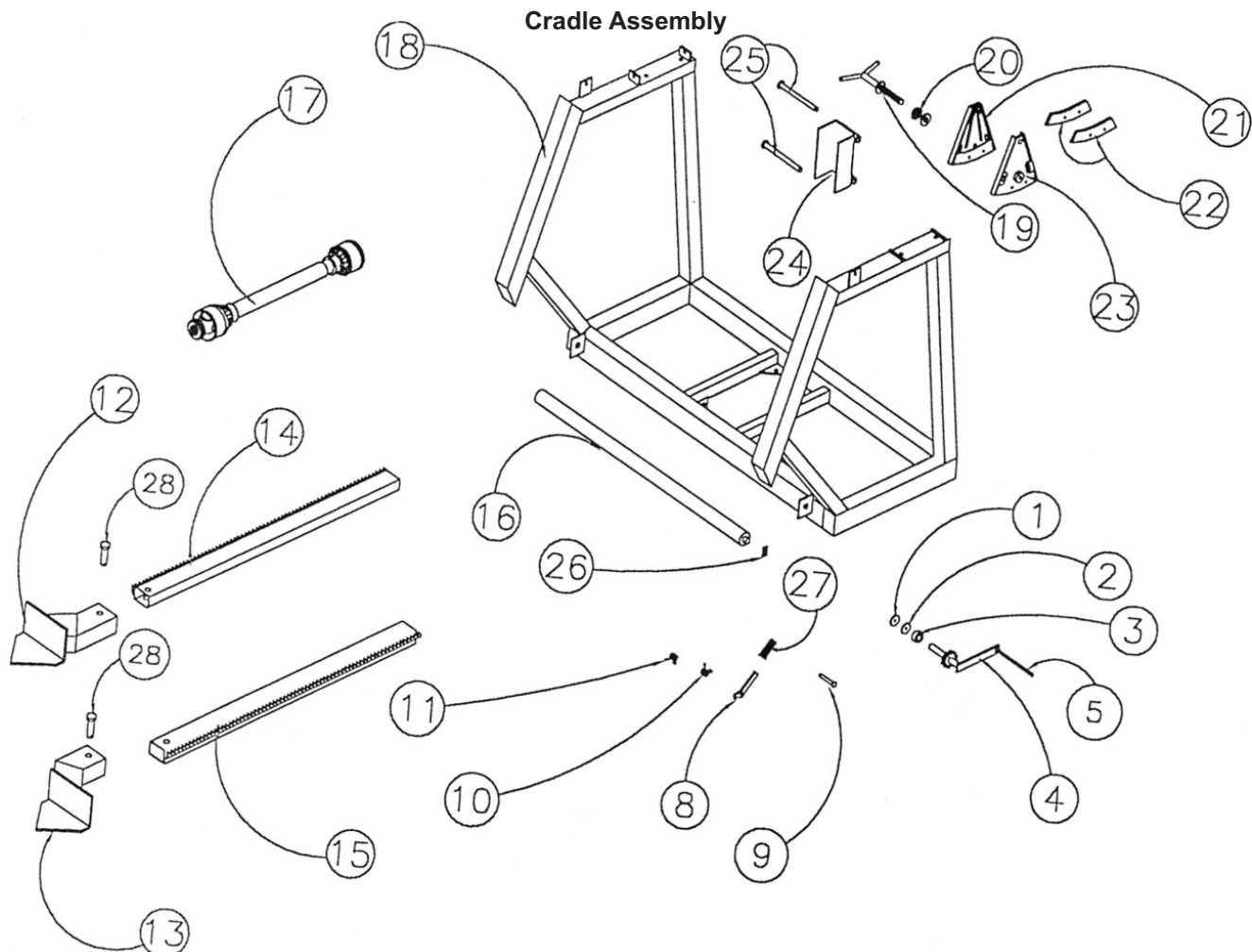
For Parts that are described as "Left" or "Right" the water inlet side of the machine is considered the right side

Items Such as common fasteners, grease fitting, and other small parts easy to acquire locally are not listed.

Running Gear Assembly

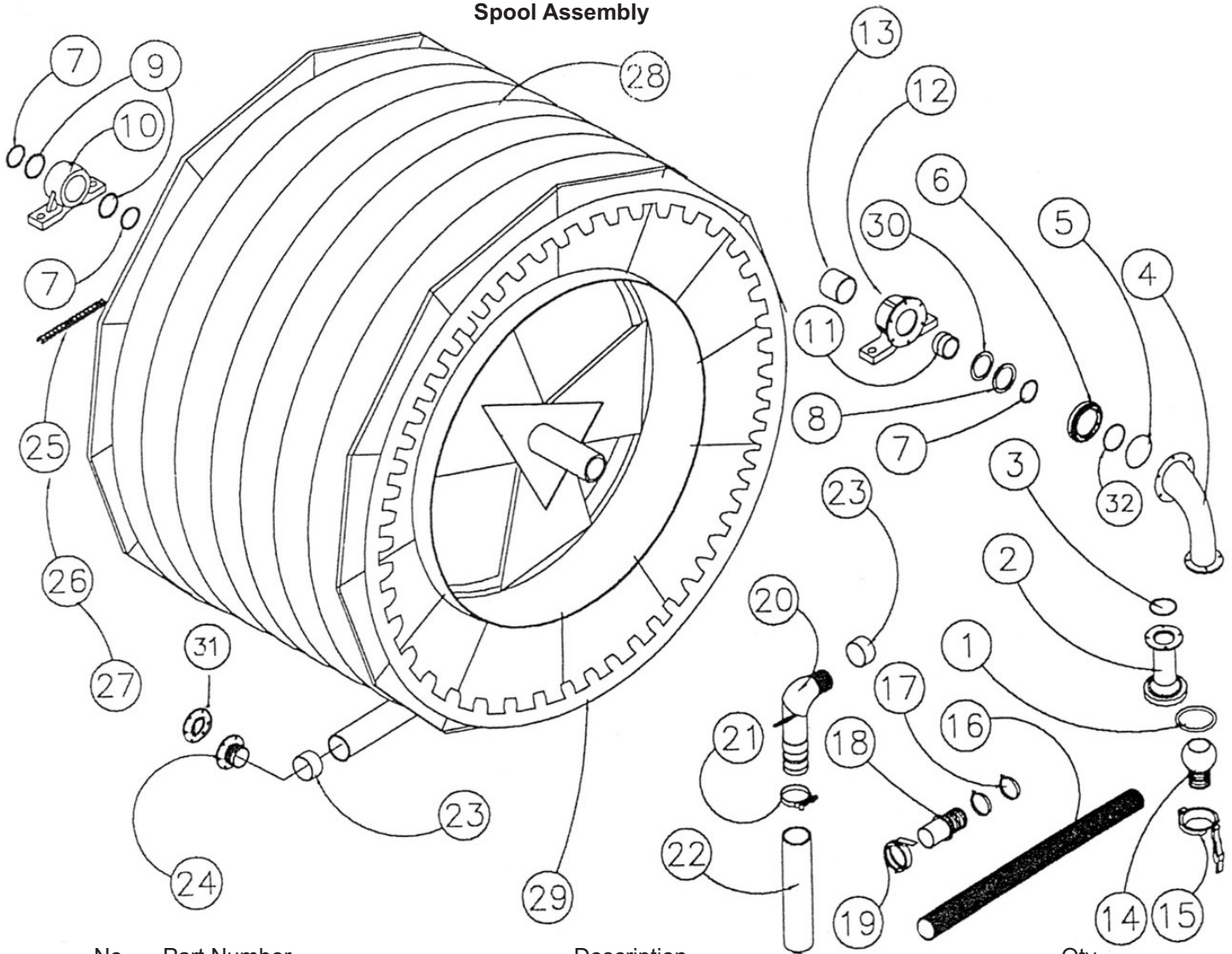


No.	Part Number	Description	Qty.
1	52651381	WHEEL, 15X10 6BOLT 6"BCD	2
2	52655310	TIRE 11L-15 12 PLY	2
3	58803550	CAP,HUB WILT 909902	2
4	58902070	NUT,SLOTTED 7/8 WIL912952	2
5	51509390	BEARING,TIMKEN LM67048	2
6A	58802503	Hub, With Races Only, Wilton 280511	2
6B	58802502	HUB ASSY,6BOLT W709	2
7	58803554	BEARING,TIMKEN LM48548	2
8	58803553	SEAL,CR15190	2
9	58803555	LUG BOLT 1/2 X 1	12
10	59503830	SPINDLE,30	2
11	02099636	BEARING,TURNTABLE D2	1
12	59404790	Chassis	1
13	58403300	JACK,TONGUE 41,45,T27-T40	1
14	59403300	CRANK HANDLE	2
15	55832811	PIN,HITCH 3/4X4-1/8 ZN	1
16	52358660	PIN,HITCH 3/4 X 6-1/2	1
17	59504830	PIN, 3/4 X 5.75	1
18	56102040	PIN,HAIR .118DIAX2-11/16	2
19	58902080	WASHER,SPINDLE WILTON # 912952	2
20	51009400	RACE,LM67010	2
21	51009401	RACE,INNER LM 48510	2
22	59403240	HANDLE	1
23	53230361	Screw, Allen Cap 1/2 x 5"	1



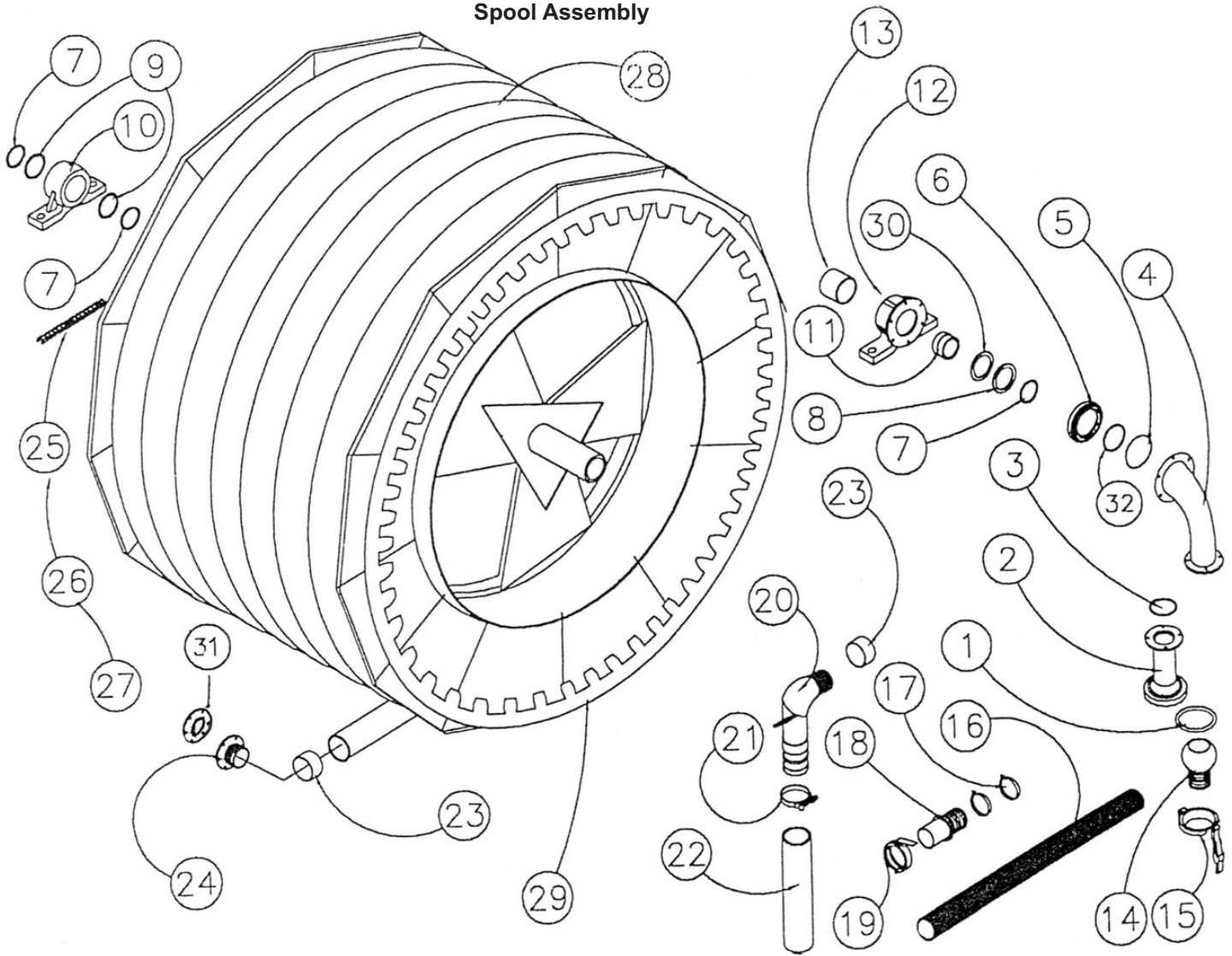
No.	Part Number	Description	Qty.
1	55170011	NUT,10-1.5MM NYLOC	2
2a	02099058	NUT	2
2b	02099049	WASHER	2
3	02099059	SPRING, RUBBER STABILIZER	2
4	02099578	CRANK	2
5	02099048	HANDLE	2
8	02010127	HANDLE,PAWL	2
9	02010129	PIN .55 X 3.37 OAL	1
10	02010128	SPRING,RIGHT TORSION	1
11	02010135	SPRING,LEFT TORSION	1
12	02200270	FOOT,STABILIZER CHAIN SIDE 30	1
13	02200280	FOOT,STABILIZER TURBINE SIDE 30	1
14	02200300	LEG, STABILIZER LEFT - D2	1
15	02200290	LEG, STABILIZER RIGHT - D2	1
16	02010410	ROLLER	1
17	30036044	SHAFT,PTO60"OAL#1 BUSH	1
18	59503257	Cradle	1
19	02201590	SCREW,BRAKE CONTROL	1
20	02201560	WASHER,BRAKE SPRING	2
21	02201581	PLATE,BRAKE	1
22	02204540	BRAKE PAD	2
23a	02201571	PLATE,THREADED BRAKE	1
23b	55070100	BOLT,8-1.25MM X 20 BR	4
24	02205270	BRAKE MT. (D2)	1
25	02201600	PIN,20MM X 203MM	2
26	02099571	Plate	1
27	02201540	HAND GRIP MOD. 1040-20X6	2
28	02205760	PIN	2

Spool Assembly



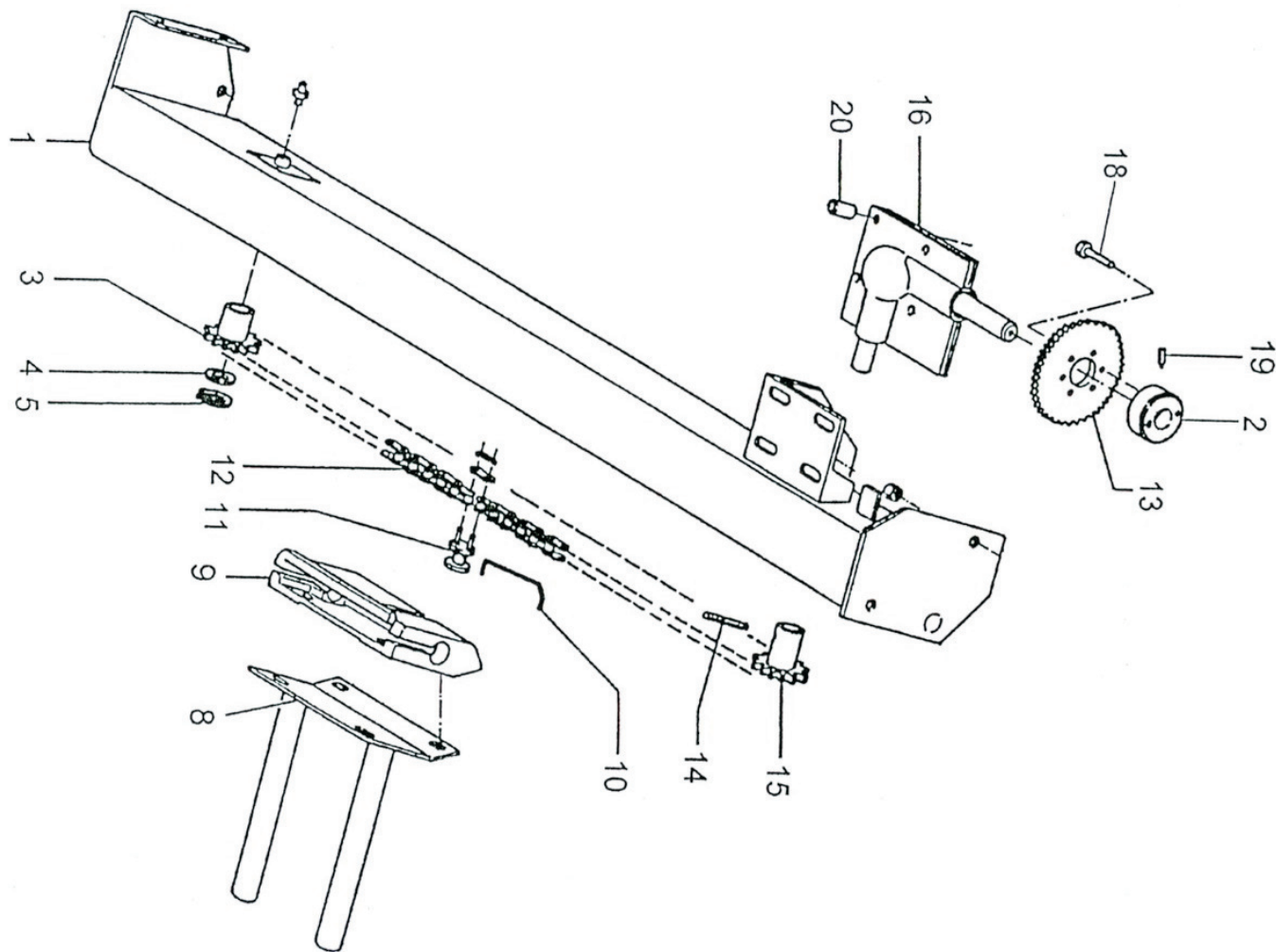
No.	Part Number	Description	Oty.
1A	58800233	SEAL RING 4" 6-3/8 OD X 9/16	1
1B	58800223	SEAL RING 3" 4.5 X 3.5 X 1/2	1
2A	02204830	FITTING, ENTRY - 25/120 TURBINE	1
2B	02203080	FITTING, ENTRY - 10/50 TURBINE	1
3A	02204840	O-RING 104MM X 3.53MM	2
3B	02203030	O-RING,DIA. 71.54 X 3.53	2
4A	02204572	ELBW,UPPER(T-33A,E33A)	1
4B	02204573	ELBW,UPPER(T-30A,30LP)	1
5	02200390	O-RING 5-1/8"OD X 1/8" CS	1
6	02208500	SEAL KIT,UNIVERSAL FIT-D2/AR5 27K+	1
7	02200370	RING,RET	3
8	02200400	WASHER,SLIP JOINT	1
9	02200380	SPACER,D2 SPOOL	2
10	02099581	HOSE DRUM SUPPORT	1
11	59302451	NUT, SLIP JOINT 30 - D2/AR5	1
12	02200320	SUPPORT,FLANGED (D2-AG5)	1
13	59600140	SPACER D2 BASE	1
14A	58802561	HOSE END OUTLET - 4" BALL	1
14B	58802560	HOSE END, 3" BALL TO 3" HOSE	1
15A	58800231	LEVER RING 4" 451 108MM	1
15B	58800221	LEVER RING 3" 451 76MM	1
16A	25249620	HOSE, IRR SUPPLY REMNANT 4"(PERFT)	Ft. 30
16B	25249622	HOSE, IRR SUPPLY REMNANT 3"(PERFT)	Ft. 30
17A	03019240	SUPRA CLAMP 104MM-112MM	1
17B	03019207	SUPRA CLAMP 79MM-85MM	1

Spool Assembly



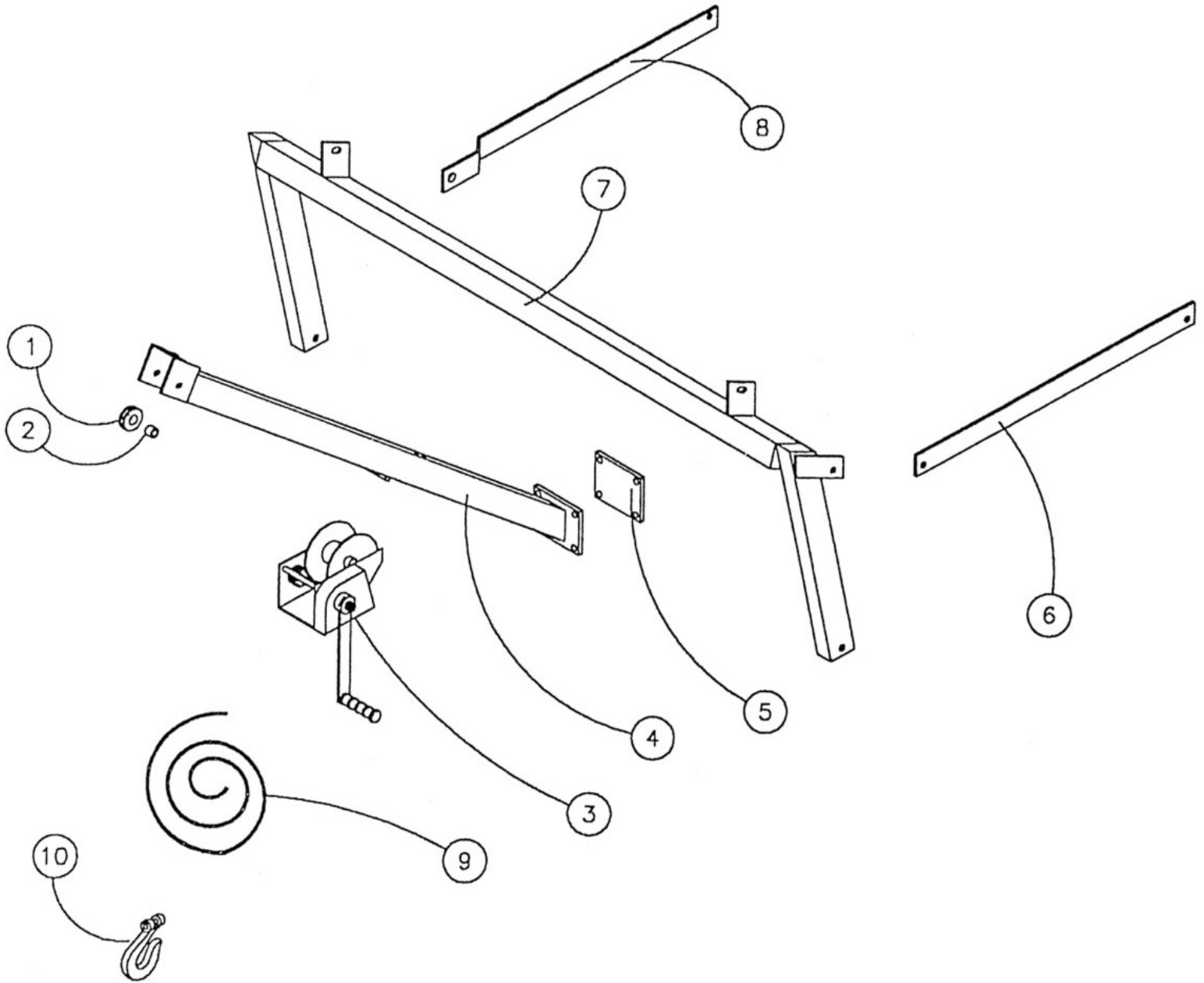
18A	58802660	HOSE END INLET 4	1
18B	58802662	HOSE END INLET 3" TO 4"	1
19	40049270	BAND,RING LOCK 4 IN	1
20A	02200340	ELBW,3" PE TUBE - D2 270000&UP	1
20B	02201270	ELBW,PE TUBE 100MM - D2	1
21	02206820	CLAMP,ATLANTIC 86MM X95MM	4
22	02200310	HOSE 30	1
23A	02099113	BAND, HOSE 90MM	2
23B	02099114	BAND, HOSE 100MM	2
24A	02203117	HOSE RING WITH FLANGE 90MM	1
24B	02003118	TUBE END,100MM X FLANGE	1
25	02001140	CHAIN 1/2 METRIC ROLLER	Ft. 9.7
26	02201110	LINK 1/2 CONNECTOR	1
27	02201100	LINK,1/2" OFF-SET METRIC	2
28A	58401750	TUBE,PE 90MM X 3.0 ID X 1000FT	1
28B	58401752	TUBE,PE 90MMX3.0IDX1100FT	1
28C	58401740	TUBE,PE 100X3.3ID X 800 FT	1
29	02204580	Spool	1
30	02200360	RING,ANTIFRICTION	1
31	02099202	GASKET, 5.75"BCD 4.3 ID	1
32	46548841	O-RING 3-7/8X3-3/8 90DURO	1

Levelwind Assembly



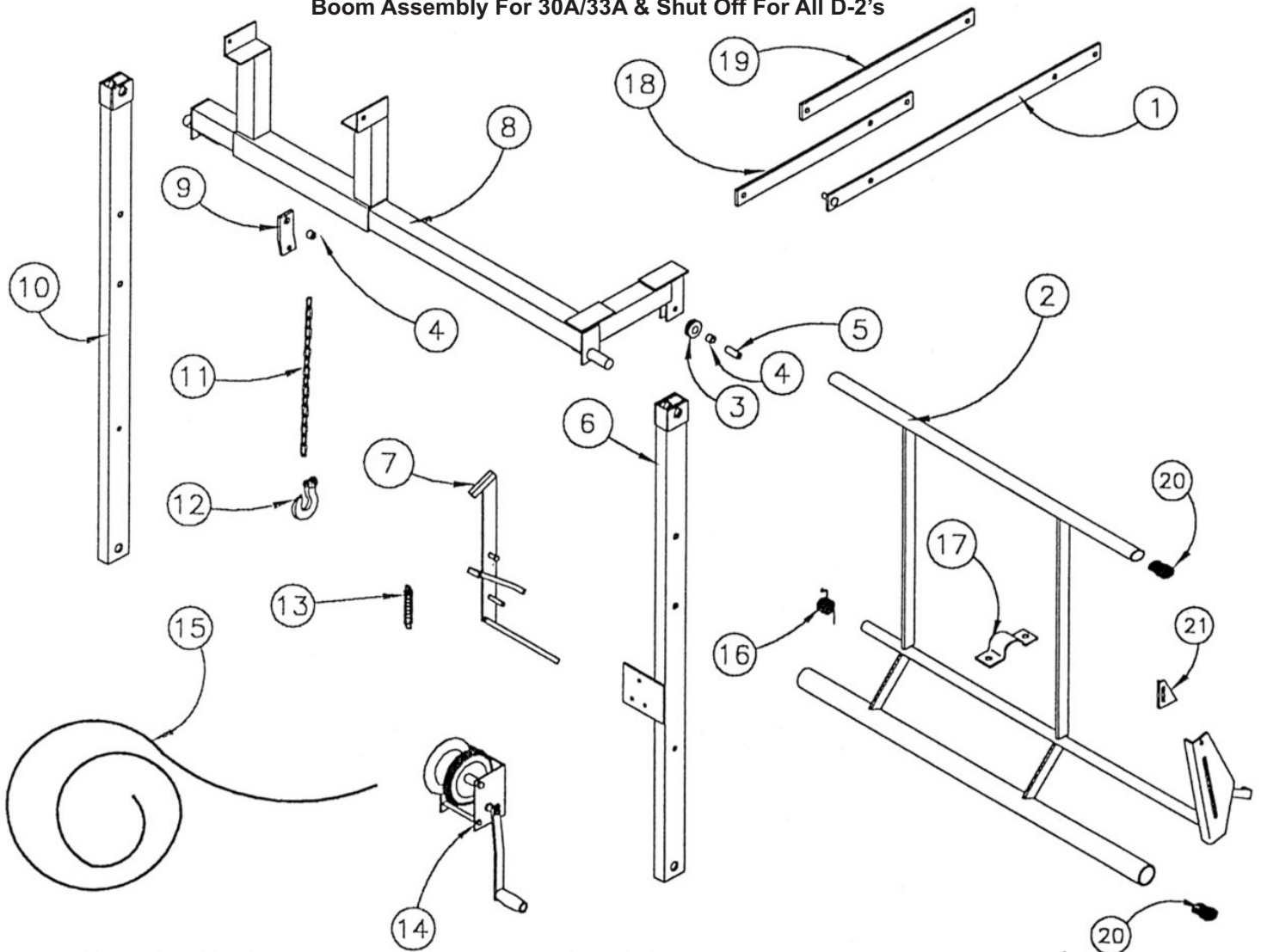
No.	Part Number	Description	Oty.
1A	02199477	FRAME,LEVELWIND58-3/4"OAL	1
1B	02201050	LEVELWIND ASSY, W/O DRIVE SPROCKET	1
2	02000153	HUB, SPROCKET	1
3	02000475	SPRKT,LVLWND IDLER 13T A1	1
4	55306280	BUSH,MACH 1-1/2X1X18GA	1
5	52662540	RING,RET EX	1
8A	02004607	FORK, 90MM - D2	1
8B	02203850	FORK, 100MM - D2	1
9	02000141	SUPPORT,FORK	1
10	02000776	CLIP,RETAINING	1
11	02000496	LINK, HOSE GUIDE, ROUND END	1
12	02001141	CHAIN 5/8 METRIC ROLLER PER FT. (150 Rollers)	ft. 7.82
13A	02201240	SPRKT,.5X29TEETH	1
13B	02201250	SPROCKET .5 X 25 TOOTH	1
14	58902140	PIN,SPRING 7MM X 45MM	1
15	02000479	SPRKT,LVLWND DRIVER 13T 5/8"	1
16	02001085	GEARBOX,RIGHT ANGLE	1
18	55050010	Bolt, M8x25 mm	2
19	02000152	SCREW,12MMX25MM DOGPOINT(7.5MM DIA)	1
20	02001084	SPACER, GEARBOX - A-SERIES	4

Boom Assembly For 30LP & 33LP



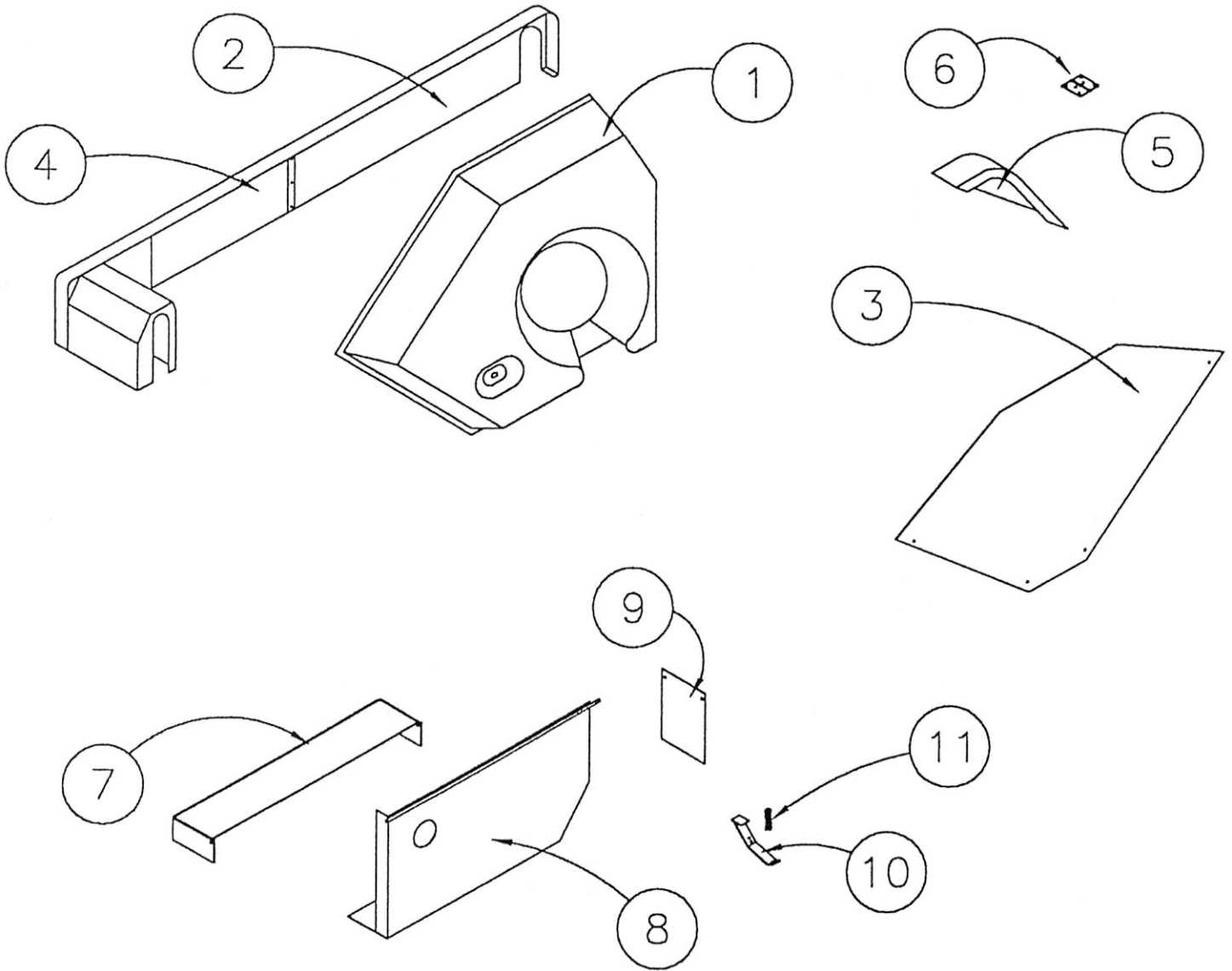
No.	Part Number	Description	Oty.
1	40249060	PLLY,WRP17/32X2X7/8B STL	1
2	32551910	BUSH,STL.843X.56X.62L	1
3	40048551	WINCH FULTON K 1550	1
4	59601390	BOOM BASE D2 LP	1
5	58803450	CLAMP PLATE	1
6	59405241	Brace, Boom	1
7	59405220	BOOM,LIFT - A1	1
8	59405242	BRACE D2 LP	1
9	75048440	CABLE,1/4-7X19 GAC PER FT	ft. 10
10	52355650	HOOK,CLEVIS SLIP 3/8 ZN	1

Boom Assembly For 30A/33A & Shut Off For All D-2's



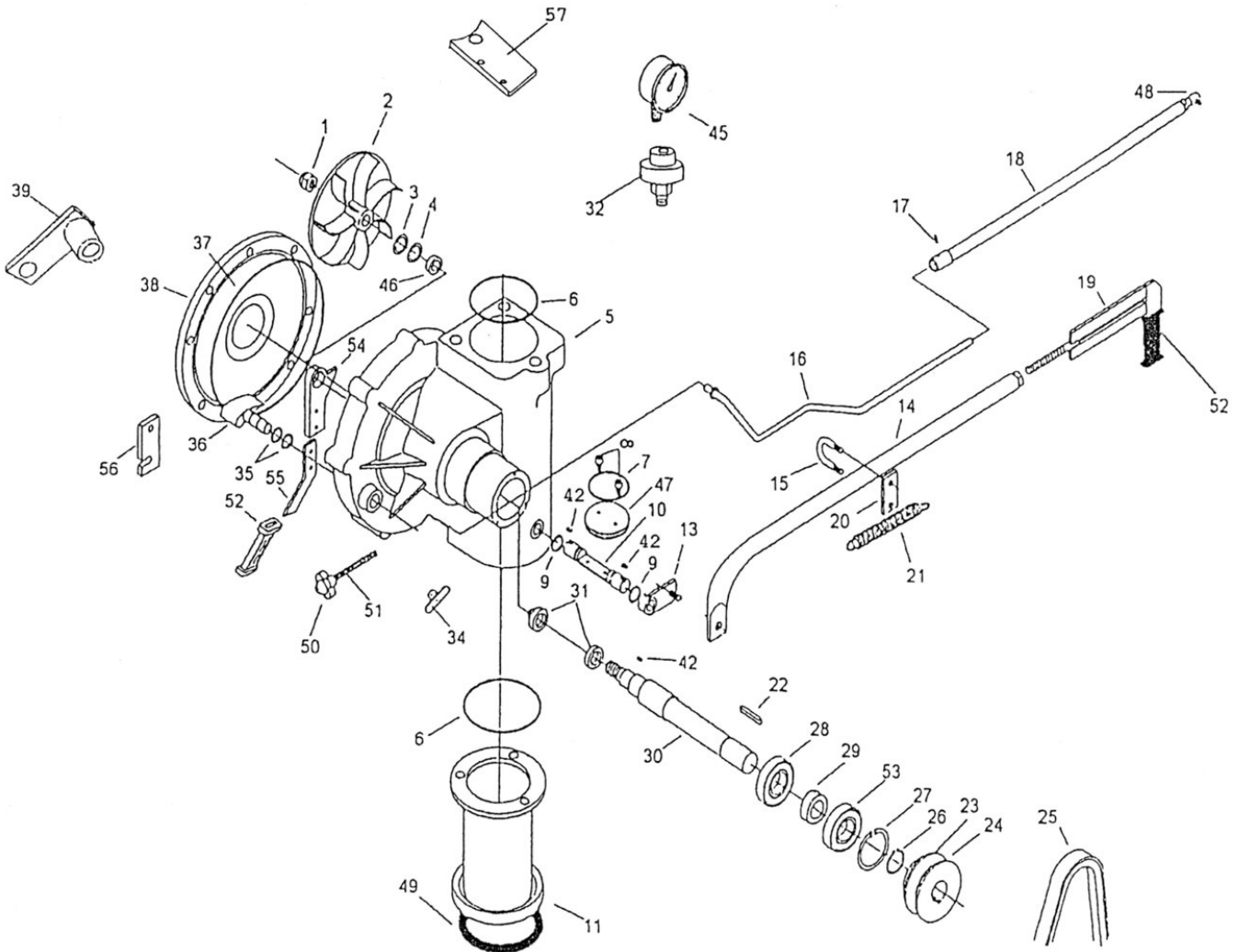
No.	Part Number	Description	Oty.
1	59505870	BOOM BRACE	2
2	02205280	BAR, COMPENSATOR - D2	1
3	40249060	PLLY,WRP17/32X2X7/8B STL	1
4	32551910	BUSH,STL.843X.56X.62L	3
5	59500540	BUSH,STL 3/4X.51X1.75L	1
6	59403390	ARM,LIFT	1
7	59404760	BOOM,CATCH	1
8	59403490	BOOM,LIFT ASSY	1
9	59500730	LINK,BOOM CHAIN	2
10	59403360	ARM,LIFT	1
11	85040600	CHAIN,3/8 PROOF COIL PLTD	ft. 4.7
12	52355650	HOOK,CLEVIS SLIP 3/8 ZN	2
13	45035360	SPRING TNSN 1 X 6 PLATED	1
14	40048551	WINCH FULTON K 1550	1
15	75048440	CABLE,1/4-7X19 GAC PER FT	ft. 12
16	02000166	SPRING, COIL - SHUT OFF	1
17	02000164	RETAINER	1
18	59505880	BOOM BRACE 30	1
19	59505890	TRANS. BRACE	2
20	02201630	CAP PLUG	4
21	02201610	RETAINER	1

Shield Group



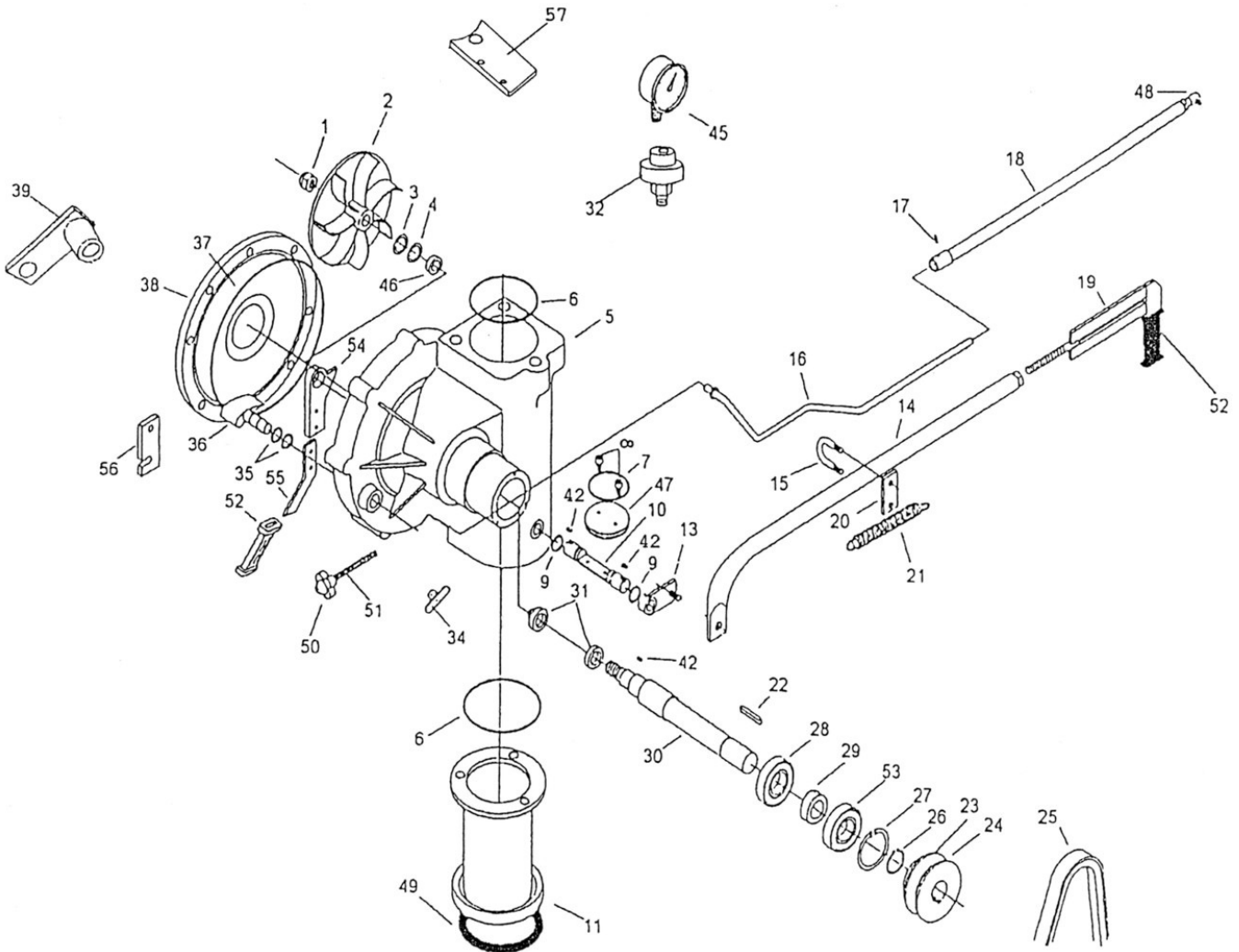
No.	Part Number	Description	Oty.
1	02204810	SHIELD D2	1
2	02201232	GUARD, LEVELWIND TOP - FG1	1
3	59300390	SHIELD, 30 SPOOL	6
4	02201220	SHIELD, LEVELWIND BOTTOM	1
5	02203880	SHIELD, BELT	1
6	02203890	HINGE	1
7	59505480	SHIELD TOP	1
8	59505360	SHIELD ENGINE 30	1
9	59505960	SHIELD CAP	1
10	59505380	HOOD LATCH	1
11	45048582	SPRING .5 ODX2 X.047W	1
	59702810	LATCH, RUBBER DRAW (not shown)	1

Turbine Assembly T-100 (T30A & T30LP)



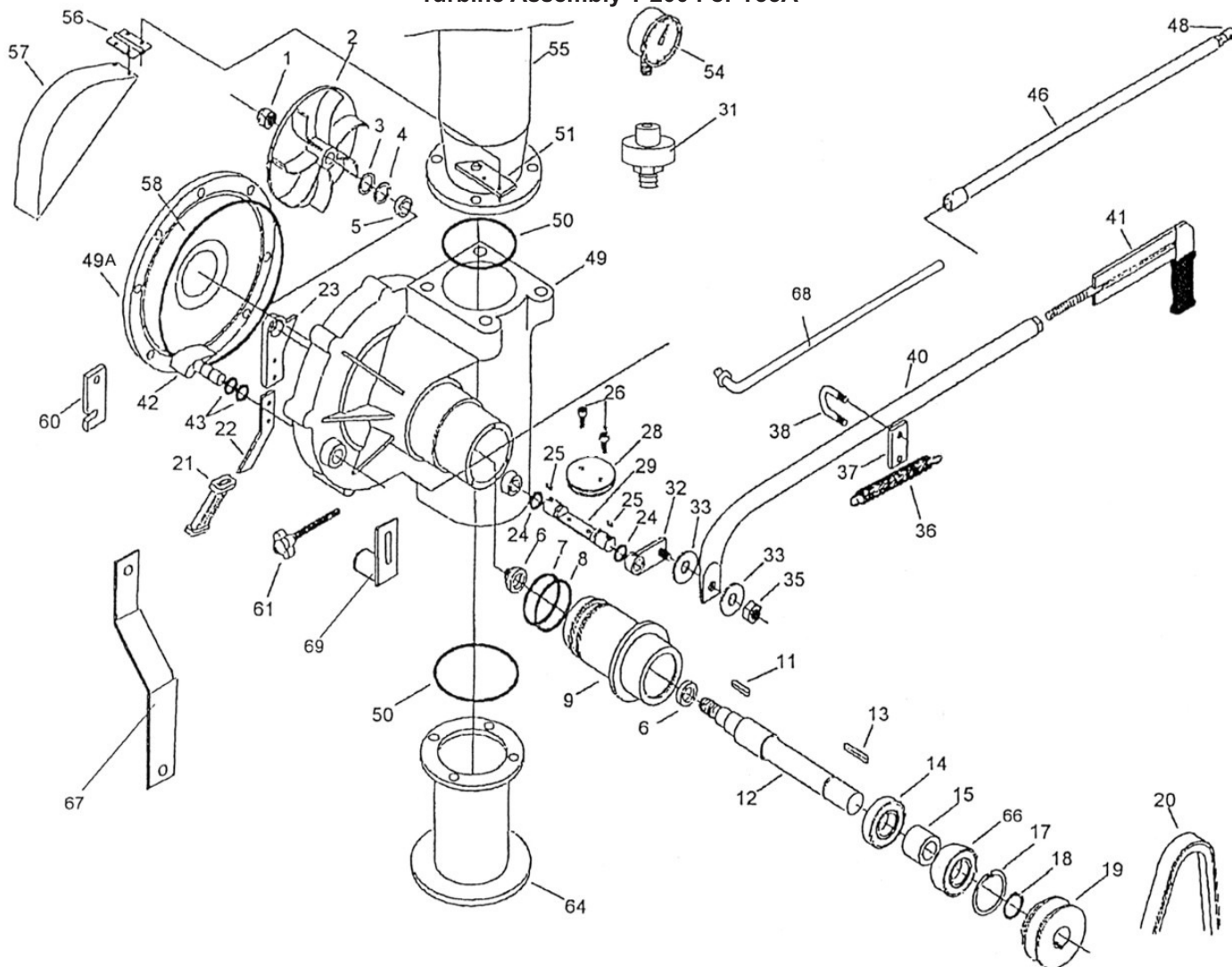
No.	Part Number	Description	Oty.
1	02201980	NUT,SELF LOCKING M14 X1.5	1
2	02201990	IMPELLER 5.43 X .51VANE H	1
3	02203000	SPACER,25MM X 16MM X 7MM	1
4	02205430	SHIM,MYLLAR 16.2X23.8X.25	1
5	02203020	BODY,TURBINE 10/50	1
6	02203030	O-RING,DIA. 71.54 X 3.53	2
7	02203040	GASKET,BY-PASS	1
8	02203050	SCREW,6-1MM X 16MM	2
9	02203060	O-RING DIA. 10.77 X 2.62	2
10	02203072	SHAFT,BYPASS W/GROOVES	1
11	02203080	FITTING, ENTRY - 10/50 TURBINE	1
13	02203100	LEVER,CONTROL BY-PASS	1
14	02205740	ROD, BYPASS CONTROL "L" - D2 50"	1
15	02203120	U-BOLT	1
16	02203130	ROD, INNER COMP. AA AND A1	1
17	02203200	SET SCREW 6-1.00 X 8MM LONG	1
18	02205690	ROD, OUTER CMPNSTR - AA/A1/D2 47.9"	1
19	02203162	HANDLE, SLOTTED WITH THREAD	1
20	02205920	PLY,100MM,75MM,53MM3STEP W/SETSCR	1
21	02203180	SPRING BELT TIGHTENER	1
22	02203190	KEY 6X10	1
23	02203200	SET SCREW 6-1.00 X 8MM LONG	1
24	02205920	PLY,100MM,75MM,53MM3STEP W/SETSCR	1
25	02205940	BELT AX 67	1
26	02201680	RETAINING RING E20	1
27	02203240	STOP RING I47	1

Turbine Assembly T-100 (T30A & T30LP)



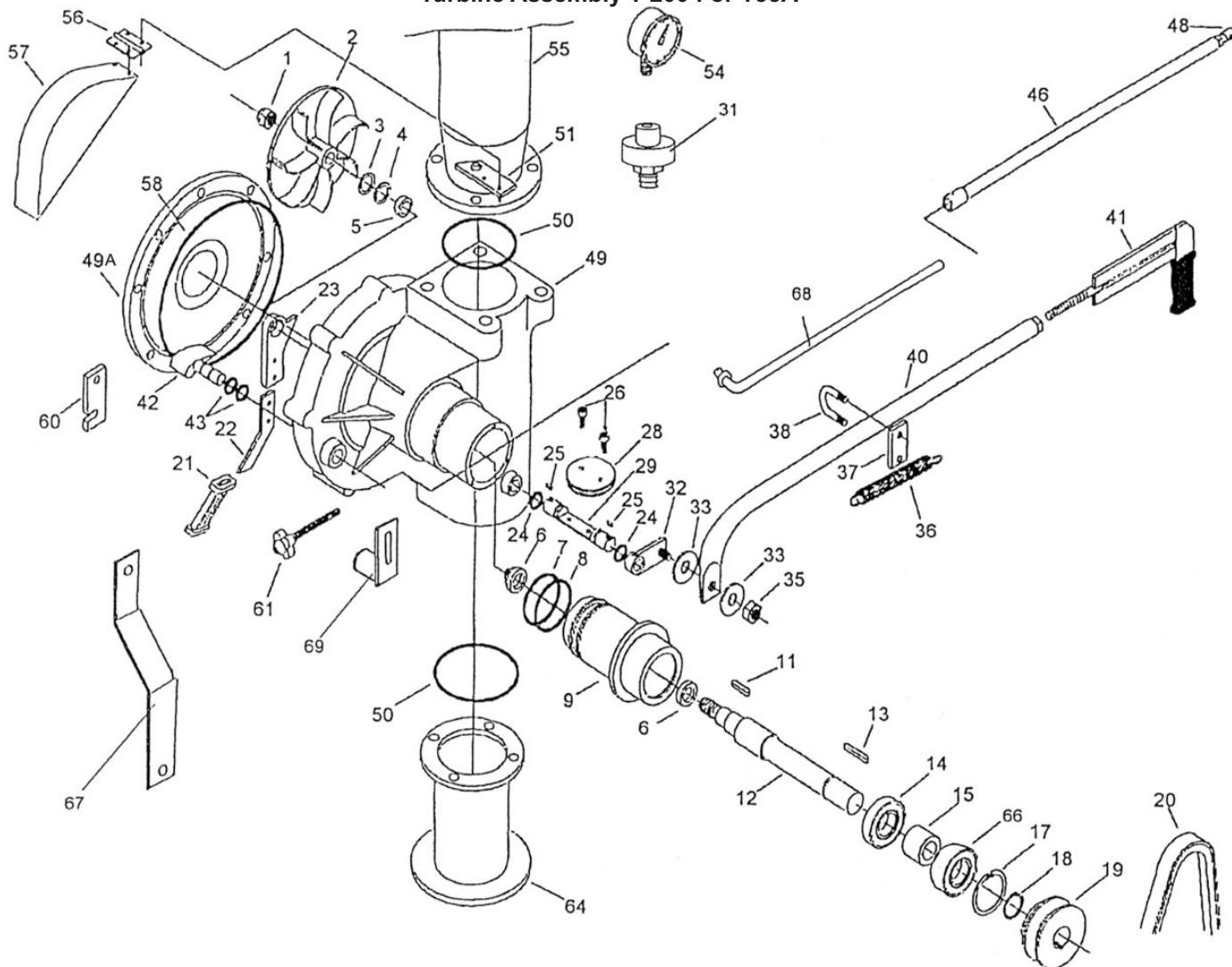
28	02201670	BEARING,6204-2RS	1
29	55370010	WASHER,FLAT 37MM X 20MMX3MM	1
30	02203260	IMPELLER PIN	1
31	02205450	SEAL,20 X 6	1
32	59600410	GAUGE PROTECTOR	1
34	59603000	ARM,COMP	1
35	02203310	O-RING 8.73MM ID X 1.78MM CS	2
36	02203320	REGULATOR FLAP	1
37	02203330	O-RING DIA. 203 X 3.53	1
38	02203340	COVER, 10/50 TURBINE	1
39	02203350	LEVER LOCK HANDLE	1
42	02203370	KEY 5 X 10	3
	59900028	TURBINE ASM, 10/50 - A1 (25/27/30)	1
45	58606750	GAUGE, PRESS 0-300	1
46	02203390	SHIM,28MM OD 20MM ID X1MM	1
47	02203400	DISC. BY-PASS	1
48	02203410	ROD END	1
49	58800223	SEAL RING 3" 4.5 X 3.5 X 1/2	1
50	02203910	HAND WHEEL KNOB	1
52	02204140	HAND GRIP MOD. 1040-20X6	1
53	02201671	BEARING,5204-2RS	1
54	02205580	LEVER, BY-PASS - 25/120	1
55	02205570	LEVER,BY-PASS	1
56	02205730	PLATE, STOP 25/120	1
57	02205711	SHIELD SUPPORT	1

Turbine Assembly T-200 For T33A



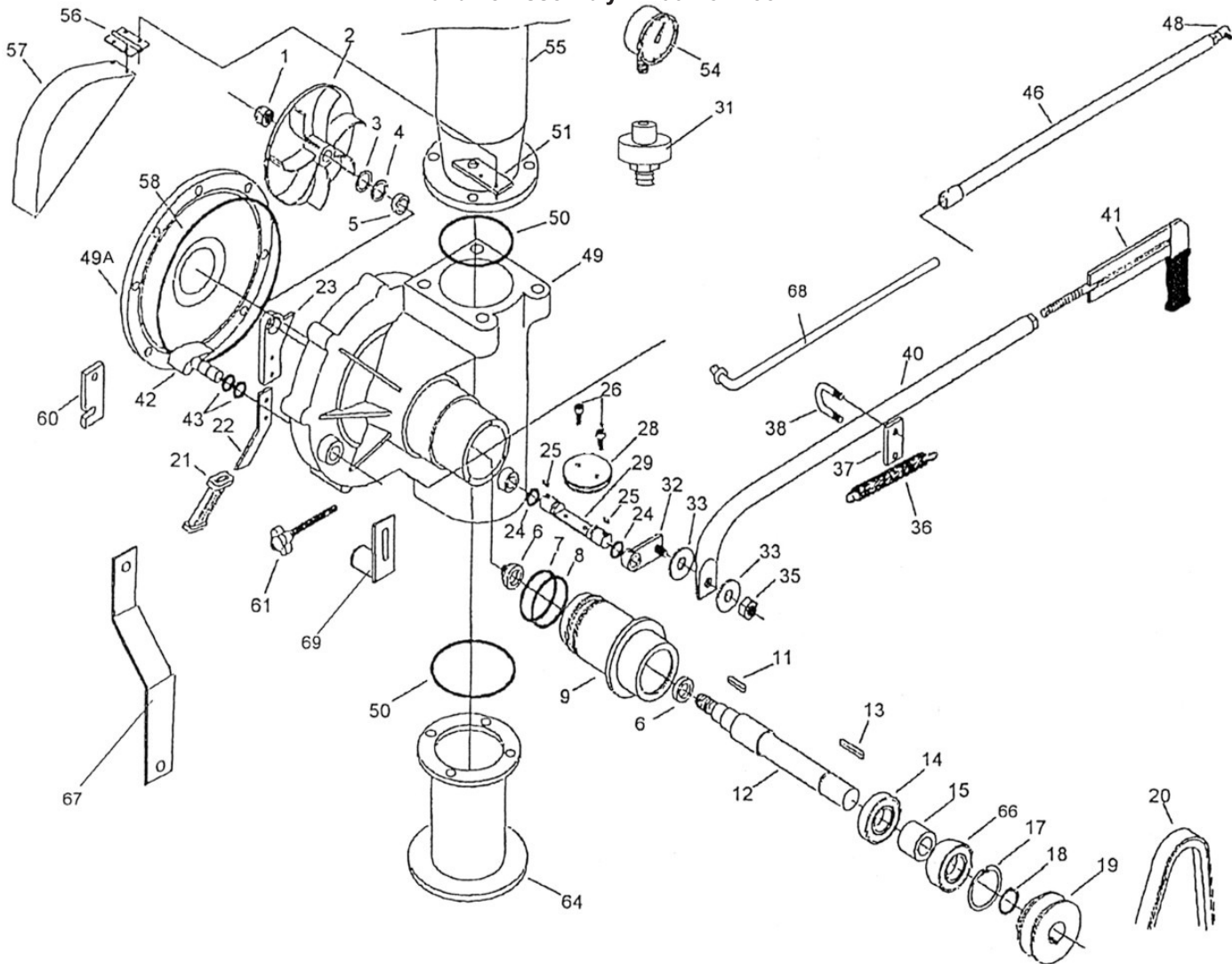
No.	Part Number	Description	Oty.
1	02201980	NUT,SELF LOCKING M14 X1.5	1
2a	02201994	IMPELLER 6.77ODX.51 VANE	1
2b	02201993	IMPELLER 6.77ODX.87 VANE	1
3	02205430	SHIM,MYLLAR 16.2X23.8X.25	2
4	02203000	SPACER,25MM X 16MM X 7MM	1
5	02205440	SPACER 25MM X 20MM X 5MM	1
6	02205450	SEAL,20 X 6	1
7	02205460	O-RING 4MM X 54MM	2
8	02205461	O-RING 2.36 ID X .103 C/S	1
9	02205480	TURBINE HUB T 200 25/120	1
11	02203370	KEY 5 X 10	1
12	02205500	SHAFT,IMPELLER 25/120	1
13	02205510	KEY 6 X 50	1
14	02201670	BEARING,6204-2RS	1
15	02205521	SPACER 1.795 LONG	1
17	02203240	STOP RING I47	1
18	02203230	RETAINING RING E20	1
19	02205920	PLLY,100MM,75MM,53MM3STEP W/SETSCR	1
20	02205941	BELT AX 68	1
21	02204140	HAND GRIP MOD. 1040-20X6	1
22	02205570	LEVER,BY-PASS	1
23	02205580	LEVER, BY-PASS - 25/120	1
24	02205590	O-RING 15.54MM ID X 2.6MM	2
25	02203190	KEY 6X10	2
26	02203050	SCREW,6-1MM X 16MM	2

Turbine Assembly T-200 For T33A



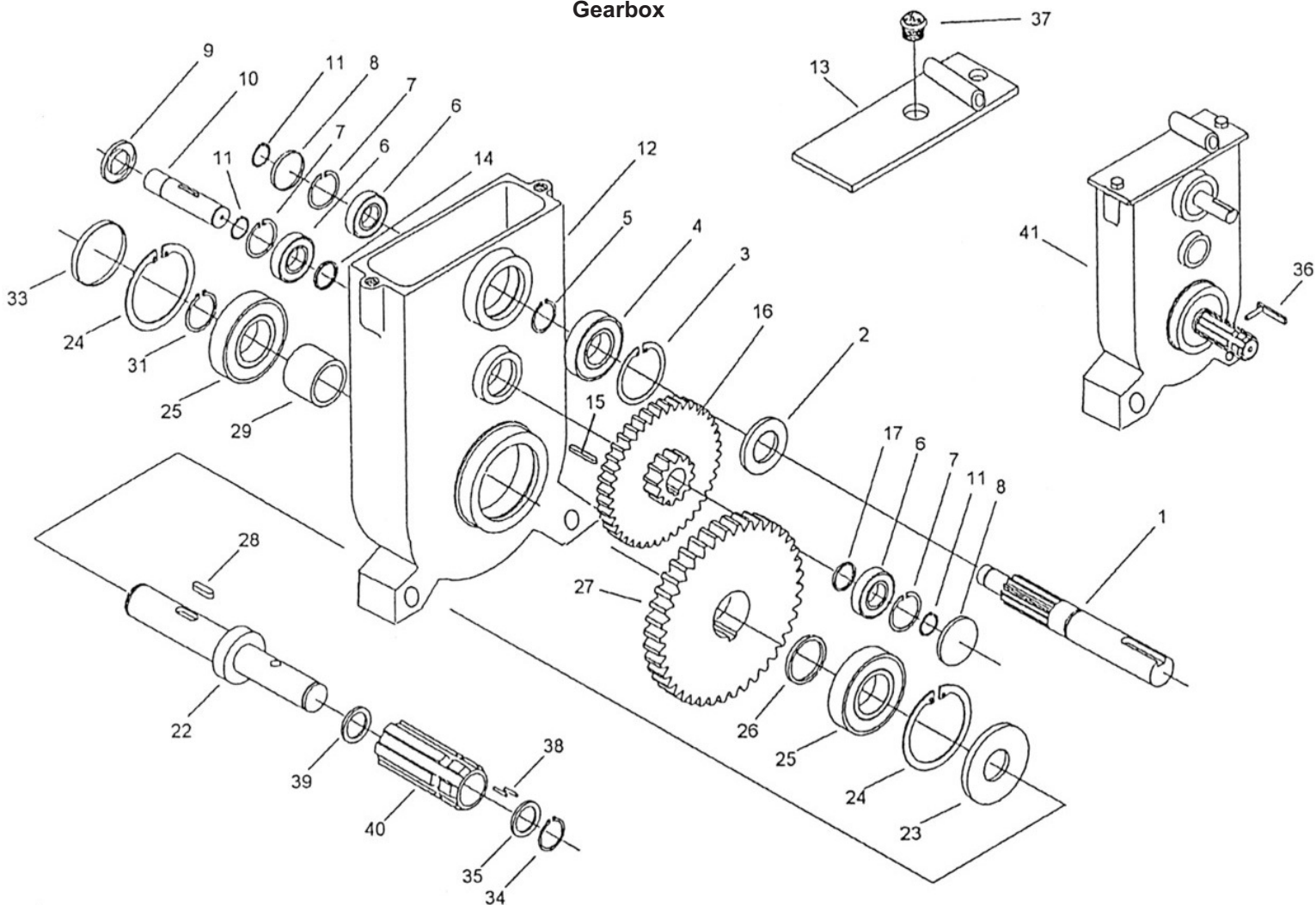
28	02205620	DISC,BY PASS	1
29	02205632	SHAFT,BYPASS W/GROOVES	1
31	59901460	GAUGE PROTECTOR	1
32	02205640	BY-PASS LEVER	1
33	02205650	WASHER,10 X 30	2
34	02206600	SPACER, 1" OD X 2.4" 8MM THREAD-FG1	1
35		Nut, M10	1
36	02203180	SPRING BELT TIGHTENER	1
37	02203170	PLATE,CLAMP	1
38	02203120	U-BOLT	1
40	02205740	ROD, BYPASS CONTROL "L" - D2 50"	1
41	02203162	HANDLE, SLOTTED WITH THREAD	1
42	02205660	REGULATOR FLAP WITH PIN	1
43	02203310	O-RING 8.73MM ID X 1.78MM CS	2
46	02205690	ROD, OUTER CMPNSTR - AA/A1/D2 47.9"	1
48	02203410	ROD END	1
49	02203021	BODY,TURBINE 25/120	1
49A	02208340	COVER,IMPELLER	1
50	02204840	O-RING 104MM X 3.53MM	2
51	02205710	SUPPORT - FG1	1
54	58606750	GAUGE, PRESS 0-300	1
55	02204572	ELBW,UPPER(T-33A,E33A)	1
56	02203890	HINGE	1
57	02203880	SHIELD, BELT	1

Turbine Assembly T-200 For T33A



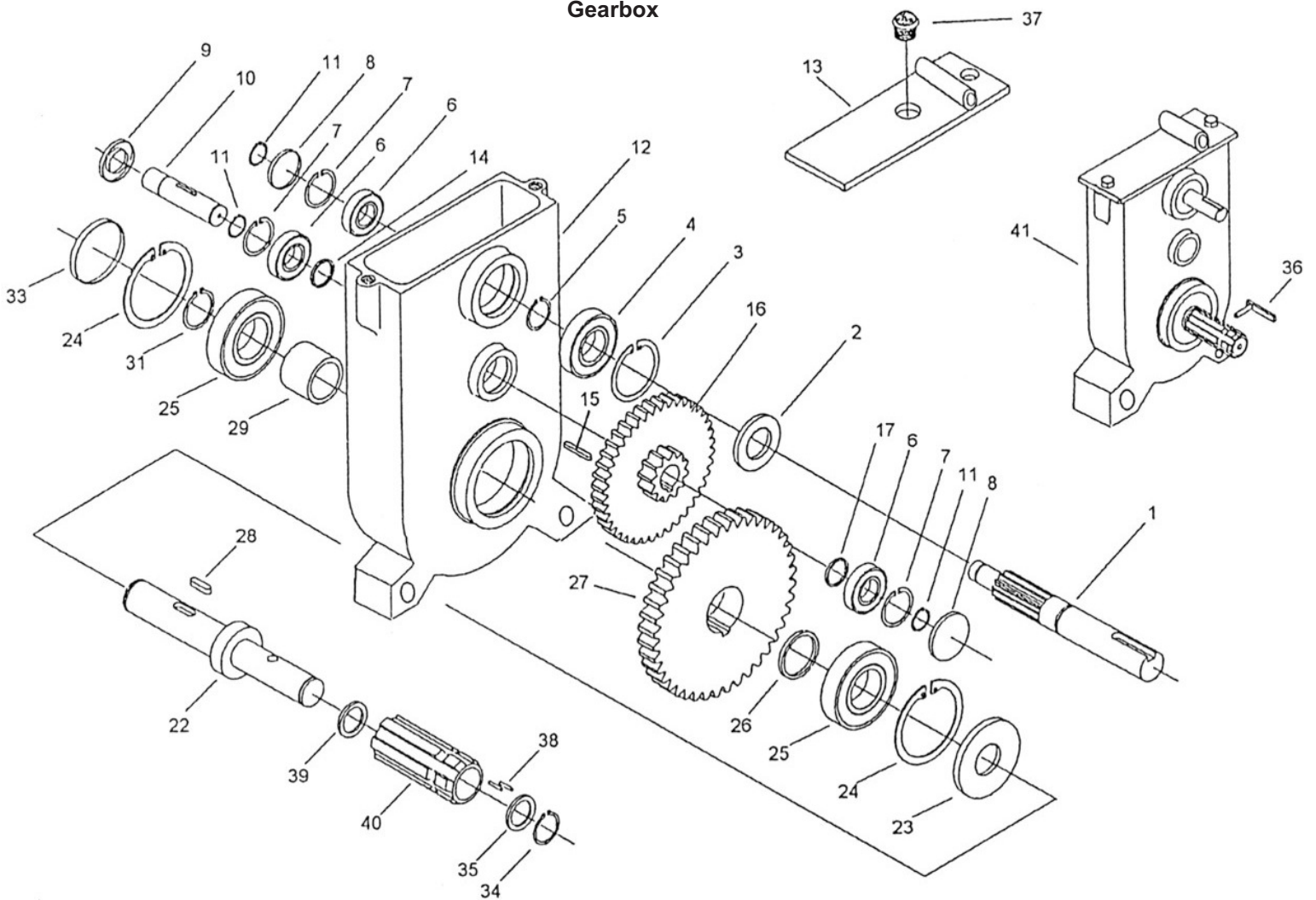
58	02205720	O-RING 278.99MM ID X 3.53C/S	1
60	02205730	PLATE, STOP 25/120	1
61	02203910	HAND WHEEL KNOB	1
64	02204830	FITTING, ENTRY - 25/120 TURBINE	1
65	99070300	KIT, RUNNER OVERHAUL - 25/120	1
66	02201671	BEARING,5204-2RS	1
67	02206480	ARM, COMPENSATION - FG1	1
68	02203130	ROD, INNER COMP. AA AND A1	1
69	02206500	LOOP, COMPENSATOR - 10/50, 25/120	1
70	02206610	SPACER, 10MM THREAD - FG1	1
	59900020	TURBINE ASM, 25/120	1

Gearbox



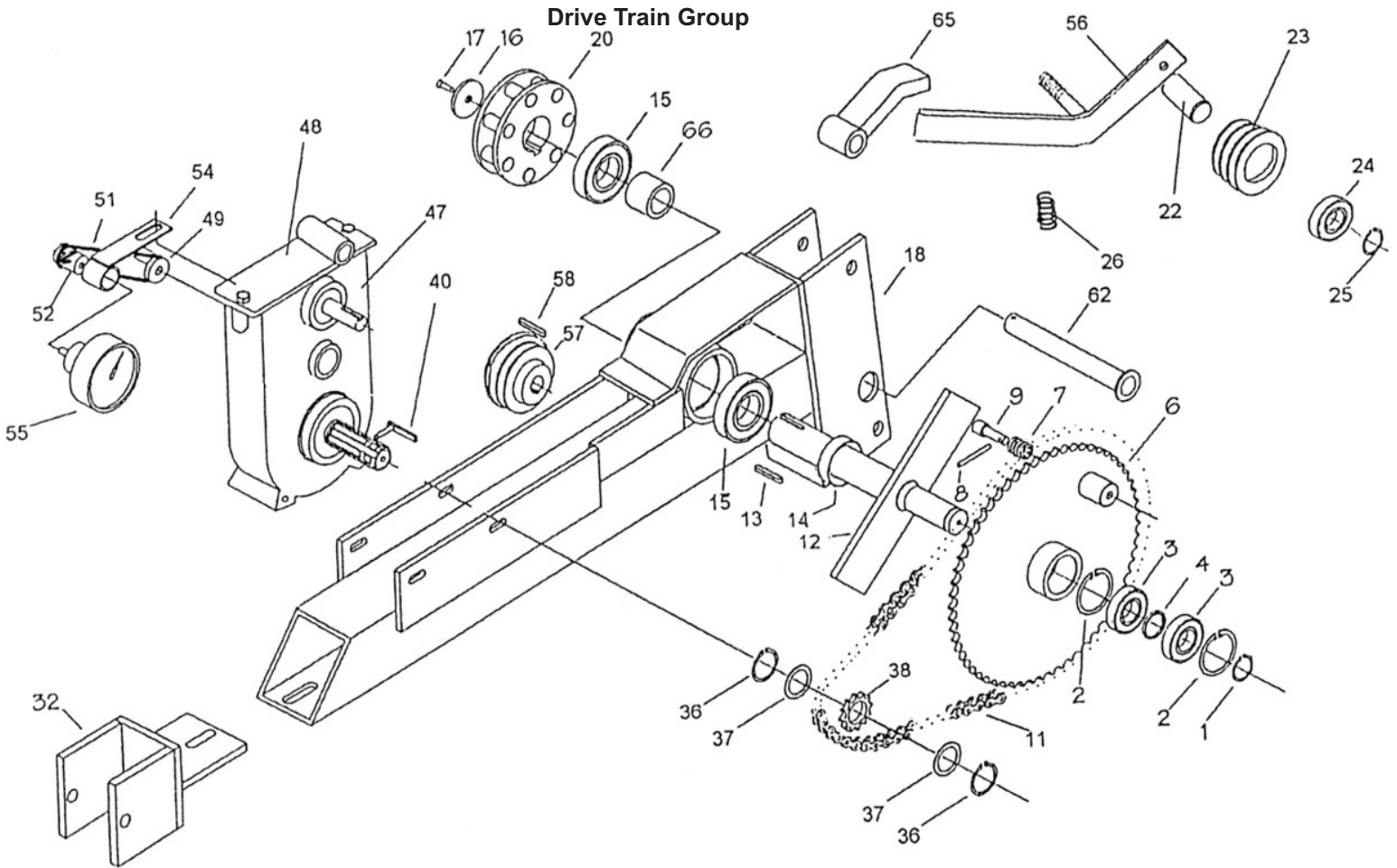
No.	Part Number	Description	Oty.
1	02201640	SHAFT, GEARBOX INPUT- A1 49.5-1 BOX	1
2	02201650	SEAL,20MM X 47MM X 7MM	1
3	02203430	SNAP RING I 47	1
4	02201670	BEARING,6204-2RS	1
5	02201680	RETAINING RING E20	1
6	0220169	BEARING,6201	3
7	0221700	STOP TURRET PIN	3
8	02201710	FREEZE PLUG	1
9	02201720	SEAL,12MM X 32MM X 7MM	1
10	02201730	SHAFT	1
11	02201740	SNAP RING, E12	3
12	02201961	Gearbox Body	1
13	02201971	Gearbox Cover	1
14	02201750	SHIM 12 X .5	1
15	02201760	KEY 4 X 10	1
16	02201770	GEAR, DOUBLE	1
17	02201780	Shim i12 x 1	1
22	02210260	SHAFT ASSM R93 7-1/4" OAL	1
23	02201800	SEAL,OIL 35X62X7	1
24	02201810	SNAP RING I62	1
25	02201820	BEARING,6206	1
26	02201830	SHIM SP:3	1

Gearbox



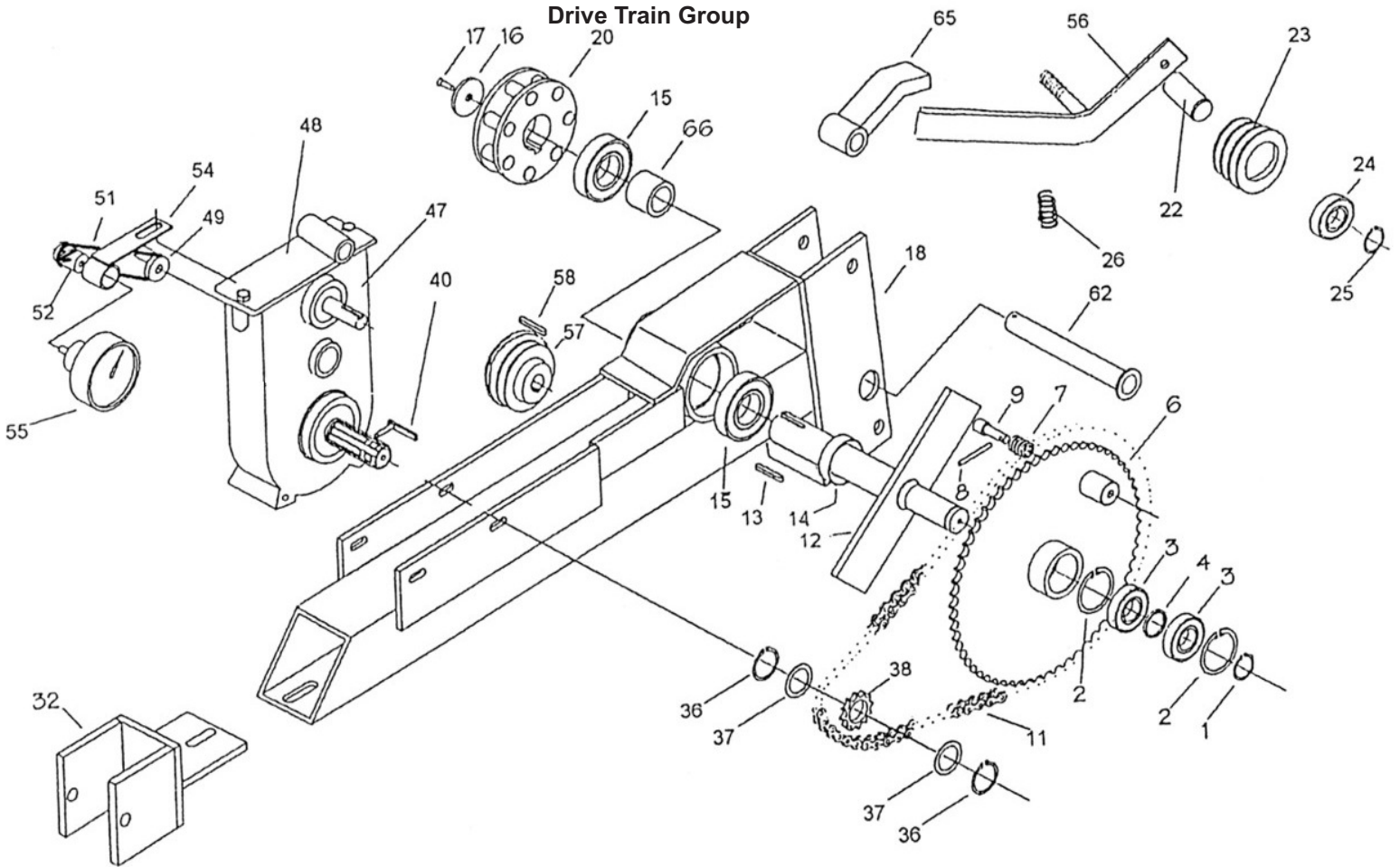
27	02201840	Pinion Z72M2	1
28	02201850	KEY, 8MM X 8MM X 20MM	1
29	02207110	SPACER, 33X42X19.5	1
31	02201870	STOP RING E30	1
33	02206240	PLUG DIA 62	1
34	02201890	RING,STOP BASE A1 75MM E18	1
35	02201900	SPACER DIA18X2.8BASE A175	1
36	02201910	SAFETY KEY & THREADED PIN	1
37	02206410	BREATHER, 1/4"	1
38	02201930	PIN,BEARING 2X17.5	62
39	02201940	SPACER 22 X 3	1
40	02201950	PIN,SPLINED BASE A1 75MM	1
41	02204391	GEARBOX D2&A1	1
42	02201210	SHIELD,PTO SPLINE	1
43	02204790	PTO Rewind Crank (Not Shown)	1

Drive Train Group



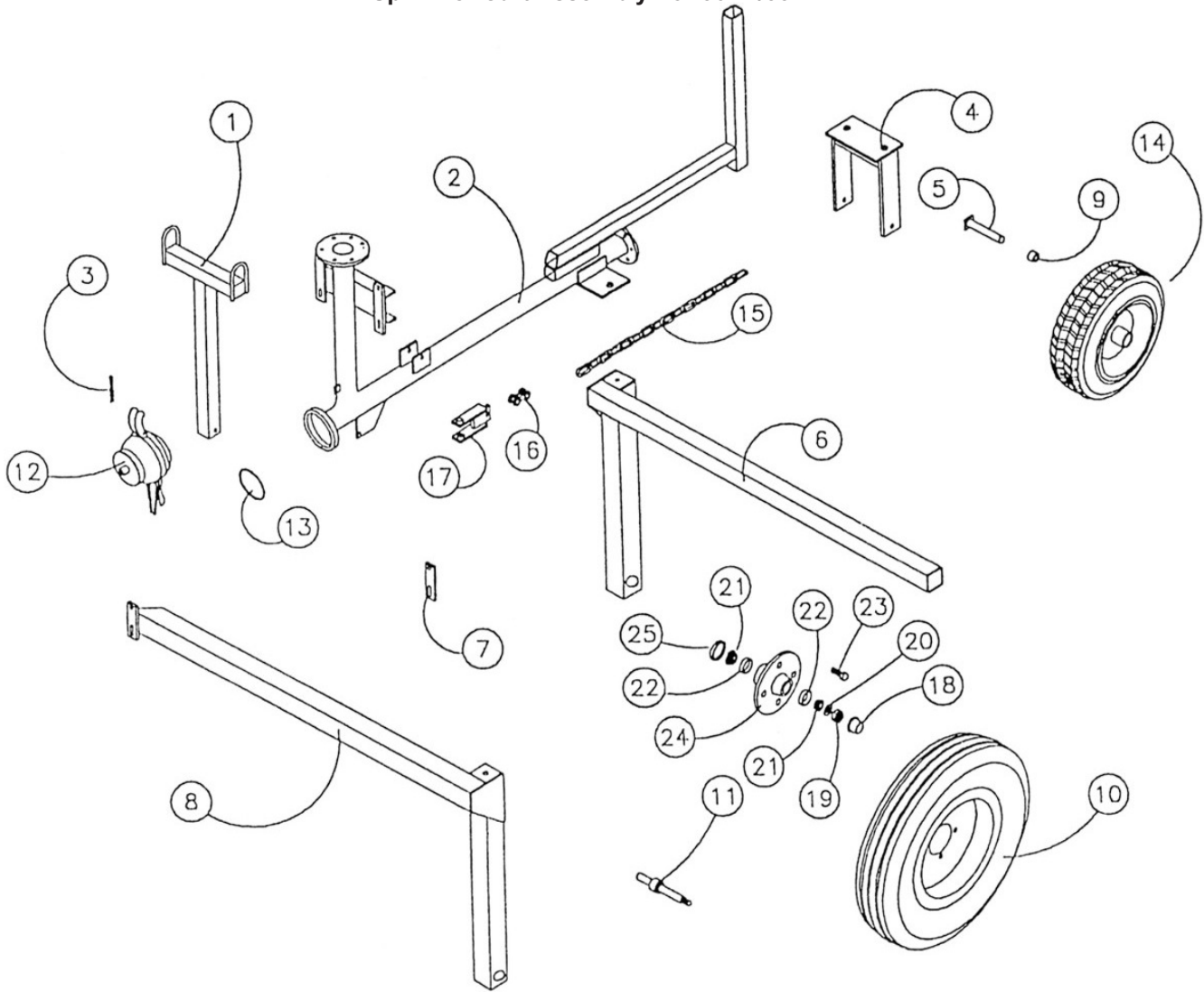
No.	Part Number	Description	Oty.
1	02203420	SNAP RING E25	1
2	02203430	SNAP RING I 47	2
3	02203440	BEARING,6005-2RS	2
4	02203450	SPACER DIA. 26	2
6	02203461	SPROCKET,CLUTCH	1
7	02203470	SPRING	1
8	02203480	PIN	1
9	02203490	PIN	1
11	02001141	CHAIN 5/8 METRIC ROLLER PER FT.	ft. 4.79
11a	30216441	LINK,5/8 OFF-SET	1
11b	30203671	LINK,5/8 CONNECTING	1
12	02204590	SHFT,DIA 40MM/25MM 8.6"OAL - D2	1
13	02204600	KEY 8MM X 12MM X 40MM	1
14	02204610	SPACER DIA. 40MM X 50MM X 1MM	4
15	02204620	BEARING,6208-2RS	2
16	02203590	WASHER,SPECIAL	1
17	55070110	SCREW 10MMX25MM ALEN FLAT	1
17a	55070112	SCREW 10MMX35MM ALEN FLAT	1
18	02204640	Support	1
20	02205051	PINION, 40MM BORE M20 PIN -FF1/D2	1
22	02206530	SHAFT,BELT IDLER	1
23	02206540	PULLEY IDLER 3 GROOVE	1
23a	52660600	IDLER ASSY	1
24	02203440	BEARING,6005-2RS	2
25	52662540	RING,RET EX	1

Drive Train Group



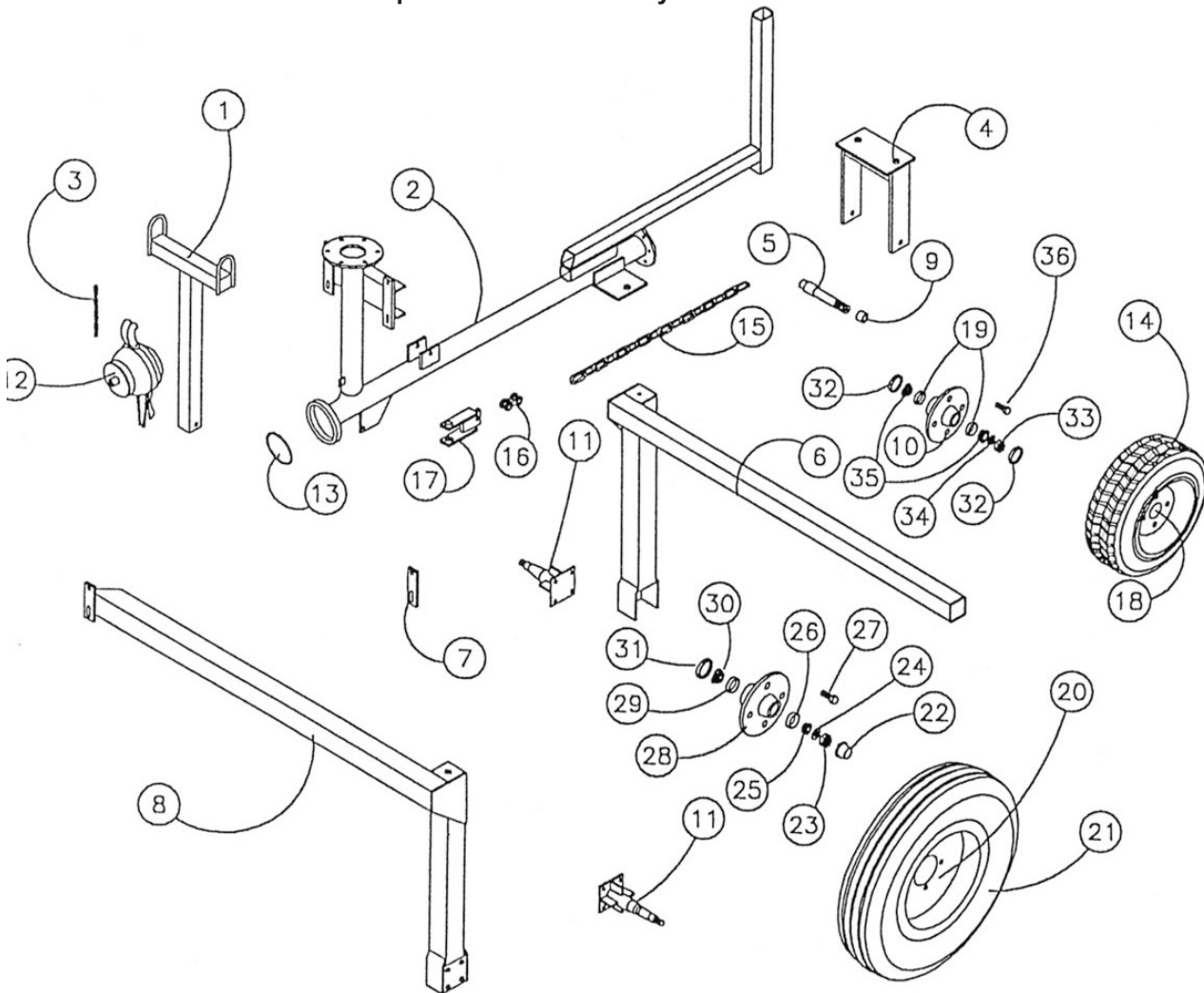
26	02203180	SPRING BELT TIGHTENER	1
32	02203720	END SUPPORT D2	1
36	02205340	SNAP RING E35	2
37	02205350	SPACER, 35MM X 45MM X 1MM	2
38	02203620	SPROCKET, 5/8 12	1
40	02201910	SAFETY KEY & THREADED PIN	1
47	02204391	GEARBOX D2&A1	1
48	02201971	Gearbox Cover	1
49	59504822	PULLEY,TACH-FOR D2 90/100	1
51	02203661	BELT, TACH, DIA 3.5MM X 590MM	1
52	59404411	PULLEY,TACH .966	1
54	02203670	BRACKET, TACHOMETER	1
55	02201200	TACHOMETER ASM,0-400 FT/HR A SERIES	1
56	02206510	ARM, IDLER - D2/FF1/FG1/MF1/MG1/2	1
57	02205930	PLLY,3 STEP 100,125,147 W/SETSCRW	1
58	02205510	KEY 6 X 50	1
62	02203710	PIN,ANTI-RETURN PAWL AR4/5/6/7	1
65	02203560	PAWL,NON RETURN D2 & A1	1
66	02204630	SPACER	1
	02201210	SHIELD,PTO SPLINE	1
	02205931	PULLEY,166MM 191MM 213MM	1

Sprinkler Cart Assembly For 30LP/33LP



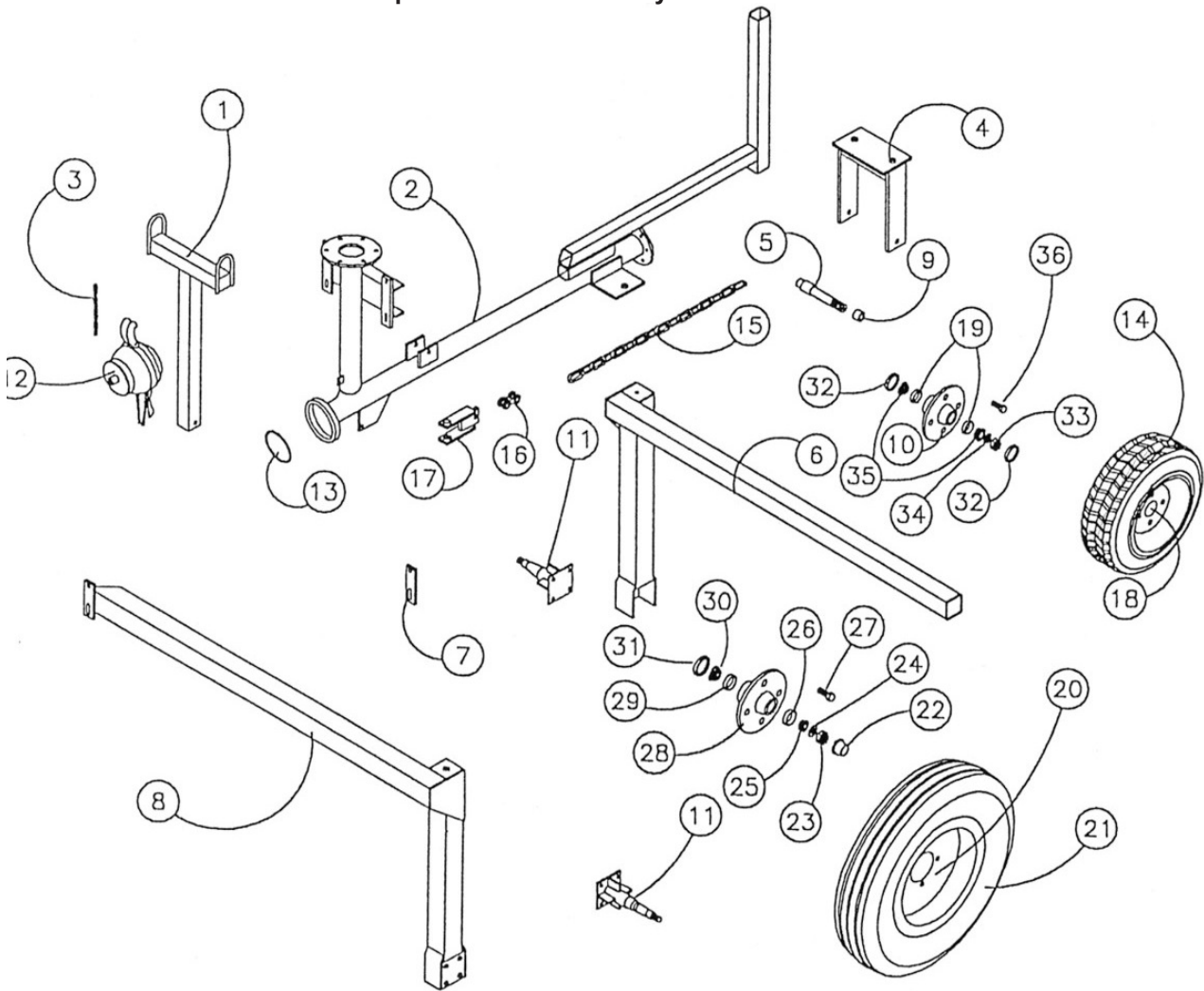
No.	Part Number	Description	Oty.
1	59405760	BAIL,LIFT	1
2	59601300	BODY A1&D2	1
3	85040590	CHAIN,3/16PROOF COIL PLTP	ft. 0.833
4	58801482	YOKE A1 CART	1
5	58608991	AXLE,B160,B140,27/30CART	1
6	59504290	LEG,INNER,25 GUNCART	1
7	58706411	STRAP	3
8	59504260	LEG,OUTER,25 GUNCART	1
9	58608441	SPACER, WRT4	2
10	58602293	WHEEL&TIRE,4:80X12 4BOLT	2
11	59601370	SPINDLE,A1 CART REAR AXLE	2
12	59703121	PLUG,WITH LEVER,BALL 3"	1
13	58800223	SEAL RING 3" 4.5 X 3.5 X 1/2	1
14	58602290	WHEEL&TIRE,480/400X8 1B 2P	1
15	85040600	CHAIN,3/8 PROOF COIL PLTD	ft. 3
16	52353941	CLEVIS,DBL CMBL 542-3301	2
17	52354210	HITCH, CHAIN	1
18	58803561	CAP,HUB	2
19	58803562	NUT, SLOTTED NF 3/4"	2
20	58803567	WASHER,SPINDLE WIL913608	2
21	50702930	KIT, CUP AND CONE SET	1
22	50702930	KIT, CUP AND CONE SET	1
23	58803560	BOLT,LUG WILT 913535	8
24	58803564	HUB,WITH RACES ONLY W440	2
25	58803565	SEAL,CR12437	2

Sprinkler Cart Assembly For 30A & 33A



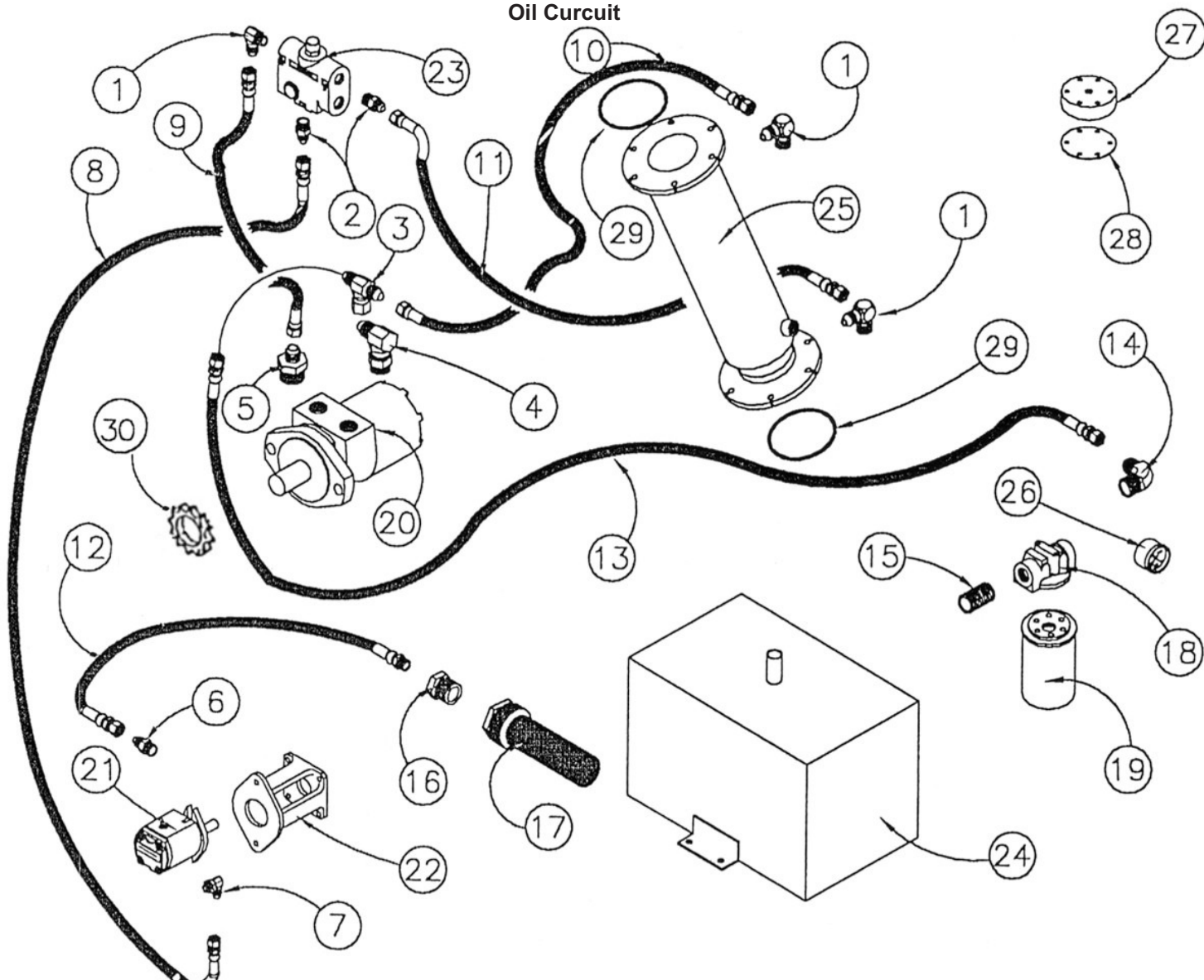
No.	Part Number	Description	Qty.
1	59100031	BAIL,LIFT	1
2	59504870	BODY GUNCART 30	1
4	59500030	YOKE FRONT GUNCART	1
5	06010199	AXLE,FRONT	1
6	59504980	LEG,INNER 30 CART	1
7	59406030	STRAP,CLAMP	3
8	59505020	LEG,OUTER 30 CART	1
9	06002450	SLEEVE	1
10A	58803564	HUB,WITH RACES ONLY W440	1
10B	59503820	HUB & AXLE ASSM GUNCART40	1
11	59504930	SPINDLE,REAR GUNCART	2
12	59406100	PLUG,GUNCART	1
13	58800233	SEAL RING 4" 6-3/8 OD X 9/16	1
14A	59302650	TIRE,16X6.5X8 4 PLY	1
14B	59302651	TUBE,INNER 16X6:50X8	1
15	85040600	CHAIN,3/8 PROOF COIL PLTD	ft. 3
16	52353941	CLEVIS,DBL CMBL 542-3301	2
17	52354210	HITCH, CHAIN	1
18A	59302640	WHEEL,8X5.75 4BOLT 4BCD	1
18B	59506060	WHEEL&TIRE,16X6:50X8 4PG	1
19	50702930	KIT, CUP AND CONE SET	2
20	50201740	WHEEL&TIRE ASSY 6.70X15 5"BCD4BOLT	2
21A	22702560	TIRE,6.70X15 4 PLY	2

Sprinkler Cart Assembly For 30A & 33A



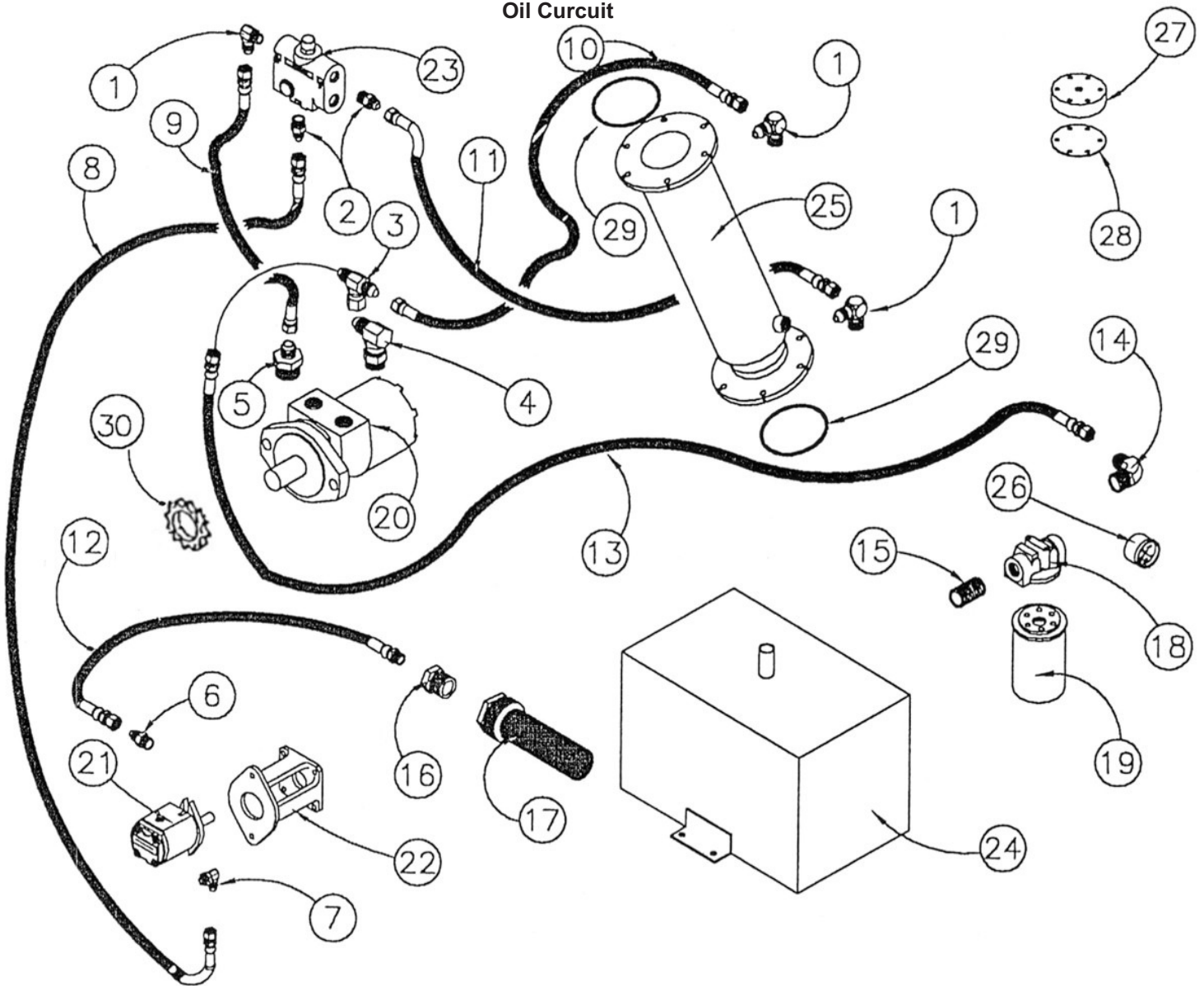
21B	22702561	TUBE,INNER 5:90 & 6.70X15	2
22	22709360	CAP,HUB	2
23	55209440	NUT,SLOTTED NF 5/8	2
24	55306280	BUSH,MACH 1-1/2X1X18GA	2
25	51509420	BEARING,TIMKEN LM11949	2
26	51009410	RACE,OUTER LM11910	2
27	58900630	Bolt, Wilton 9435491	8
28	58900650	HUB,WITH CUPS ONLY W633	2
29	51009400	RACE,LM67010	2
30	51509390	BEARING,TIMKEN LM67048	2
31	58900660	SEAL,CR14975	2
32	58803565	SEAL,CR12437	2
33	55116020	NUT,SLOTTED NF 1"	1
34	58803577	Washer Wilton 913535	2
35	58803563	BEARING,TIMKEN L44643	2
36	58803560	BOLT,LUG WILT 913535	4

Oil Circuit



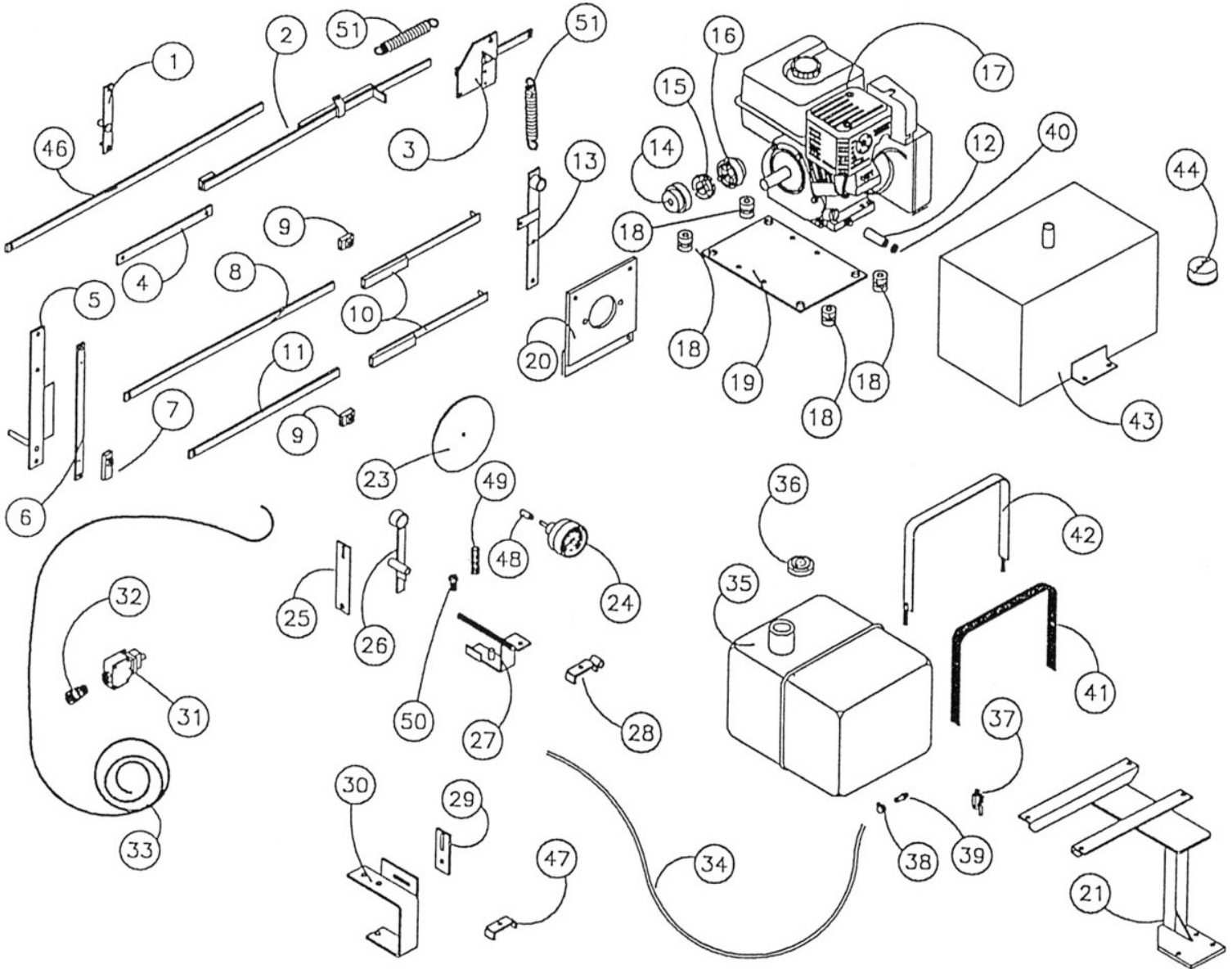
No.	Part Number	Description	Oty.
1	59501220	ADPTR,8MJICX1/2MNPTX90DEG	1
2	59501210	ADPTR,8MJICX1/2MNPT	2
3	59501200	ADPTR,8MJICX8FJIC-SWX8MJI	1
4	59501160	ADPTR,8MJICX10MSAE-90 DEG	1
5	59506040	ADPTR,8MJICX10MSAE	1
6	59502010	ADPTR,8MJICX8MSAE	1
7	59502020	ADPTR,6MJICX6MSAEX90DEG	1
8	59505970	HOSE,8FJICX6FJIC90.38 107	1
9	59506030	HOSE,8FJICX8FJIC 3/8 23"	1
10	59506010	HOSE,8FJICX8FJIC 3/8 45"	1
11	59506020	HOSE,8FJICX8FJIC90.38 46"	1
12	59505980	HOSE,8FJICX1/2MNPT 1/2 31	1
13	59505990	HOSE,8FJICX8FJIC 3/8 94.5	1
14	59502040	ADPTR,8MJICX3/4MNPTX90DEG	1
15	52501601	NPPL,CLOSE BR 3/4	1
16	52549561	BSHNG, RDCNG BR 3/4 X 1/2	1
17	59500801	FILTER HYD OIL 1-1/2X3/4	1
18	59501060	HEAD,OIL FILTER	1
19	59501070	FILTER,SPIN HYD OIL	1
20	59500984	MOTOR HYD MK 12	1
21	59501270	PUMP,HYDRAULIC 4	1
22	59501320	ADPTR,FLANGE,PUMP-ENG4&5.5	1
23a	59501290	CONTROL,FLOW 4GPM	1

Oil Circuit



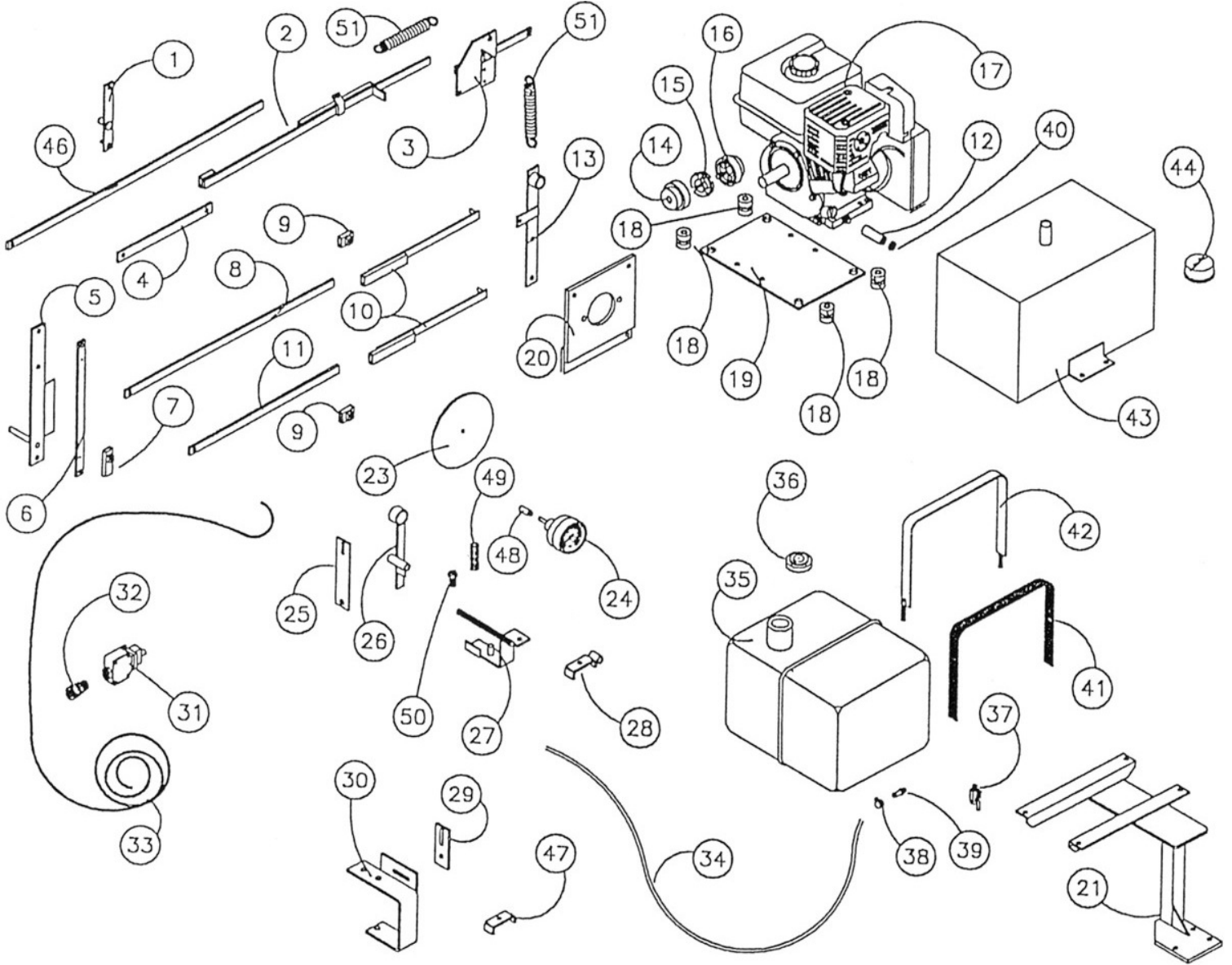
23b	59600820	O-RING,15/16 X 3/4 X 3/32	1
24	58600480	TANK,OIL 4.8 GAL	1
25	59505300	OIL COOLER	1
26	59501080	GAUGE,OIL FILTER	1
27	58606901	BODY,GAUGE PROTECTOR-TOP	1
28	58700460	DIAPHRAGM,GAUGE PROTECTOR	1
29	02204840	O-RING 104MM X 3.53MM	1
30	88003710	SPRKT,50B12 1 BORE	1

Engine Drive Assembly



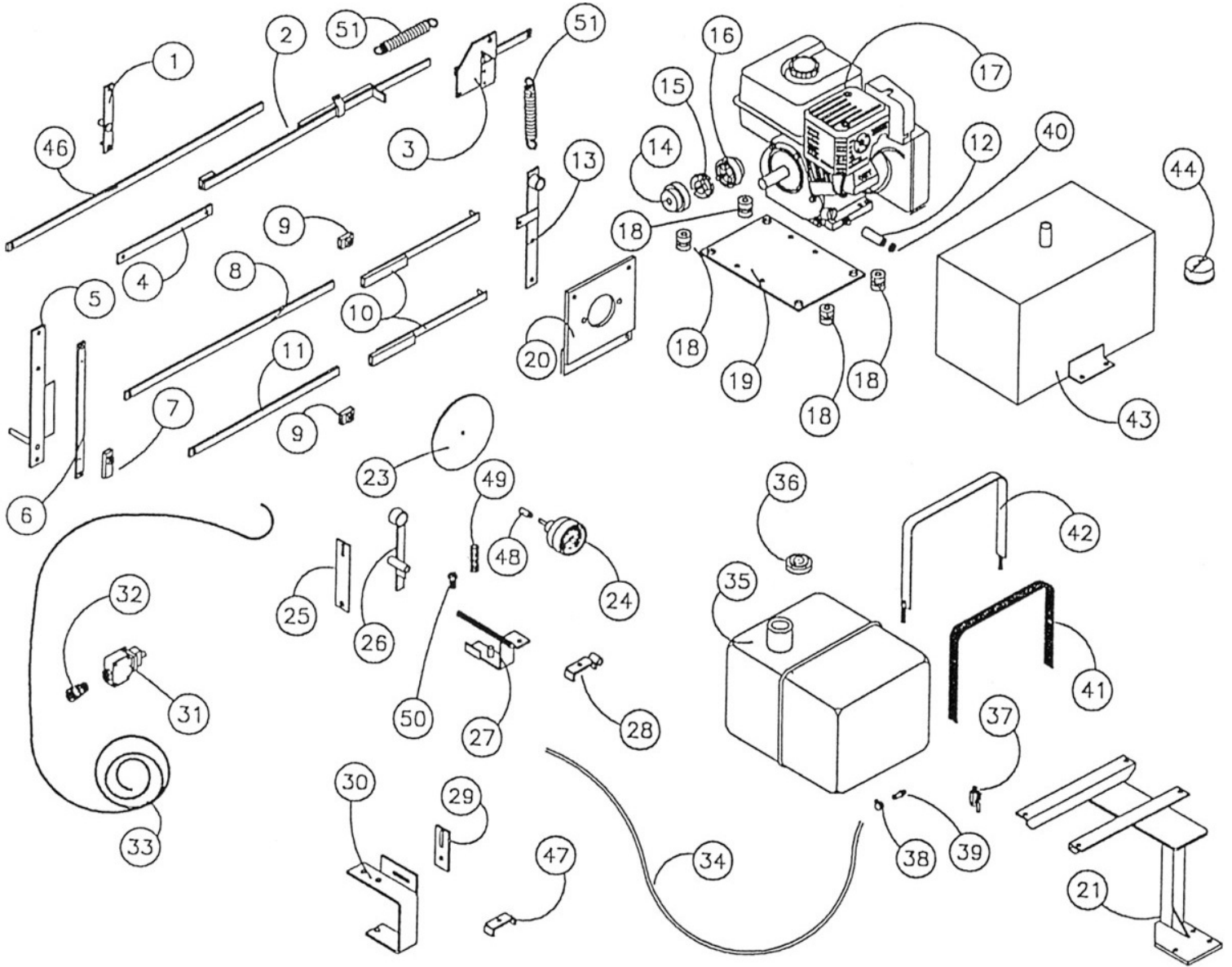
No.	Part Number	Description	Oty.
1	59505180	MT.SHUT OFF ROD	1
2	59505160	SHUT OFF BAR	1
3	59505100	SWITCH MT.	1
4	59505190	LINK,SHUT OFF	1
5	59404501	Arm	1
6	59404490	LINK	1
7	50206540	SLIDE, SPEED ADJUST	1
8	59505170	SHUT OFF ROD (SWITCH)	1
9	59404480	SLIDE	5
10	59505930	SHUT OFF SLIDE (HYD)	2
11	59505220	COMP. BAR	1
12	59700001	Drain extension with aluminum washer	1
13	59404561	ARM	1
14	59501310	CPLNG,HALF PUMP 1/2" BORE	1
15	59501030	CPLNG,RUBBER 25 THROUGH40	1
16	59501300	CPLNG,HALF ENG 3/4" BORE	1
17	58407018	ENGINE,4 HP B&S	1
18	59404260	DAMPENER,MOTOR MT.	4
19	59505550	PLATE 4HP	1
20	59505050	MT.HYD.MOTOR	1

Engine Drive Assembly



				1
21	59602630	GAS TANK MT. 30		1
23	59602761	TACH PULLEY WITH TIRE		1
24a	02201200	TACHOMETER ASM,0-400 FT/HR A SERIES		1
24b	59603010	O-RING, (BELT) 5MM X 17-1/4		1
25	59505760	STRAP		1
26	59505740	TACH HOLDER		1
27	59505680	TACH MT		1
28	59505500	CLAMP		3
29	59505510	STRAP		1
30	59505530	BRKT		1
31	52662151	SWITCH 6 X 613		1
32	52662170	GROMMET,CMPRSSN 1/2 NPT		1
33	58406700	WIRE,ELECT.3 WIRE 14 GA	ft.	10.6
34	58406953	HOSE,GAS 5/16	ft.	2
35	58406930	TANK,FUEL&CAP 5.3GAL		1
36	58406939	CAP,TANK-5.3 GAL GAS		1
37	59603720	VALVE 1/4 TURN 1/8FNPT X 1/8MNPT		1
38	56048450	CLAMP,SCREW 7/32X5/8		2
39	59603660	BARB, 5/16 HOSE 1/8MNPT		2
40	59700400	WASHER,ALUM .56X.8X.078 T		1
41	58701670	BELTING,NEOP 5 PLY 1 IN	ft.	6.5

Engine Drive Assembly



42	58406210	STRAP, GAS TANK	2
43	58600480	TANK,OIL 4.8 GAL	1
44	59501240	CAP,TANK-OIL	1
46	59505910	SHUT OFF ROD (HYD)	1
47	59404170	CLAMP,HYD HOSE	2
48	59602770	TACH PULLEY A1 & D2	1
49	45048580	SPRING,COMP 2-1/2X1/2ID PLTD	1
50	59600310	SPRING CATCH	1
51	45035360	SPRING TNSN 1 X 6 PLATED	2