



---

**Turbine Drive Water-Reels®  
Engine Drive Slurry-Reels**

---

T37A

E37A

# Parts Manual

Serial No. 320,000 - 329,999

FF1



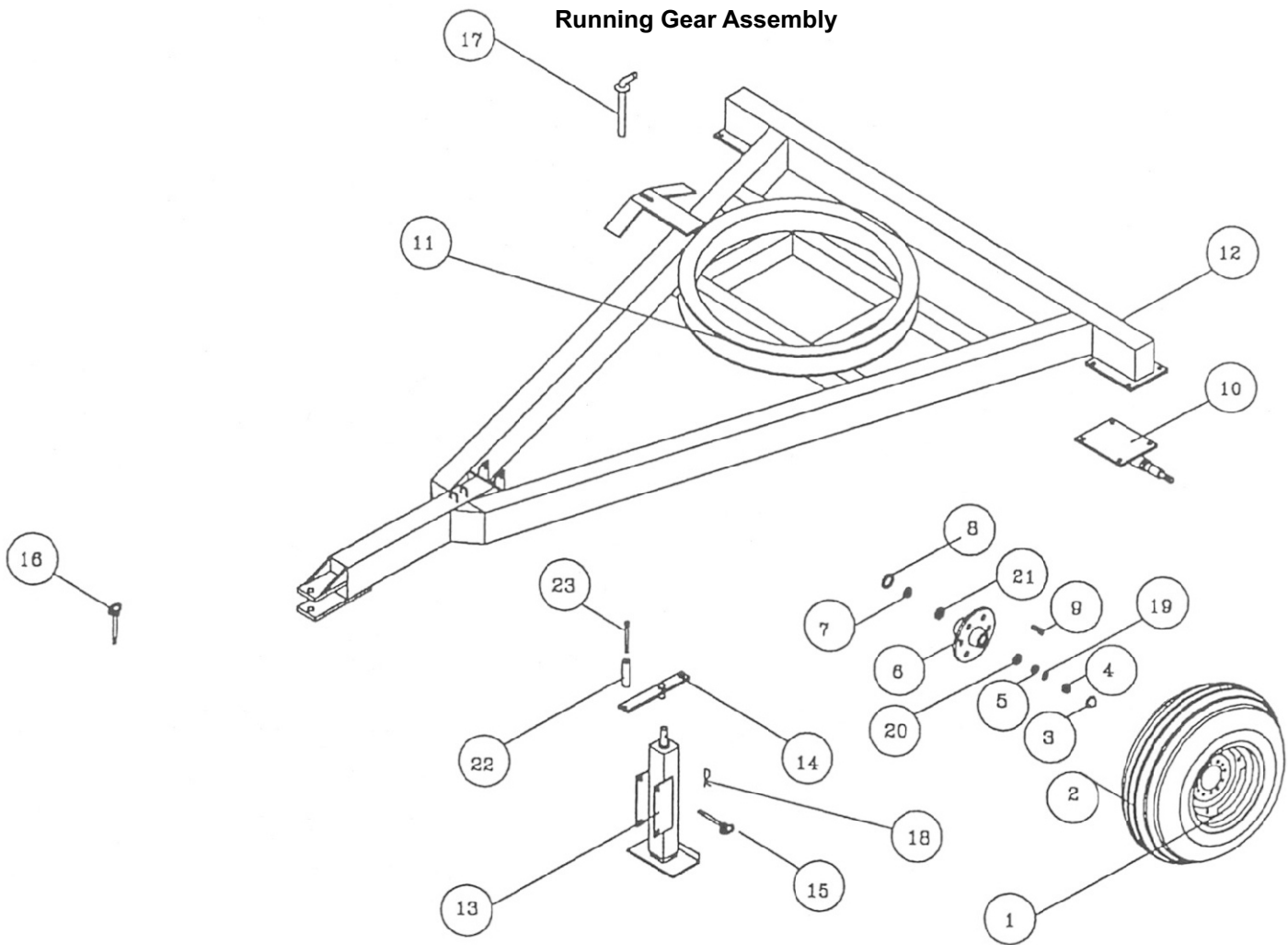
**AG-RAIN®**

700 S. Schrader Ave.  
Havana, Illinois 62644  
Phone: 309-543-4425  
Fax: 309-543-4945

For Parts that are described as "Left" or "Right" the water inlet side of the machine is considered the right side

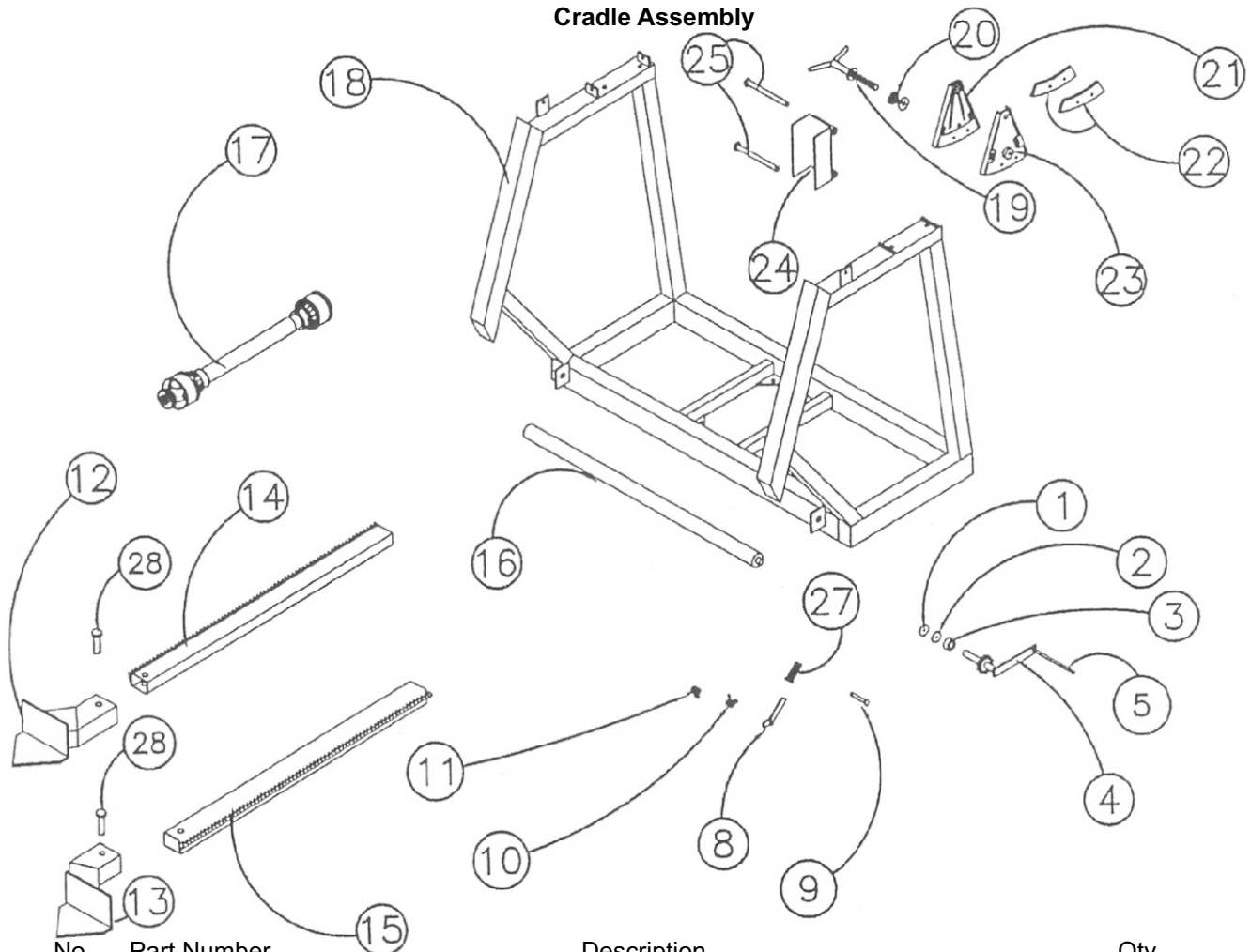
Items Such as common fasteners, grease fitting, and other small parts easy to acquire locally are not listed.

## Running Gear Assembly



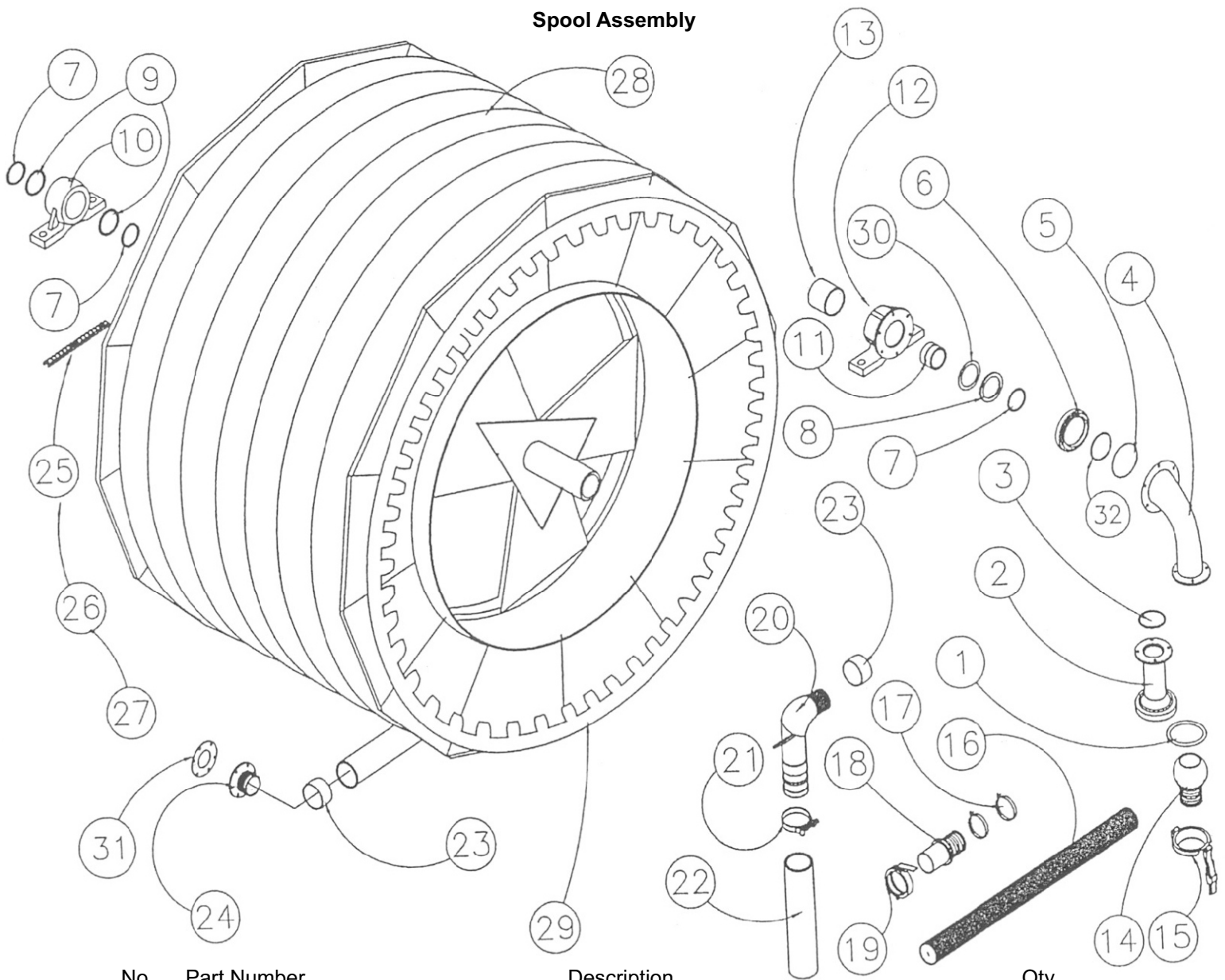
No.	Part Number	Description	Qty.
1	52651381	WHEEL, 15X10 6BOLT 6"BCD	2
2	52651370	TIRE, 12.5L-15 12 PLY	2
3	58902060	HUB CAP 615-21600#909903	2
4	58902070	NUT, SLOTTED 7/8 WIL912952	2
5	58902040	BEARING, TIMKEN LM25877	2
6	22615982	HUB ASSY, 6BOLT W803	2
7	58902030	BEARING, TIMKEN LM25590	2
8	58902050	SEAL, CR20148	2
9	58902020	LUG BOLT 9/16 X 1.12	12
10	58803971	AXLE, T-37-40	2
11	02099554	BEARING	1
12	59202320	CHASSIS, FF1 - LOW TONGUE WEIGHT	1
13a	58403300	JACK, TONGUE 41,45, T27-T40	1
13b	58403328	KIT, SCREW W/NUT	1
13c	58403309	BEARING, THRUST-THURSTON JACK	1
14	59403300	CRANK HANDLE	2
15	55832811	PIN, HITCH 3/4X4-1/8 ZN	1
16	52358660	PIN, HITCH 3/4 X 6-1/2	1
17	59504830	PIN, 3/4 X 5.75	1
18	56102040	PIN, HAIR .118DIAX2-11/16	1
19	58902080	WASHER, SPINDLE WILTON # 912952	2
20	58902010	RACE, OUTER LM25821	2
21	58902000	RACE, INNER LM25520	2
22	59403240	HANDLE	1
23	53230361	Screw, Allen Cap 1/2 x 5"	1

### Cradle Assembly



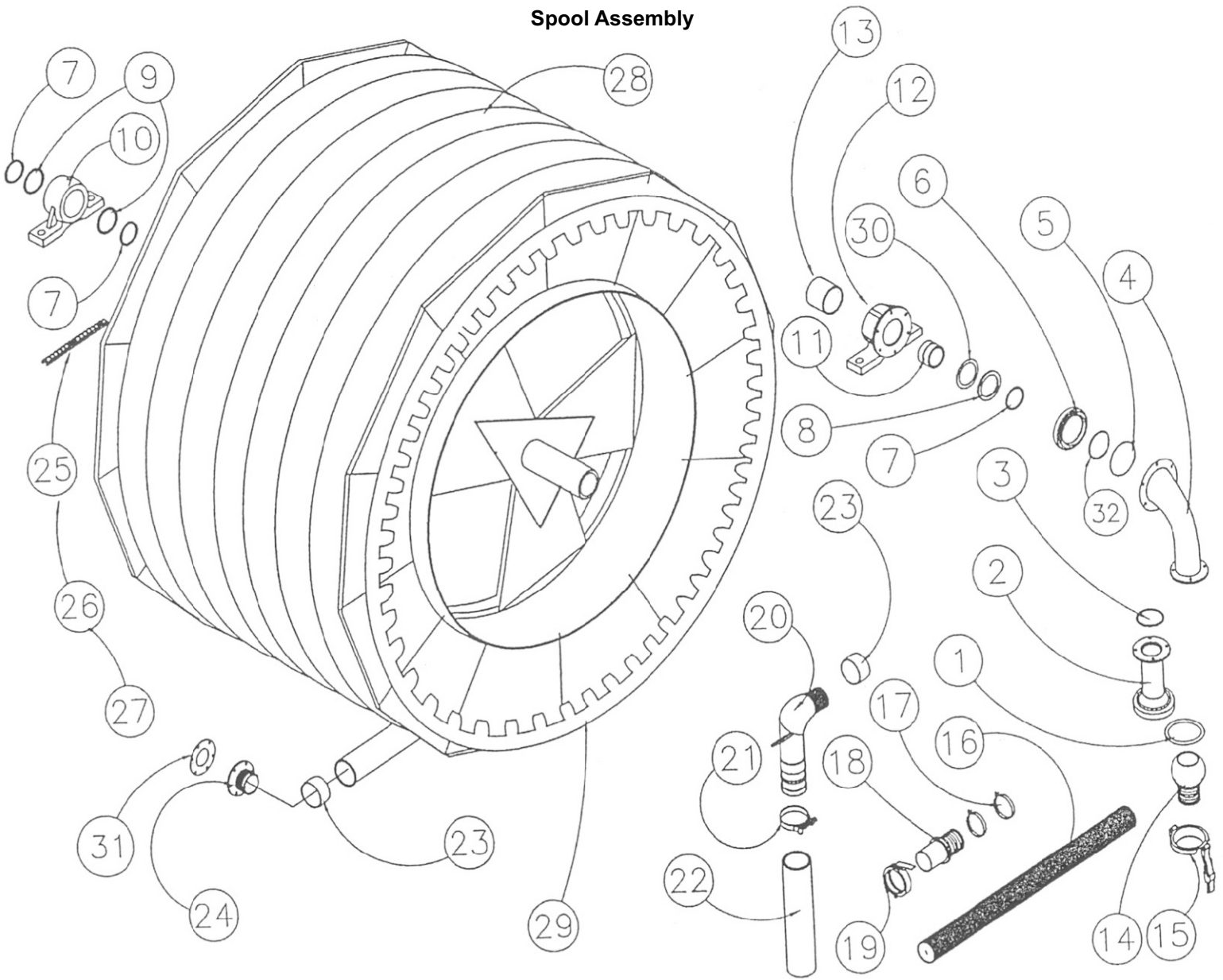
No.	Part Number	Description	Qty.
1	55170011	NUT,10-1.5MM NYLOC	4
2	02099058	NUT	2
3	02099059	SPRING, RUBBER STABILIZER	2
4	02099578	CRANK	1
5	02099048	HANDLE	2
8	02010127	HANDLE,PAWL	1
9	02010129	PIN .55 X 3.37 OAL	1
10	02010128	SPRING,RIGHT TORSION	1
11	02010135	SPRING,LEFT TORSION	1
12	02200040	FOOT,STABILIZER LEFT 37	1
13	02200050	FOOT,STABILIZER RIGHT 37	1
14	02200030	STAB. LEG 37, LT.	1
15	02200020	STAB. LEG 37, RT.	1
16	02002794	ROLLER,HORIZONTAL BASE G	1
17	30036044	SHAFT,PTO60"OAL#1 BUSH	1
18	59503258	Cradle 37 gear drive	1
19	02201590	SCREW,BRAKE CONTROL	1
20	02201560	WASHER,BRAKE SPRING	2
21	02201581	PLATE,BRAKE	1
22A	02204540	BRAKE PAD	2
22B	55070100	BOLT,8-1.25MM X 20 BR (for fastening brake pads to plate)	4
23	02201571	PLATE,THREADED BRAKE	1
24	02204483	BRAKE MT. ( FF1 )	2
25	02204533	Pin, Brake Support	1
27	02204140	HAND GRIP MOD. 1040-20X6	2
28	02099053	PIN	2

## Spool Assembly



No.	Part Number	Description		Qty.
1	58800233	SEAL RING 4" 6-3/8 OD X 9/16		1
2	02204830	FITTING, ENTRY - 25/120 TURBINE		1
3	02204840	O-RING 104MM X 3.53MM		2
4	02206551	ELBOW,UPPER FF-1		1
5	02204861	O-RING 154MM ID X 3.53MM		1
6	02208501	SEAL KIT,UNIVERSAL-FF1/AR6/7 27K+		1
7	02099061	SNAP RING E-110		1
8	02200090	WASHER,SLIP JOINT		3
9	02200380	SPACER,D2 SPOOL		1
10	02200150	BEARING,SPOOL FF1,37		2
11	59302450	NUT,SLIP JOINT, FF1, AG7 AR7 (SS)		1
12	02200130	BEARING,FLANGED FF1 (AG6-7)		1
13	02204871	SPACER,SPOOL(4.33ID 5OD 4.41LG)-FF1		1
14	58802561	HOSE END OUTLET - 4" BALL		1
15	58800231	LEVER RING 4" 451 108MM		1
16	25249620	HOSE, IRR SUPPLY REMNANT 4"(PERFT)	Ft.	30
17	03019240	SUPRA CLAMP 104MM-112MM		1
18	58802660	HOSE END INLET 4		1
19	40049270	BAND,RING LOCK 4 IN		1
20	02003107	ELBW,110MM TUBE		1
21	03019258	SUPRA CLAMP 112MM-121MM		1
22	02099111	HOSE 100 X 118MM, 33" LONG		4

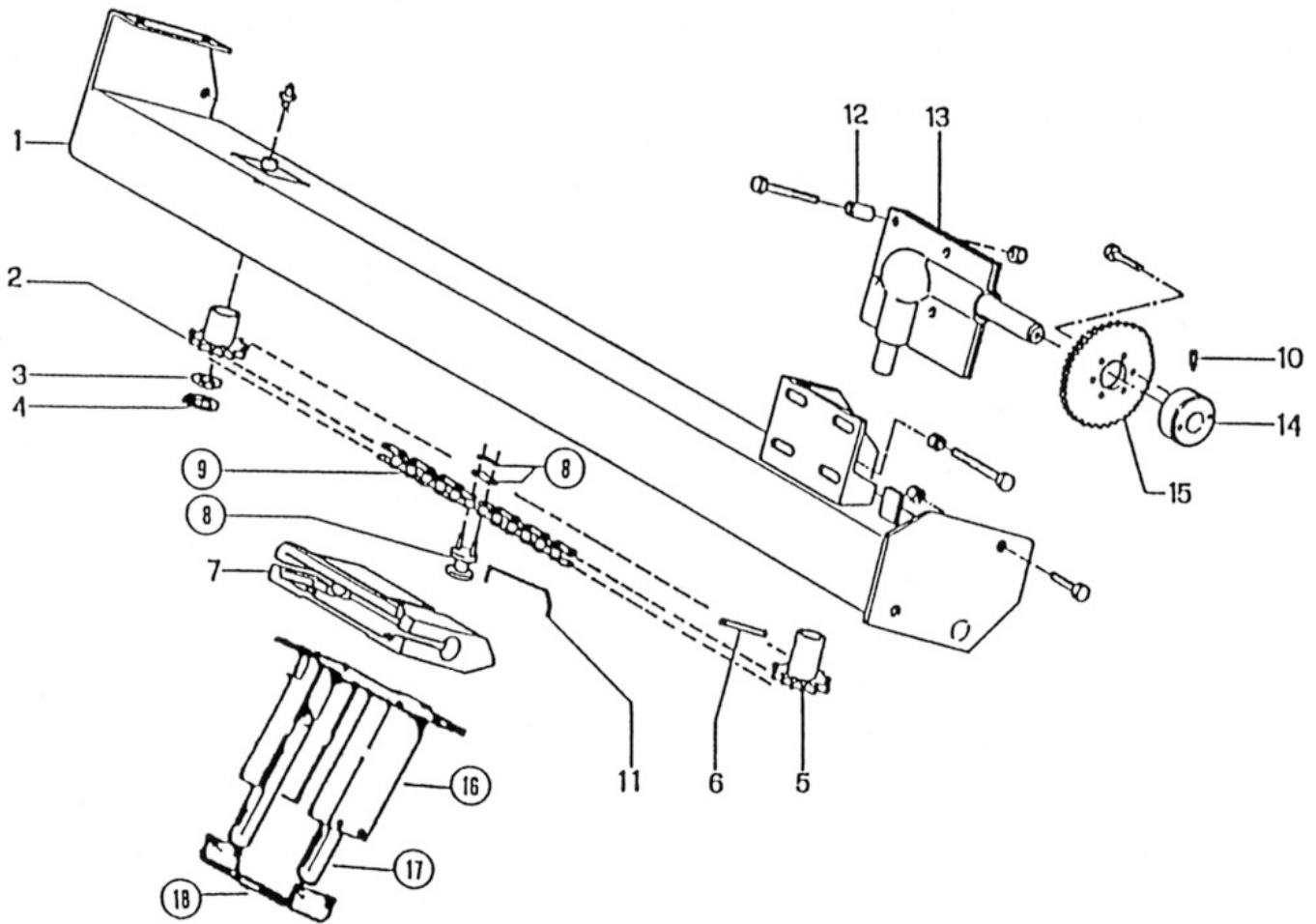
## Spool Assembly



23	02099115	BAND. HOSE 110MM		2
24	02218824	HOSE RING WITH FLANGE 110MM		1
25	02001140	CHAIN 1/2 METRIC ROLLER	Ft.	14
26	02201110	LINK 1/2 CONNECTOR		1
27	02201100	LINK, 1/2" OFF-SET METRIC		1
28	58401731	TUBE, PE 110MM X 3.7 ID X 1100 FT		1
29	02204581	Spool. Base FF1 Gear Drive		1
30	02200100	RING, ANTIFRICTION		1
31	02099202	GASKET, 5.75"BCD 4.3 ID		1
32	46548841	O-RING 3-7/8X3-3/8 90DURO		1

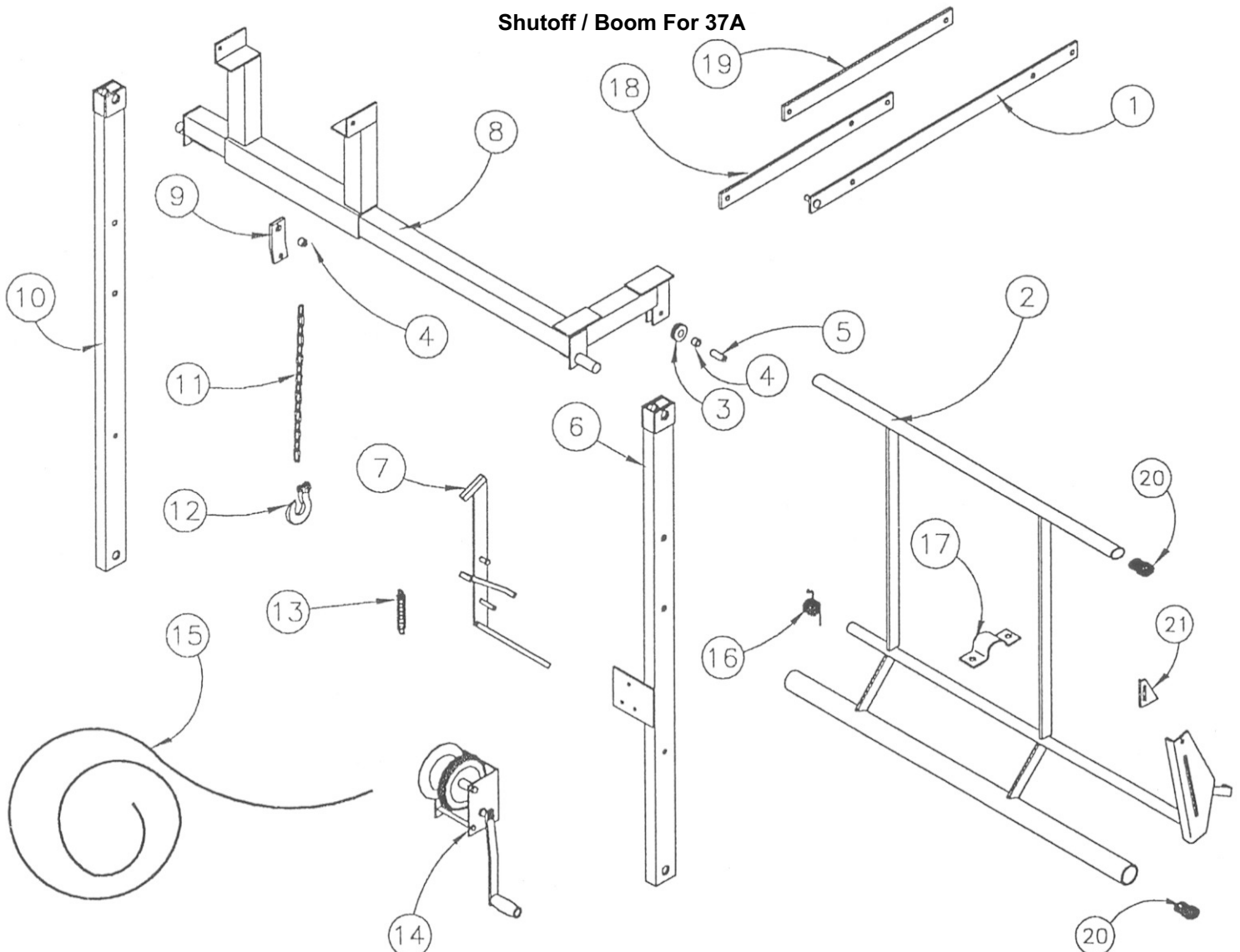
99070161 KIT, SEAL-37 27000 +

## Levelwind Assembly



		Description	Oty.
1	02200160	FRAME,HOSE GUIDE	1
2	02099148	SPRKT,IDLER Z10 1" PITCH 25MM BORE	1
3	55306280	BUSH,MACH 1-1/2X1X18GA	1
4	52662540	RING,RET EX	1
5	02209040	SPROCKET, 10 TOOTH 1.0" PITCH	1
6	58902140	PIN,SPRING 7MM X 45MM	1
7	02000141	SUPPORT,FORK	1
8	02099143	LINK,HOSE GUIDE	1
9	02004865	CHAIN 112 ROLLER OF 1"	1
10	02000152	SCREW,12MMX25MM DOGPOINT(7.5MM DIA)	1
11	02000776	CLIP,RETAINING	1
12	02200200	SPACER, GEARBOX - A-SERIES	1
13	02001085	GEARBOX,RIGHT ANGLE	1
14	02000153	HUB, SPROCKET	2
15	02099158	SPRKT,1/2 X 36 TOOTH	1
16	02004159	FORK, 110MM - FF1 18.89" LONG	1
17	02004861	ROLLER,VERTICAL SPECIAL	2
18	02004146	STRAP, FORK PE TUBE RETAINER - FF1	1
	02201030	LEVELWIND ASSY, COMPLETE FF1/FG1	

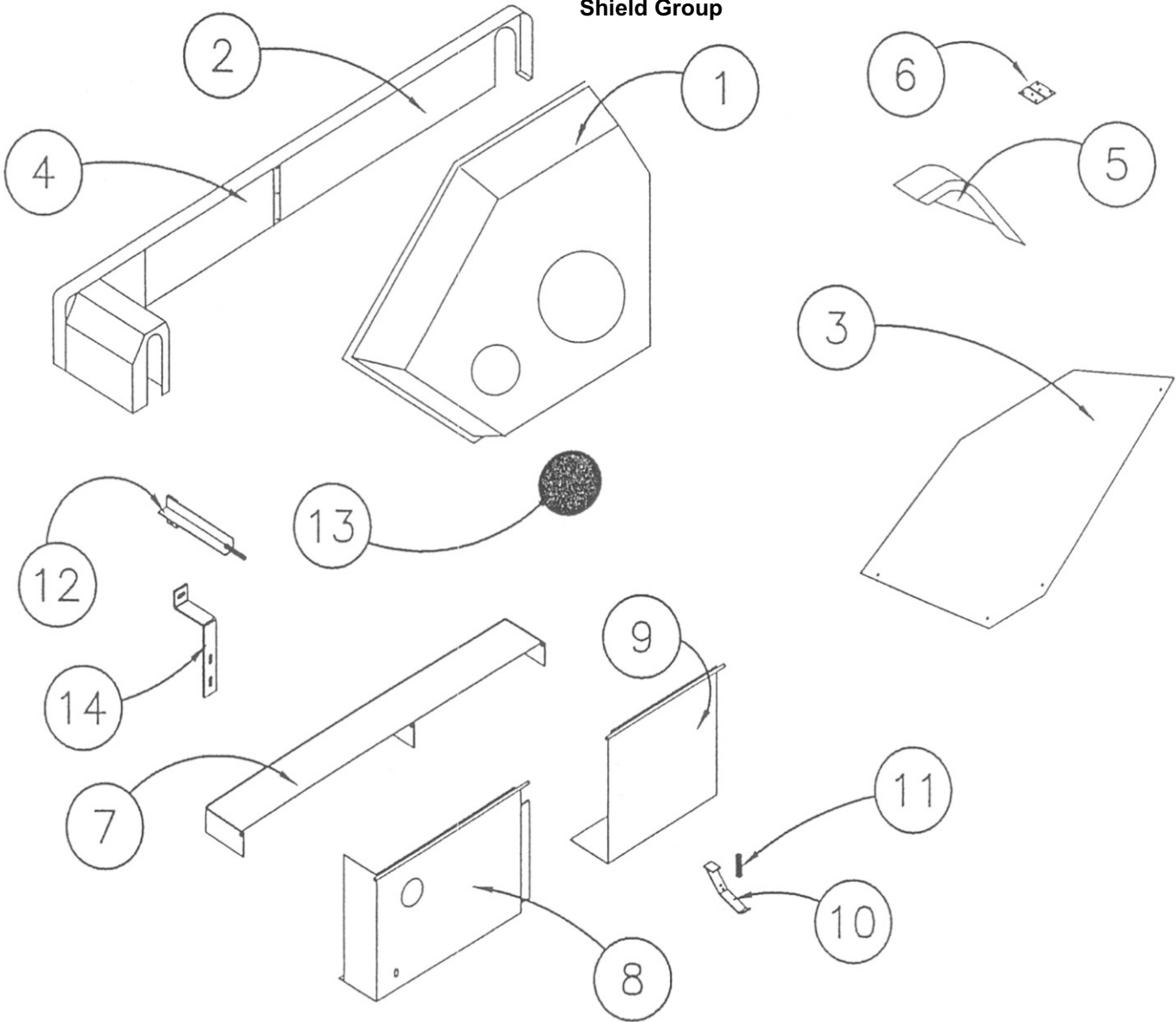
Shutoff / Boom For 37A



No.	Part Number	Description	Qty.
1	59500670	BRACE	2
2	02204931	SHUT OFF BAR FF1	1
3	40249060	PLLY,WRP17/32X2X7/8B STL	1
4	32551910	BUSH,STL.843X.56X.62L	4
5	59500540	BUSH,STL 3/4X.51X1.75L	1
6	59403391	ARM,LIFT	1
7	59404760	BOOM,CATCH	1
8	59403491	BOOM,LIFT ASSM.	1
9	59500730	LINK,BOOM CHAIN	2
10	59403361	ARM,LIFT	1
11	85040600	CHAIN,3/8 PROOF COIL PLTD	ft. 4.7
12	52355650	HOOK,CLEVIS SLIP 3/8 ZN	2
13	45035360	SPRING TNSN 1 X 6 PLATED	1
14	40048551	WINCH FULTON K 1550	1
15	75048440	CABLE,1/4-7X19 GAC PER FT	ft. 12
16	02000166	SPRING, COIL - SHUT OFF	1
17	02000160	Retainer	2
18	59500680	BRACE	2
19	59500690	TRANSPORT STRAP	2
20	02201630	Cap Plug	4
21	02001611	RETAINER	1
22	59703420	STOP COMP	1
23	02206650	U-BOLT 1" M6	2

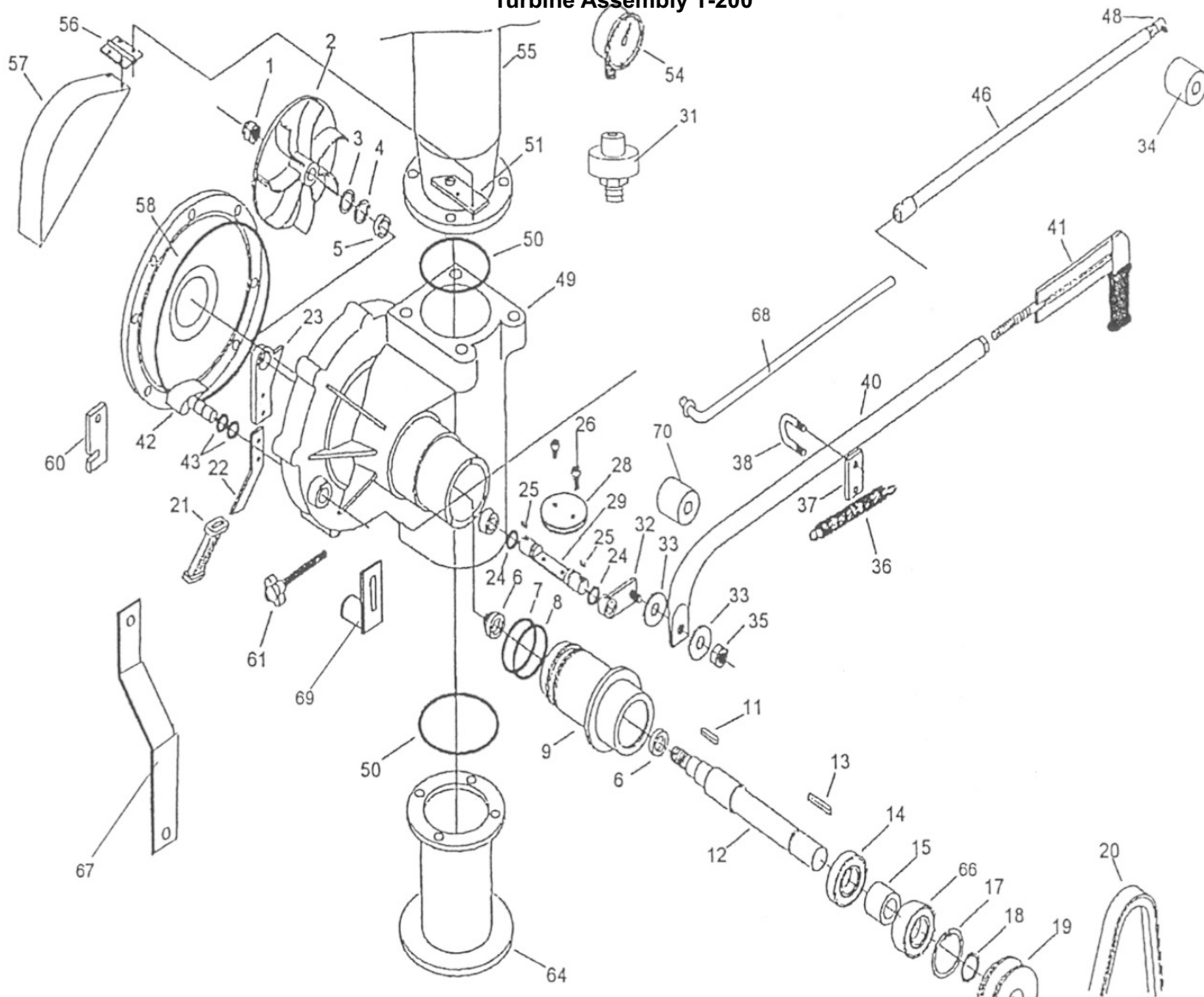


Shield Group



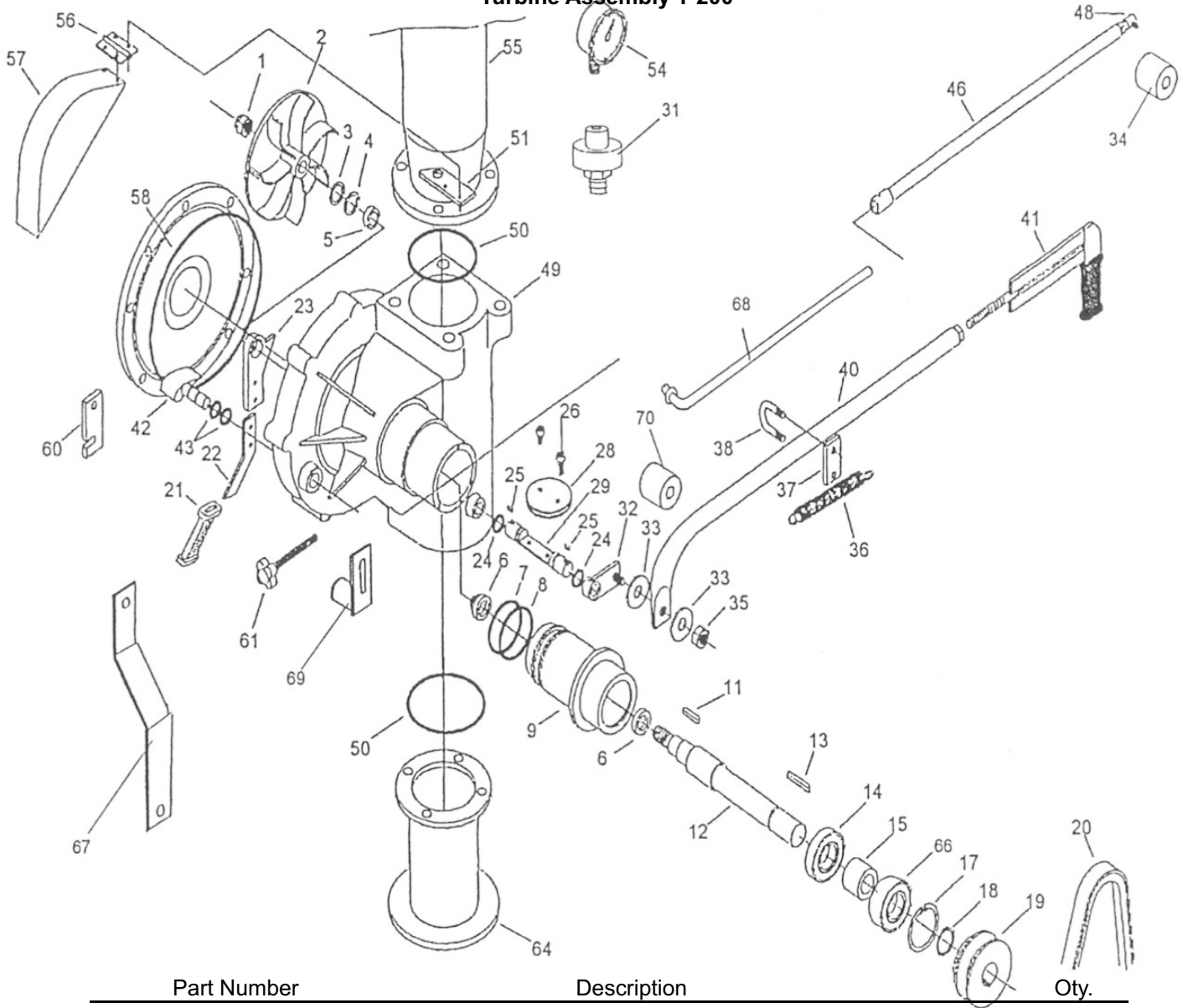
No.	Part Number	Description	Qty.
1	02205381	SHIELD,SIDE FF1	1
2	02201232	GUARD, LEVELWIND TOP - FG1	1
3	59300391	SHIELD,37A SPOOL	6
4	02201220	SHIELD, LEVELWIND BOTTOM	1
5	02203880	SHIELD, BELT	1
6	02203890	HINGE	1
7	59506160	HOOD MT.	1
8	59506370	SHIELD SIDE REAR	1
9	59506360	SHIELD SIDE FRONT	1
10	59505380	HOOD LATCH	1
11a	45048582	SPRING .5 ODX2 X.047W	1
11b		Bolt, 1/4 x 1-3/4" (not shown)	1
11c		Bolt, 1/4 x 1/2" (not shown)	1
12	59506651	PLATE,HOOD MT.REAR	1
13	02205400	DOOR	1
14	59700830	HOOD MT.	
	59702810	LATCH,RUBBER DRAW	

### Turbine Assembly T-200



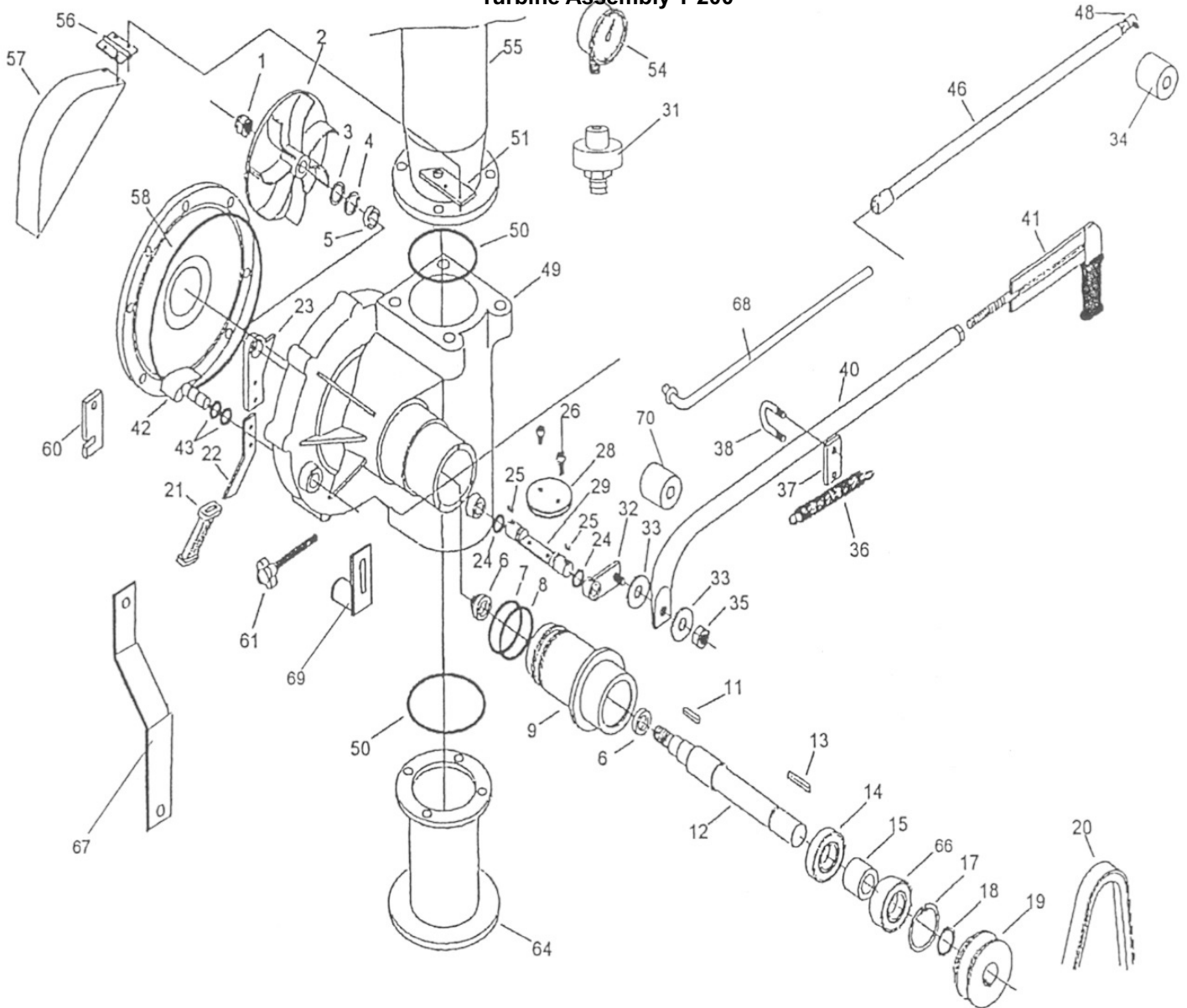
No.	Part Number	Description	Oty.
1	02201980	NUT,SELF LOCKING M14 X1.5	1
2	02201993	IMPELLER 6.77ODX.87 VANE	1
3	02205430	SHIM,MYLLAR 16.2X23.8X.25	2
4	02203002	SPACER,25MM X 16MM X 15.5MM LONG	1
5	02205440	SPACER 25MM X 20MM X 5MM	1
6	02205450	SEAL,20 X 6	1
7	02205460	O-RING 4MM X 54MM	2
8	02205461	O-RING 2.36 ID X .103 C/S	1
9	02205480	TURBINE HUB T 200 25/120	1
11	02203370	KEY 5 X 10	1
12	02205500	SHAFT,IMPELLER 25/120	1
13	02205510	KEY 6 X 50	1
14	02201670	BEARING,6204-2RS	1
15	02205521	SPACER 1.795 LONG	1
17	02203240	STOP RING I47	1
18	02203230	RETAINING RING E20	1
19	02205920	PLLY,100MM,75MM,53MM3STEP W/SETSCR	1
20	02205552	BELT-V A82	1
21	02204140	HAND GRIP MOD. 1040-20X6	1
22	02205570	LEVER,BY-PASS	1
23	02205580	LEVER, BY-PASS - 25/120	1
24	02205590	O-RING 15.54MM ID X 2.6MM	2
25	02203190	KEY 6X10	2

### Turbine Assembly T-200



Part Number	Description	Oty.
26	02203050 SCREW,6-1MM X 16MM	2
28	02205620 DISC,BYPASS	1
29	02205632 SHAFT,BYPASS W/GROOVES	1
31	59901460 GAUGE PROTECTOR	1
32	02205640 BY-PASS LEVER	1
33	02205650 WASHER,10 X 30	2
34	02206600 SPACER, 1" OD X 2.4" 8MM THREAD-FG1	1
35	Nut, M10	1
36	02203180 SPRING BELT TIGHTENER	1
37	02203170 PLATE,CLAMP	1
38	02203120 U-BOLT	1
40	02203111 BYPASS ROD FF1 58" END TO END	1
41	02203162 U-BOLT	1
42	02205660 REGULATOR FLAP WITH PIN	1
43	02203310 O-RING 8.73MM ID X 1.78MM CS	2
44	02203300 CONTROL LEVER	1
46	02205692 BY-PASS ROD 55.8" LONG FF1	1
48	02203410 ROD END	1
49	02203021 BODY,TURBINE 25/120	1
50	02204840 O-RING 104MM X 3.53MM	2
51	02205710 SUPPORT - FG1	1
54	58606750 GAUGE, PRESS 0-300	1
55	02204851 UPPER FEEDING ELBW 37	1

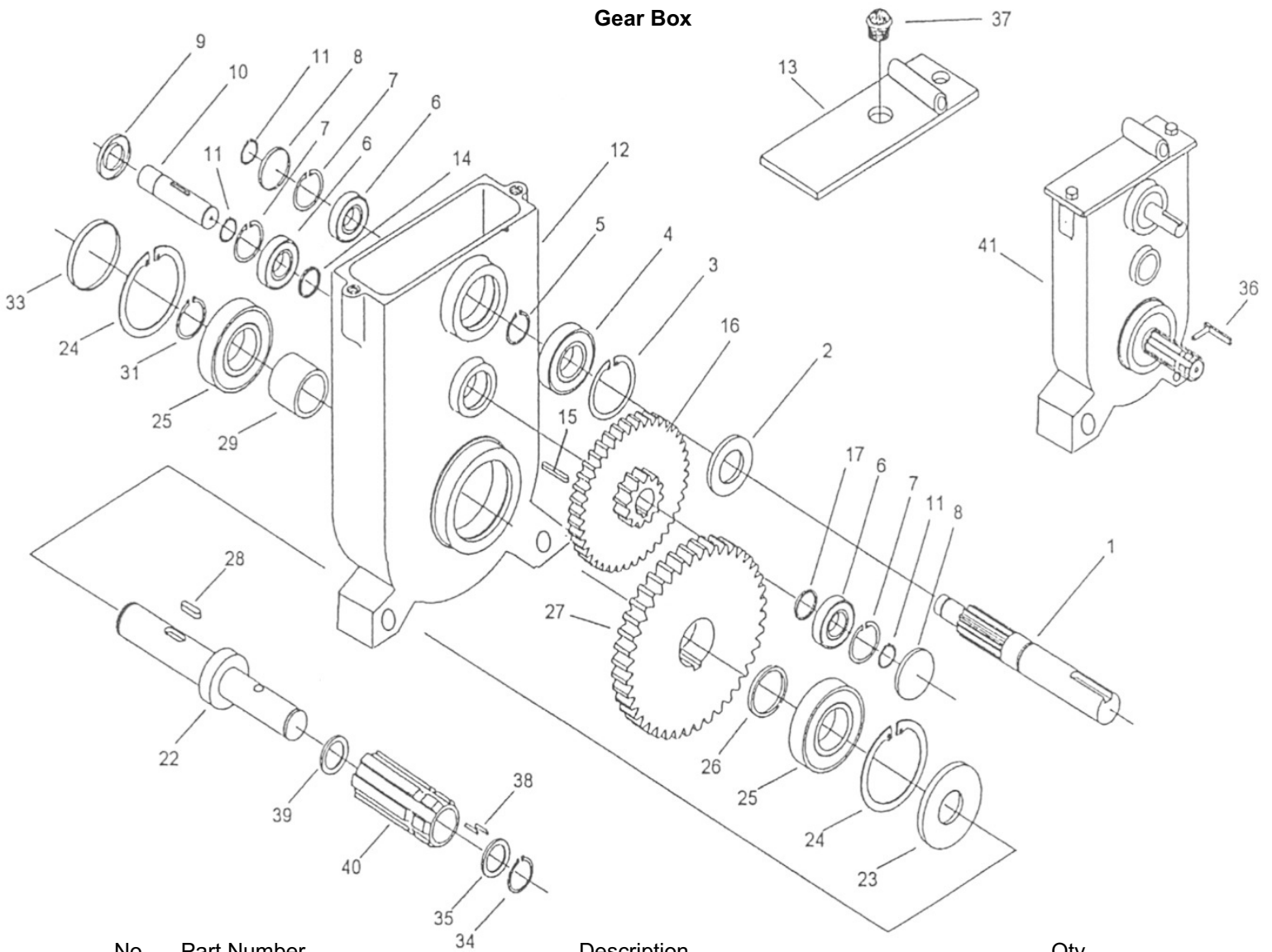
### Turbine Assembly T-200



56	02203890	HINGE	1
57	02203880	SHIELD, BELT	1
58	02205720	O-RING 278.99MM ID X 3.53C/S	1
60	02205730	PLATE, STOP 25/120	1
61	02203910	HAND WHEEL KNOB	1
64	02203081	FITTING, ENTRY - 25/120 TURBINE	1
66	02201671	BEARING,5204-2RS	1
67	02206480	ARM, COMPENSATION - FG1	1
68	02203130	ROD, INNER COMP. AA AND A1	1
69	02206500	LOOP, COMPENSATOR - 10/50, 25/120	1
70	02206610	SPACER, 10MM THREAD - FG1	1

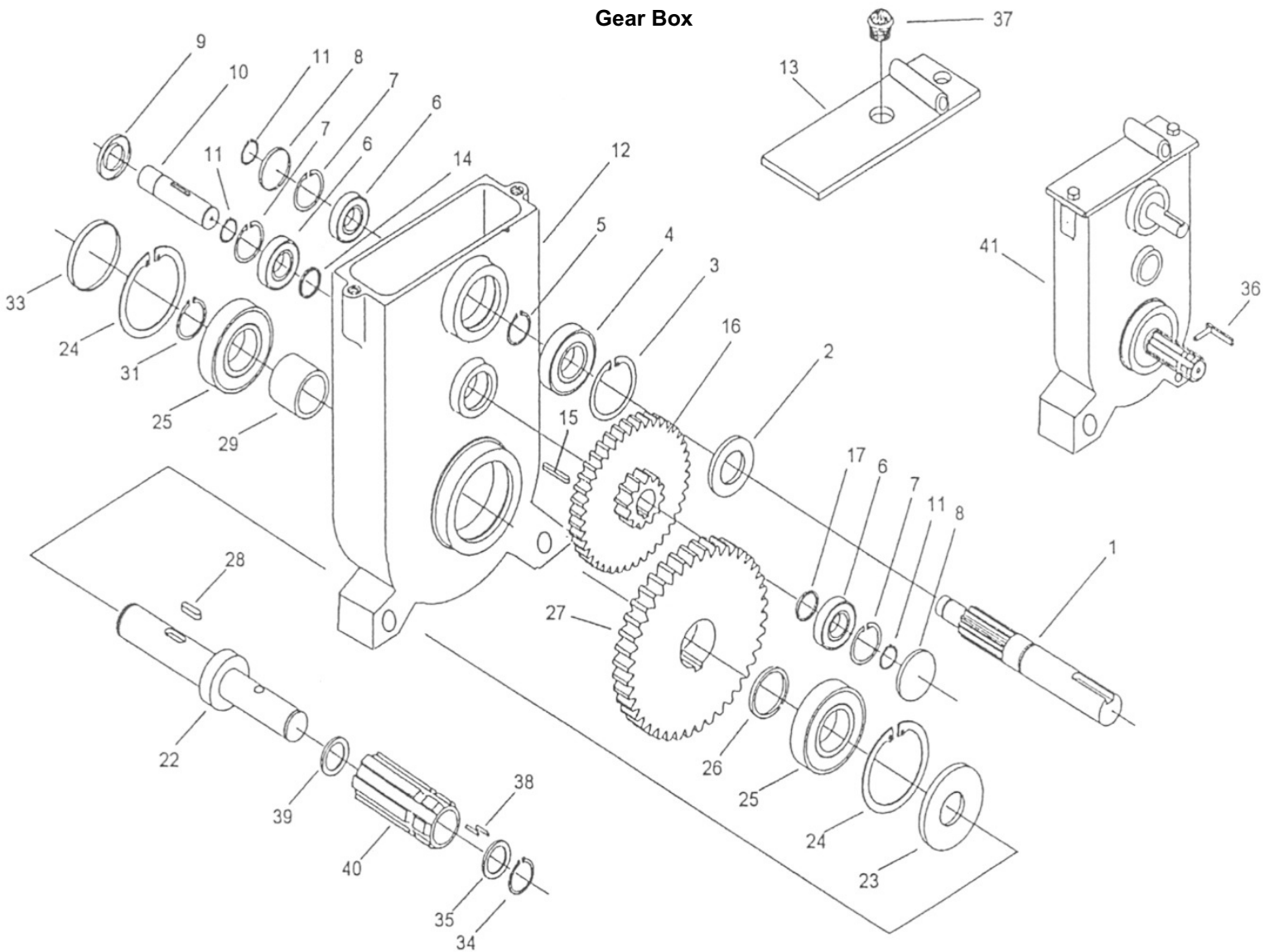
99070300 KIT, RUNNER OVERHAUL - 25/120

## Gear Box



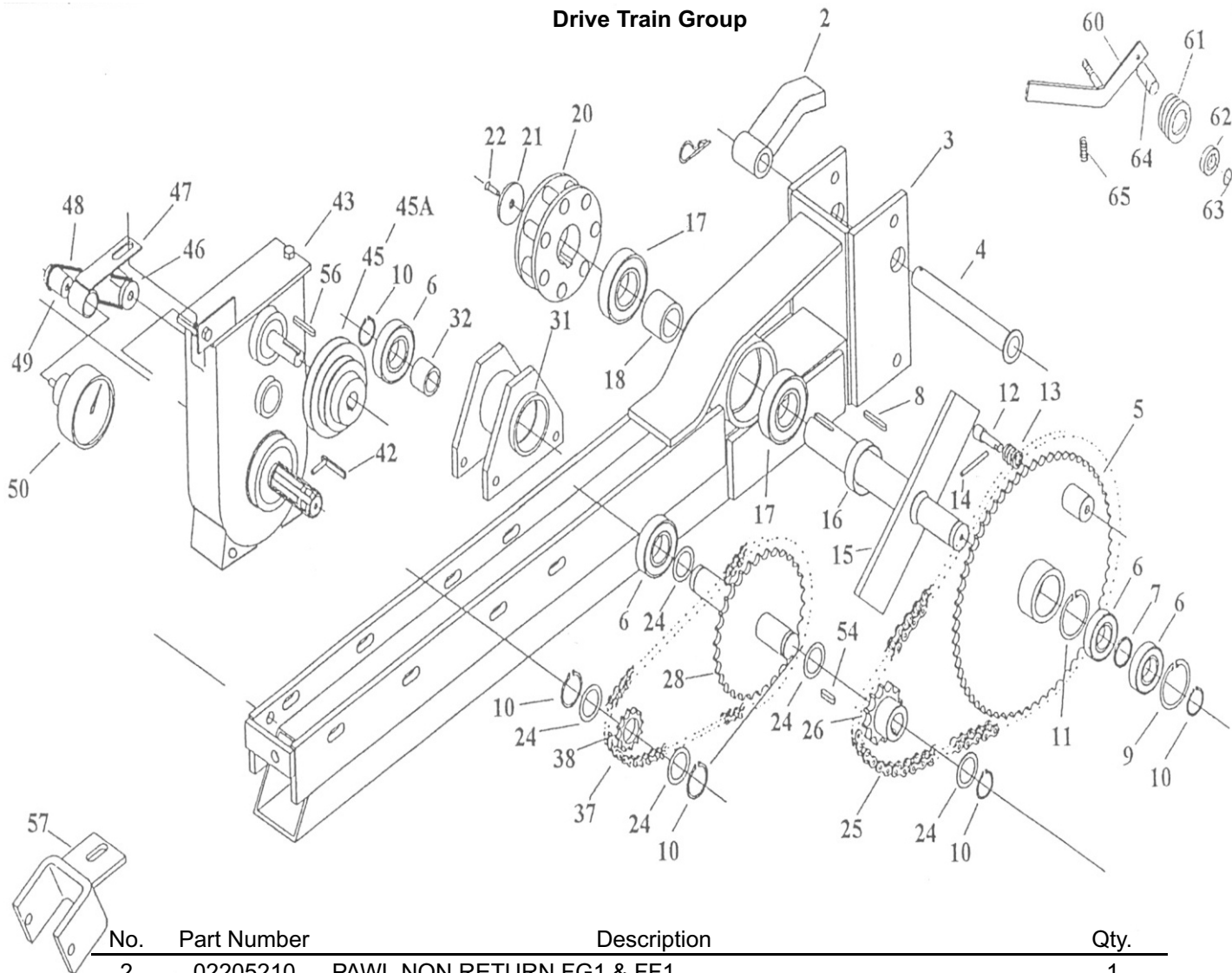
No.	Part Number	Description	Oty.
1	02201642	SHAFT, GRBOX INPUT(1SPEED)40-1 BOX	1
2	02201650	SEAL,20MM X 47MM X 7MM	1
3	02203430	SNAP RING I 47	1
4	02201670	BEARING,6204-2RS	1
5	02201680	RETAINING RING E20	1
6	02201690	BEARING,6201	3
7	0221700	STOP TURRET PIN	3
8	02201710	FREEZE PLUG	1
9	02201720	SEAL,12MM X 32MM X 7MM	1
10	02201730	SHAFT	1
11	02201740	SNAP RING, E12	3
12	02201960	Gearbox Body	1
13	02201970	GEARBOX TOP	1
14	02201750	SHIM 12 X .5	1
15	02201760	KEY 4 X 10	1
16	02201772	Double Pinion Z12 M2/Z80 M1.5	1
17	02201780	Shim i12 x 1	1
22	02210260	SHAFT ASSM R93 7-1/4" OAL	1
23	02201800	SEAL,OIL 35X62X7	1
24	02201810	SNAP RING I62	1
25	02201820	BEARING,6206	1
26	02201830	SHIM SP:3	1
27	02201842	Pinion Z72M2	1
28	02201850	KEY, 8MM X 8MM X 20MM	1

## Gear Box



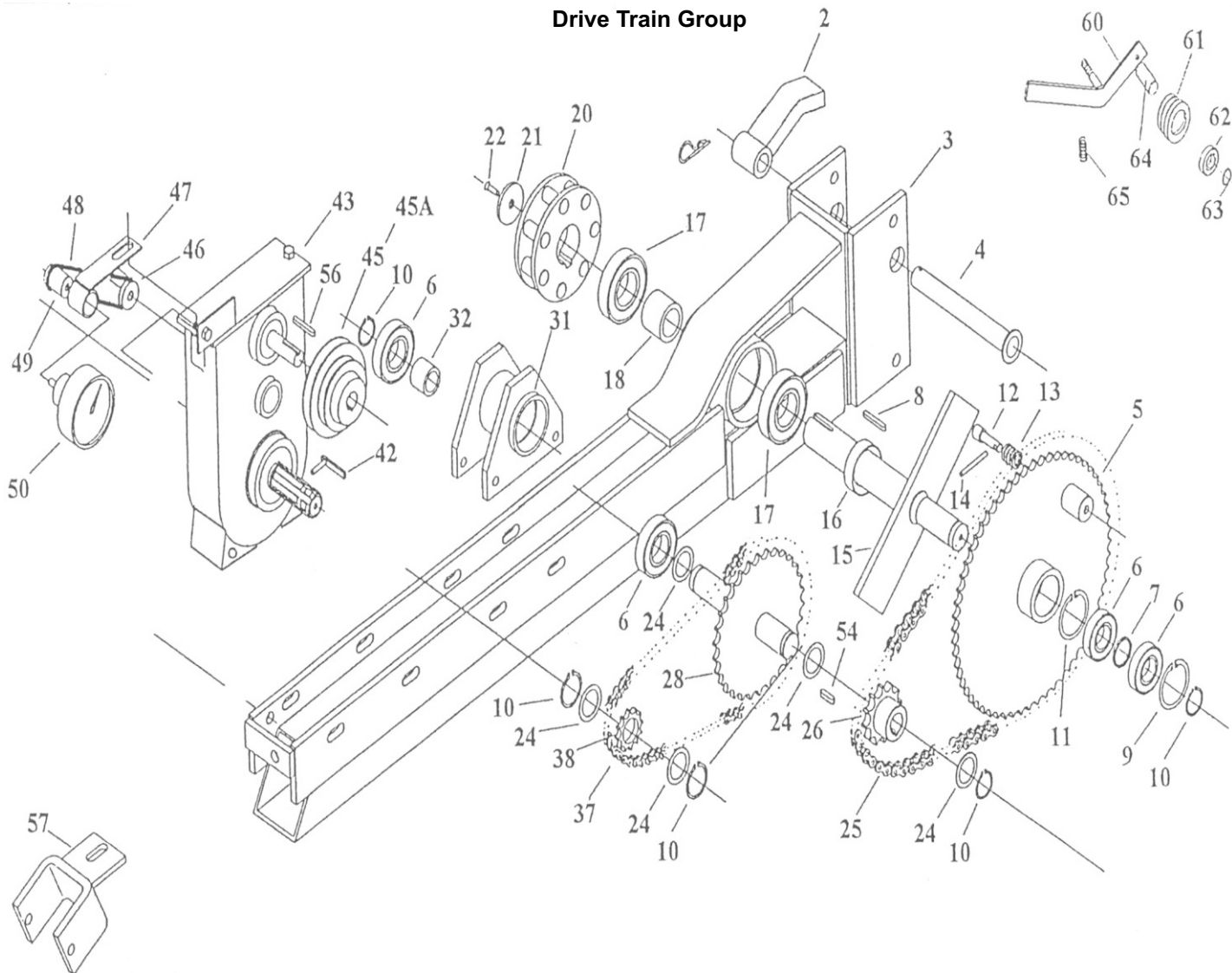
No.	Part Number	Description	Qty.
29	02207110	SPACER, 33X42X19.5	1
31	02201870	STOP RING E30	1
33	02206240	PLUG DIA 62	1
34	02201890	RING,STOP BASE A1 75MM E18	1
35	02201900	SPACER DIA18X2.8BASE A175	1
36	02201910	SAFETY KEY & THREADED PIN	1
37	02206410	BREATHER, 1/4"	1
38	02201930	PIN,BEARING 2X17.5	62
39	02201940	SPACER 22 X 3	1
40	02201950	PIN,SPLINED BASE A1 75MM	1
41	02204393	GEARBOX FF1,A1,D2,S/N330,000FWD	1
	02201210	SHIELD,PTO SPLINE (Not Shown)	1
	02204790	CRANK, PTO REWIND (Not Shown)	1

### Drive Train Group



No.	Part Number	Description	Qty.
2	02205210	PAWL, NON RETURN FG1 & FF1	1
3	02205081	SUPPORT, FF1	1
4	02205201	PIN, JACK ARM PIVOT 30MM - MG1/2	1
5	02204960	SPROCKET ASM 3/4" Z60 SINGLE	1
6	02203530	BEARING, 6207-2RS	4
7	02205000	SPACER	1
8	02204990	KEY 16X40	1
9	02204940	SNAP RING I72	2
10	02205340	SNAP RING E35	5
11	02204940	SNAP RING I72	2
12	02203490	PIN	1
13	02203470	SPRING	1
14	02203480	PIN	1
15	02204591	SHAFT, DIA 40MM/35MM 9.7" OAL - FF1	1
16	02214680	SPACER, E.48 1.40, 5 SP.13	1
17	02204620	BEARING, 6208-2RS	2
18	02205021	SPACER	1
20	02205051	PINION, 40MM BORE M20 PIN -FF1/D2	1
21	02205060	WASHER, SPECIAL	1
22	55070110	SCREW 10MMX25MM ALLEN FLAT	1
24	02205070	SPACER, 35MM X 45MM X 1MM	5
25	02001142	CHAIN 3/4" METRIC ROLLER PER FT.	4.8 ft
26	02205110	SPROCKET 3/4" Z13 002945	1
28	02205090	SPROCKET 5/8" 252	1
31	02205030	BEARING, SUPPORT	1
32	02205350	SPACER, 35MM X 45MM X 1MM	1
37	02001141	CHAIN 5/8 METRIC ROLLER PER FT. 66 Pins	3.2 ft

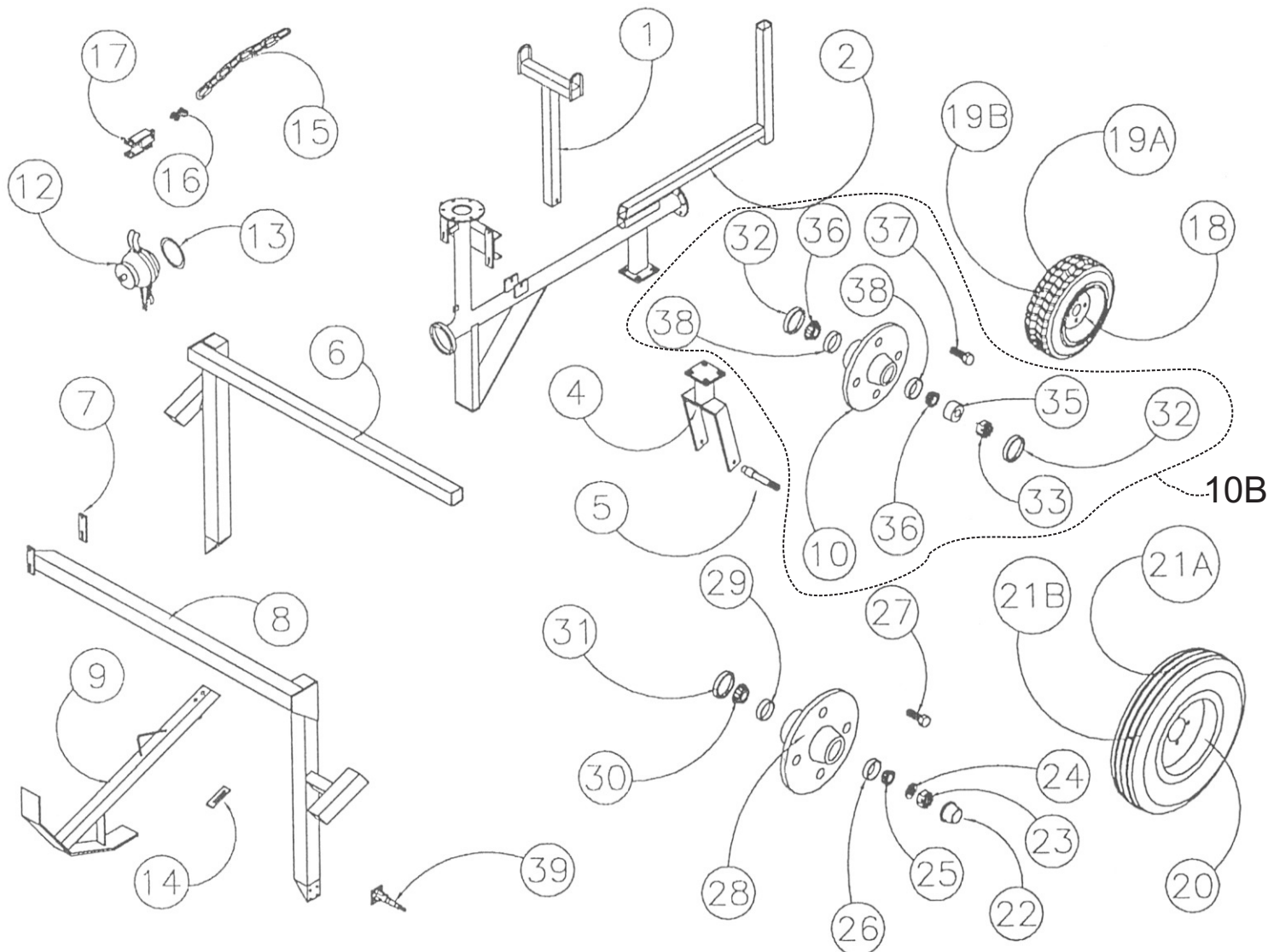
### Drive Train Group



38	02205140	SPROCKET 5/8"Z13 002445/B	1
42	02201910	SAFETY KEY & THREADED PIN	1
43	02204393	GEARBOX FF1,A1,D2,S/N330,000FWD	1
45	02205930	PLLY,3 STEP 100,125,147 W/SETSCRW	1
46A	59404411	PULLEY,TACH .966 (Turbine)	1
46B		PULLEY,TACH (Engine Drive)	1
47	02203670	BRACKET, TACHOMETER	1
48	02203661	BELT, TACH, DIA 3.5MM X 590MM	1
49	59404411	PULLEY,TACH .966	1
50	02201200	TACHOMETER ASM,0-400 FT/HR A SERIES.966	1
54	02203510	KEY, 10MM X 8MM X 30MM	1
56	02205510	KEY 6 X 50	1
57		END SUPPORT	1
60	02203680	LEVER, BELT TIGHTENER (310K)FF1/FG1	1
61	02206540	PULLEY IDLER 3 GROOVE	1
62	02203440	BEARING,6005-2RS	1
63	52662540	RING,RET EX	1
64	02206530	SHAFT,BELT IDLER	1
65	02203180	SPRING BELT TIGHTENER	1

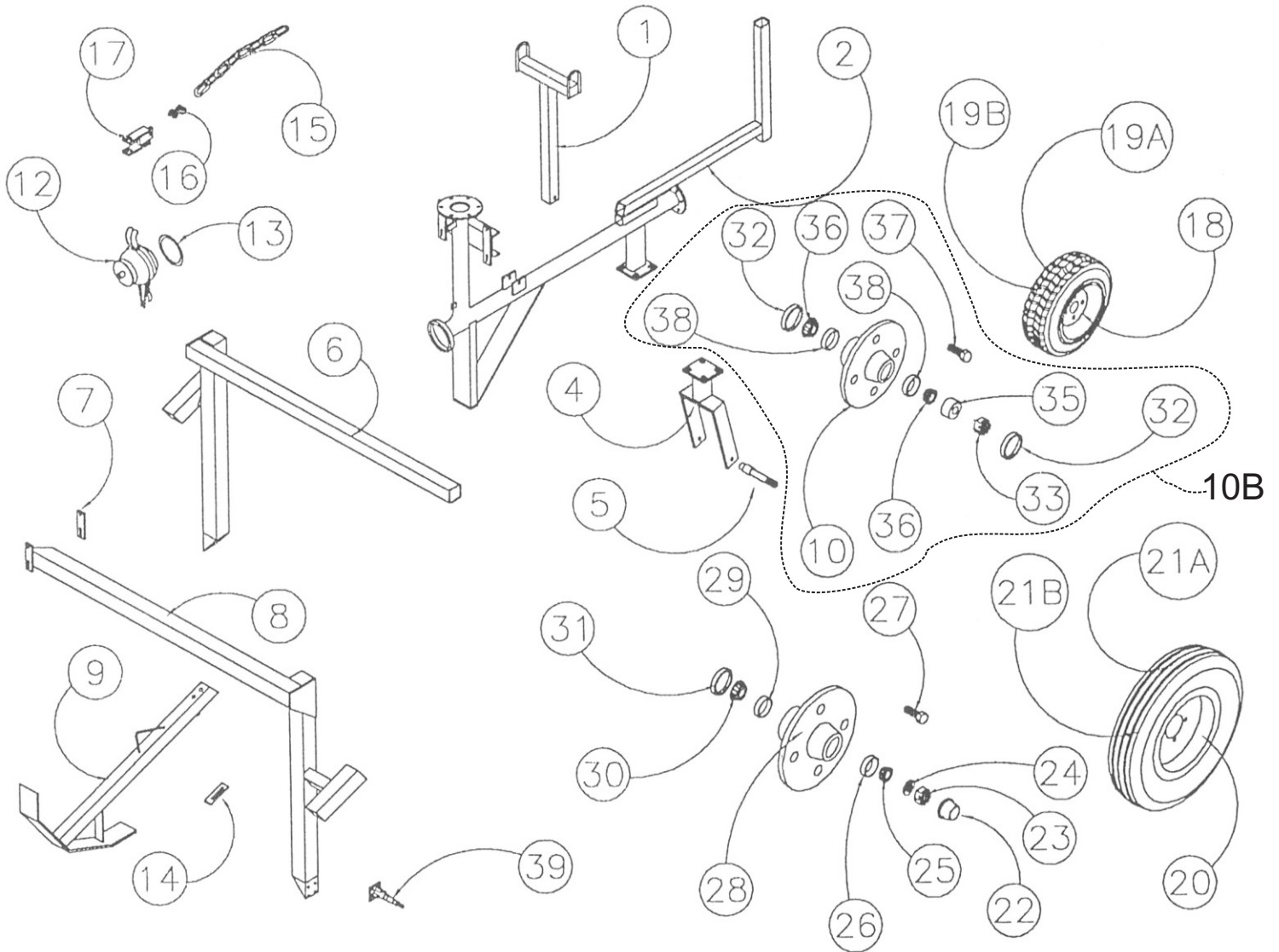


### Sprinkler Cart Assembly



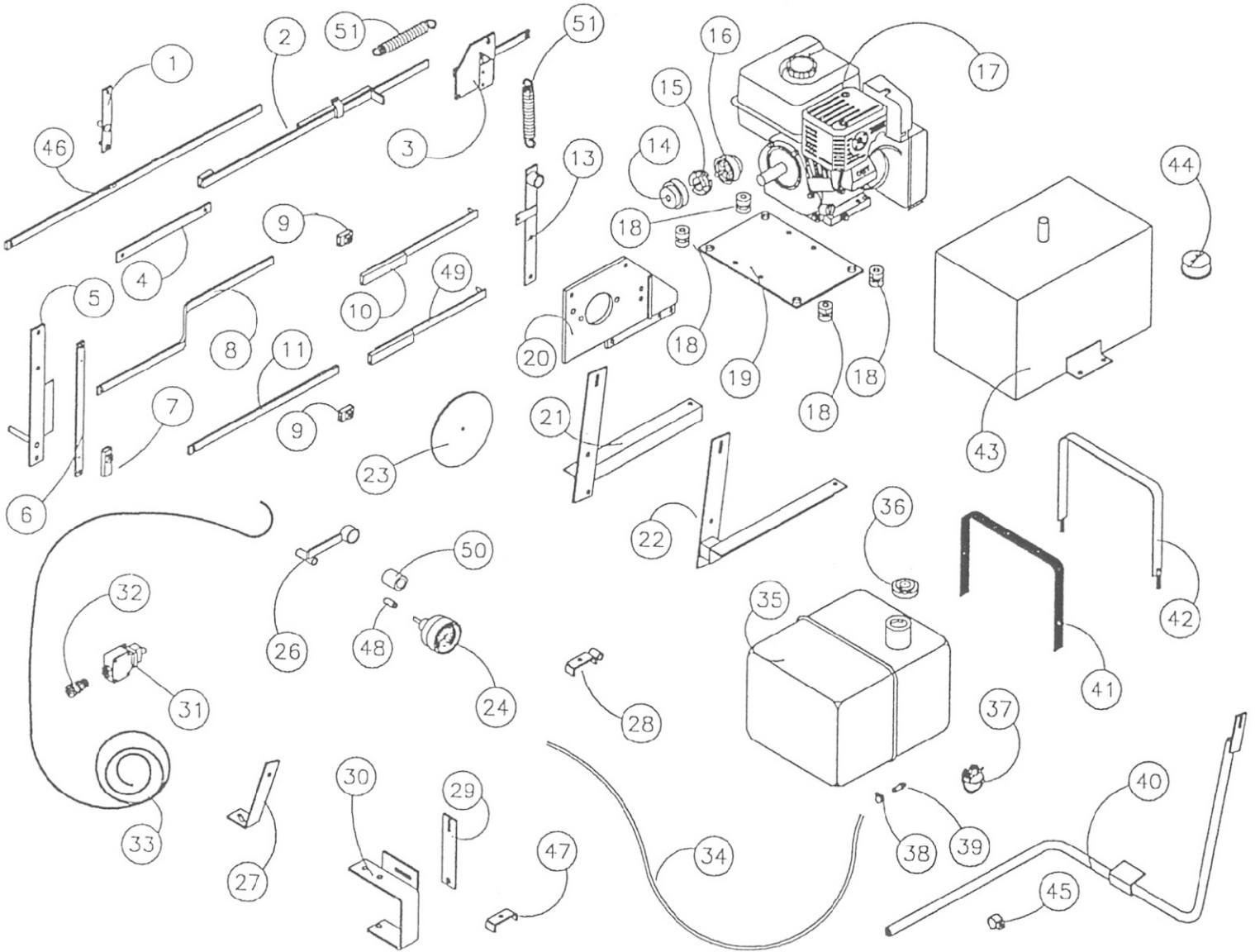
No.	Part Number	Description	Qty.
1	59100031	BAIL,LIFT	1
2	59403824	Body Guncart	1
4	06009974	YOKE, FRONT	1
5	06010199	AXLE,FRONT	1
6	59504920	LEG,INNER 37-40	1
7	58408430	STRAP	2
8	59504910	LEG,OUTER 37-40	2
9	59500480	LEG,STABILIZER GUNCART	2
10a	58803564	HUB,WITH RACES ONLY W440	1
10b	59503820	HUB & AXLE ASSM GUNCART40	1
12	59406100	PLUG,GUNCART	1
13	58800233	SEAL RING 4" 6-3/8 OD X 9/16	1
14	59500470	PIN,3/8 X 2.5	2
15	85040600	CHAIN,3/8 PROOF COIL PLTD	ft. 3
16	52353941	CLEVIS,DBL CMBL 542-3301	2
17	52354210	HITCH, CHAIN	1
18	59302640	WHEEL,8X5.75 4BOLT 4BCD	1
19a	59302650	TIRE,16X6.5X8 4 PLY	1
19b	59302651	TUBE,INNER 16X6:50X8	1
19c	59506060	WHEEL&TIRE,16X6:50X8 4PG	1
20	58802541	WHEEL,15X4-1/2 OFF WHITE RIM	2
21a	22702560	TIRE,6.70X15 4 PLY	2
21b	22702561	TUBE,INNER 5:90 & 6.70X15	2
22	22709360	CAP,HUB	2

## Sprinkler Cart Assembly



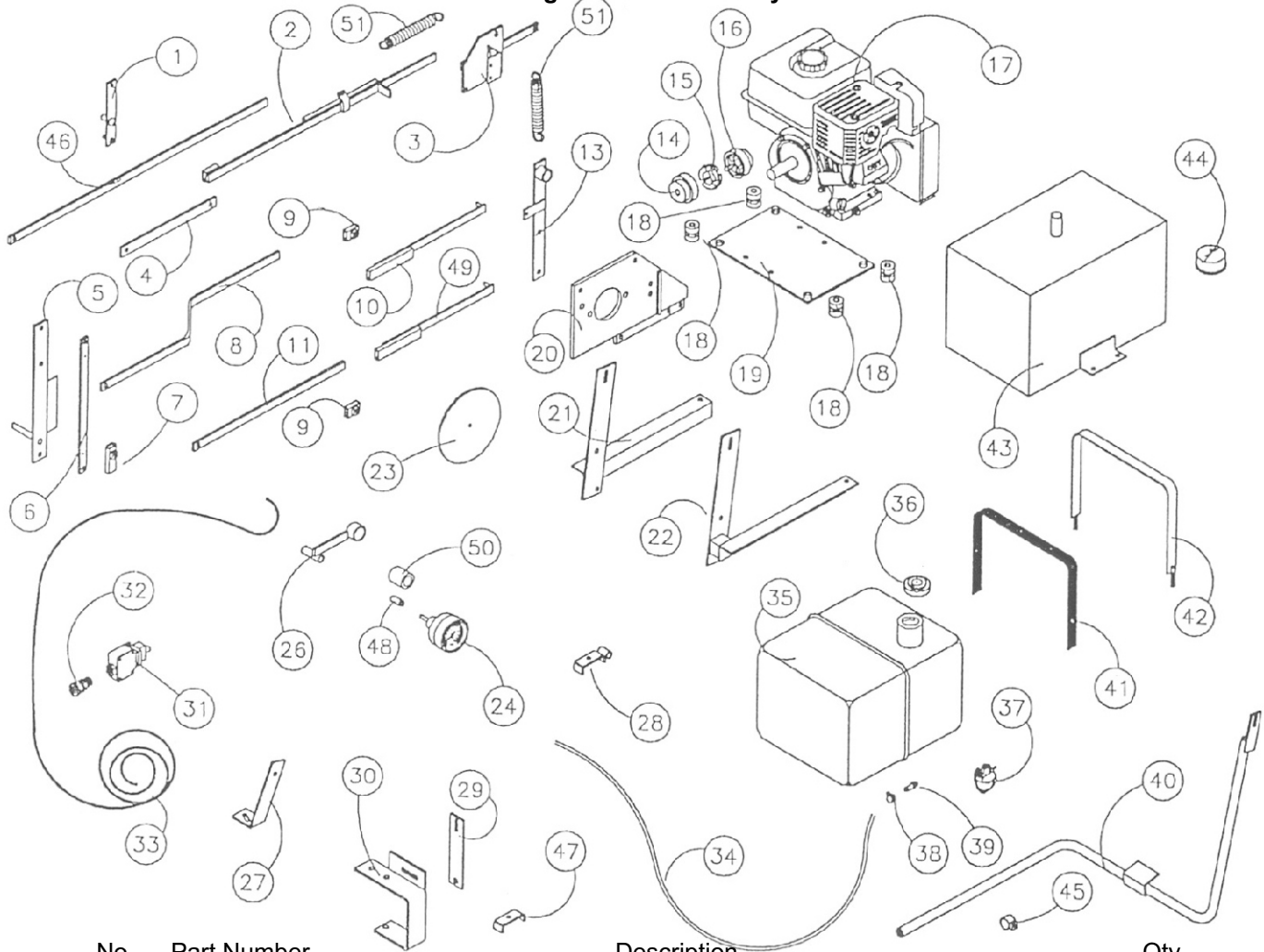
23	55209440	NUT,SLOTTED NF 5/8	2
24	55306280	BUSH,MACH 1-1/2X1X18GA	2
25	51509420	BEARING,TIMKEN LM11949	2
26	58900640	RACE,OUTER LM11910	8
27	58900630	Bolt Wilton 9435491	2
28	58900650	HUB,WITH CUPS ONLY W633	2
29	51009400	RACE,LM67010	2
30	51509390	BEARING,TIMKEN LM67048	2
31	58900660	SEAL,CR14975	2
32	58803565	SEAL,CR12437	2
33	51516020	nut 1" NFF Slotted	2
35	06002450	SLEEVE	1
36	58803563	BEARING,TIMKEN L44643	2
37	58803560	BOLT,LUG WILT 913535	4
38	50702930	KIT, CUP AND CONE SET	2
39	59504930	SPINDLE,REAR GUNCART	2

## Engine Drive Assembly



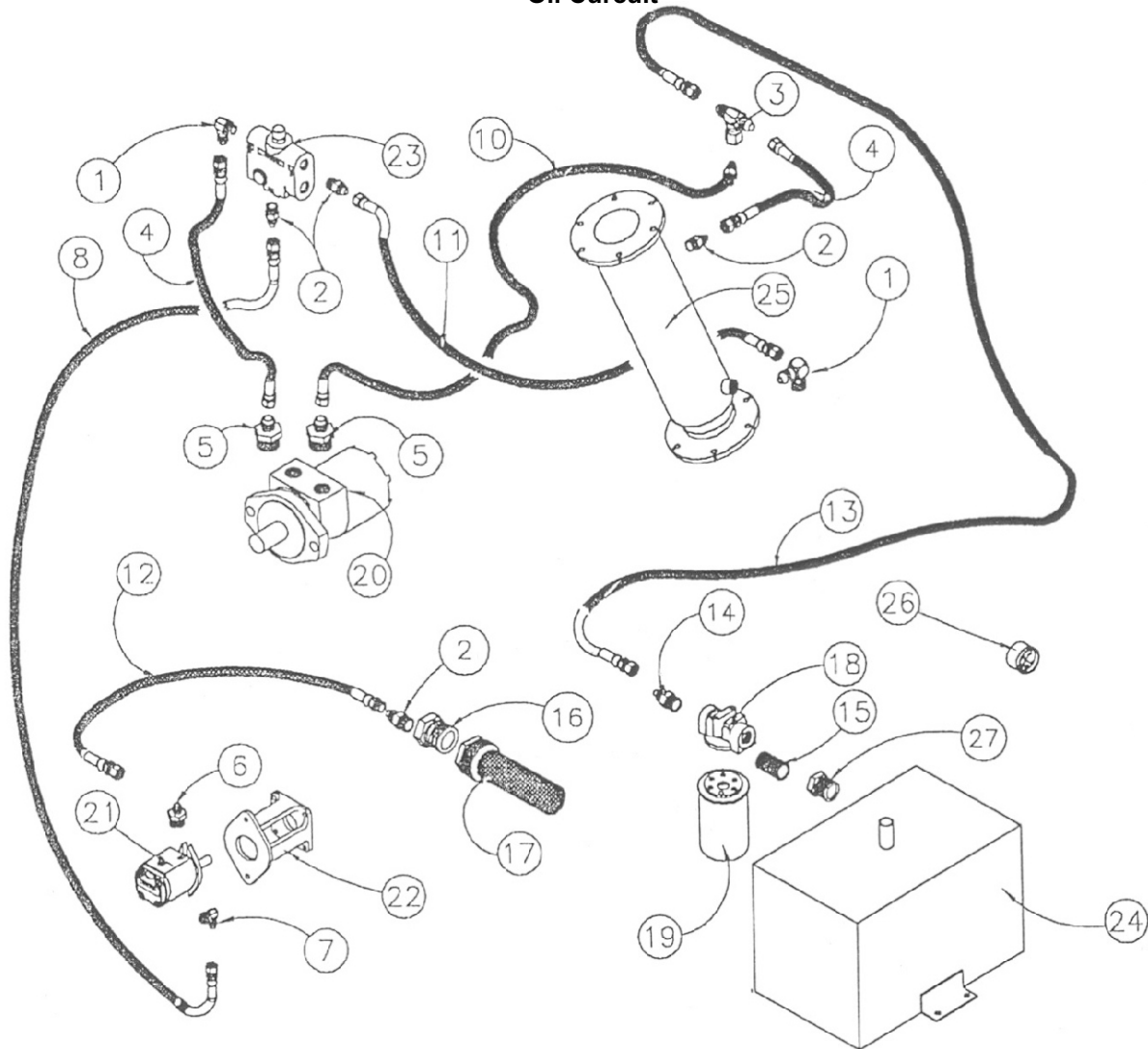
No.	Part Number	Description	Oty.
1	59505180	MT.SHUT OFF ROD	1
2	59505160	SHUT OFF BAR	1
3	59505100	SWITCH MT.	1
4	59506580	LINK	1
5	59404501	Arm	1
6	59404490	LINK	1
7	50206540	SLIDE, SPEED ADJUST	1
8	59505170	SHUT OFF ROD (SWITCH)	1
9	59404480	SLIDE	5
10	59505930	SHUT OFF SLIDE (HYD)	1
11	59505170	SHUT OFF ROD (SWITCH)	1
12	59602640	PLATE,CLAMP	2
13	59404561	ARM	1
14	59501020	CPLNG,HALF PUMP 5/8" BORE	1
15	59501030	CPLNG,RUBBER 25 THROUGH40	1
16	59501300	CPLNG,HALF ENG 3/4" BORE	1
17	58407015	ENGINE,B&S VANGUARD 5.5HP K.S.	1
18	59404260	DAMPENER,MOTOR MT.	4
19	59500331	PLATE ENG B&S 9 HP	1
20	59505052	MOTOR,MT. 37	1
21	59402753	MOUNT,RIGHT 5GAL GAS TANK	1
22	59402752	MOUNT,LEFT 5GAL GAS TANK	1
23	99070341	KIT TACH PLY 37-40	1

## Engine Drive Assembly



No.	Part Number	Description	Qty.
24	02201200	TACHOMETER ASM,0-400 FT/HR A SERIES	1
26	59601670	TACH MT.	1
27	59601610	REAR HOOD MT.	1
28	59505500	CLAMP	3
29	59506210	HOOD CATCH MT.	1
30	59505530	BRKT	1
31	52662151	SWITCH 6 X 613	1
32	52662170	GROMMET,CMPRSSN 1/2 NPT	1
33	58406700	WIRE,ELECT.3 WIRE 14 GA	ft. 12
34	58406951	HOSE,GAS 1/4X27/64	ft. 9
35	58406930	TANK,FUEL&CAP 5.3GAL	1
36	58406939	CAP,TANK-5.3 GAL GAS	1
37	27749190	FILTER,GLASS BOWL FUEL	1
37B	59603720	VALVE 1/4 TURN 1/8FNPT X 1/8MNPT (NOT SHOWN)	1
38	56048450	CLAMP,SCREW 7/32X5/8	2
39	52548760	BARB,HOSE BR 1/8 NPT X 1/4	2
40	59506350	GAS LINE TUBE	1
41	58701670	BELTING,NEOP 5 PLY 1 IN	ft. 6.5
42	58406210	STRAP, GAS TANK	2
43	58600481	TANK,OIL 7 GAL	1
44	59501240	CAP,TANK-OIL	1
46	59505910	SHUT OFF ROD (HYD)	1
47	59404170	CLAMP,HYD HOSE	1
48	99070341	KIT TACH PLY 37-40	1
49	59505210	COMP. BAR	1
50	99070341	KIT TACH PLY 37-40	1
51	45035360	SPRING TNSN 1 X 6 PLATED	2

## Oil Circuit



No.	Part Number	Description	Qty.
1	59501220	ADPTR,8MJICX1/2MNPTX90DEG	2
2	59501210	ADPTR,8MJICX1/2MNPT	4
3	59501200	ADPTR,8MJICX8FJIC-SWX8MJI	1
4	59502070	HOSE,8FJICX8FJIX18"X90	2
5	59506040	ADPTR,8MJICX10MSAE	2
6	59501170	ADPTR,12MJICX12SAEX90DEG	1
7	59501160	ADPTR,8MJICX10MSAE-90 DEG	1
8	59506641	HOSE,8FJIC90X8FJIC90X 139	1
10	59601850	HOSE,8MJIC X 8FJIC X 42	1
11	59601860	HOSE,8FJIC X 8FJIC90 X 41	1
12	59501140	HOSE,12FJICX12FJIC90.7 30	1
13	59601870	HOSE,8FJIC X 8FJIC90 X 75	1
14	59501230	ADPTR,8MJICX3/4MNPT	1
15	52501601	NPPL,CLOSE BR 3/4	1
16	52501610	BSHNG,RDCNG STEEL (PLTD) 1X3/4	1
17	59500800	FILTER HYD. OIL	1
18	59501060	HEAD,OIL FILTER	1
19	59501070	FILTER,SPIN HYD OIL	1
20	59500982	MOTOR HYD MK 06 ROSS	1
21	59501270	PUMP,HYDRAULIC 4	1
22	59501320	ADPTR,FLANGE,PUMP-ENG4&5.5	1
23	59501290	CONTROL,FLOW 4GPM	1
24	58600481	TANK,OIL 7 GAL	1
25	59505300	OIL COOLER	1
26	59501080	GAUGE,OIL FILTER	1
27	52501610	BSHNG,RDCNG STEEL (PLTD) 1X3/4	1