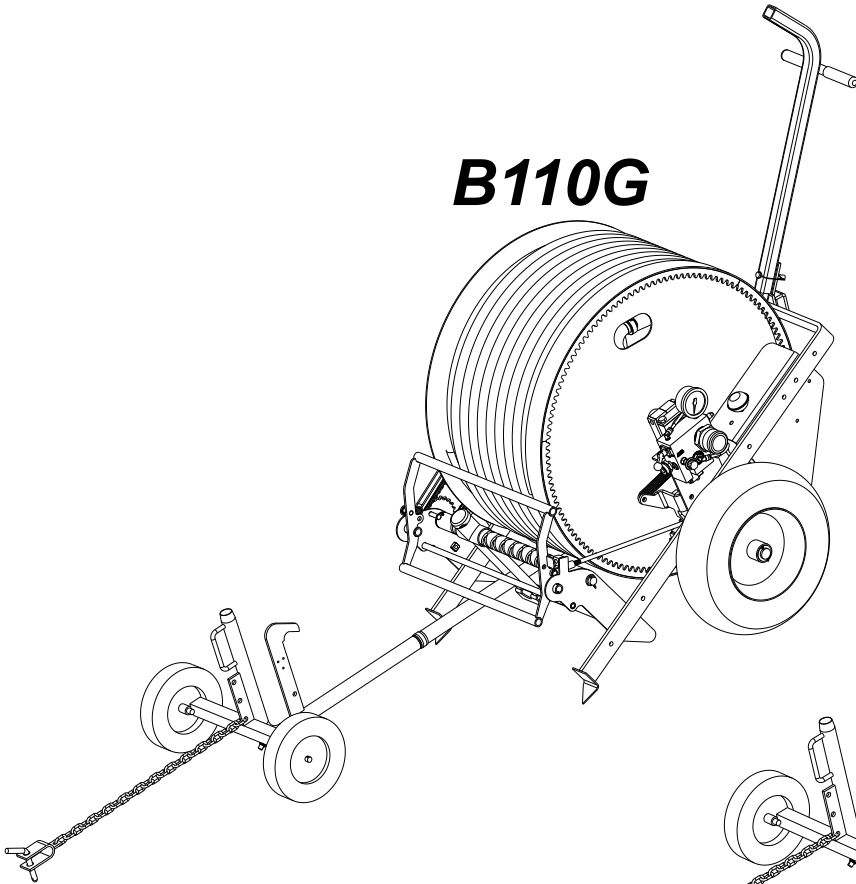


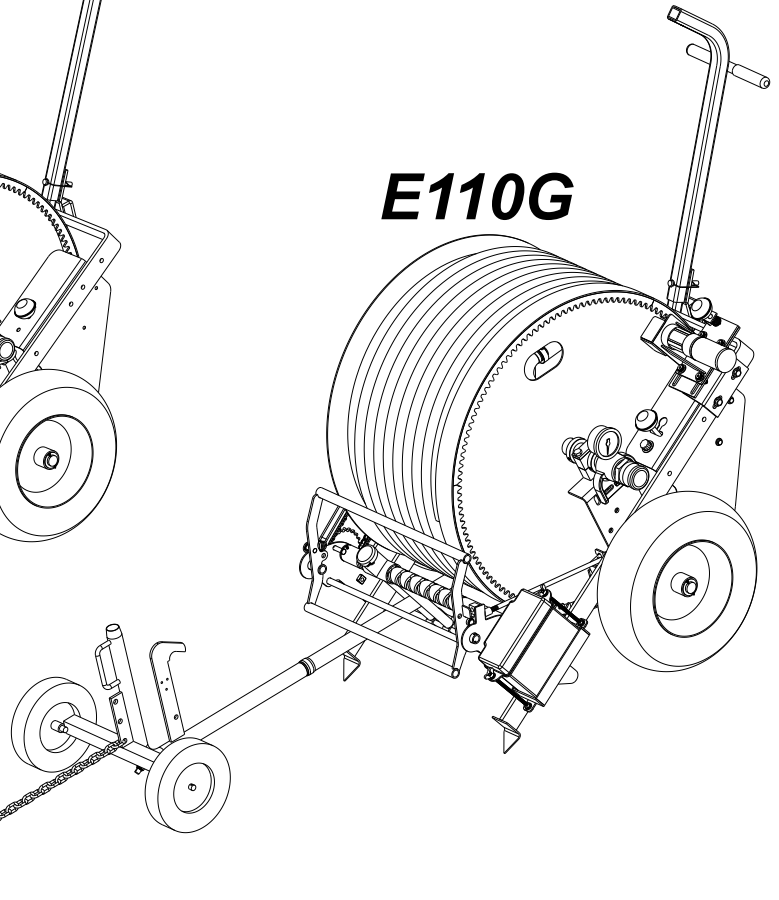


# *Water-Reel<sup>®</sup> Irrigation*

**B110G**



**E110G**



## **PARTS MANUAL**

Serial Number 460,000+

700 S. Schrader Ave.  
P.O. Box 290  
Havana, IL 62644  
Phone: (309)543-4425  
Fax (309)543-4945  
[www.kifco.com](http://www.kifco.com)

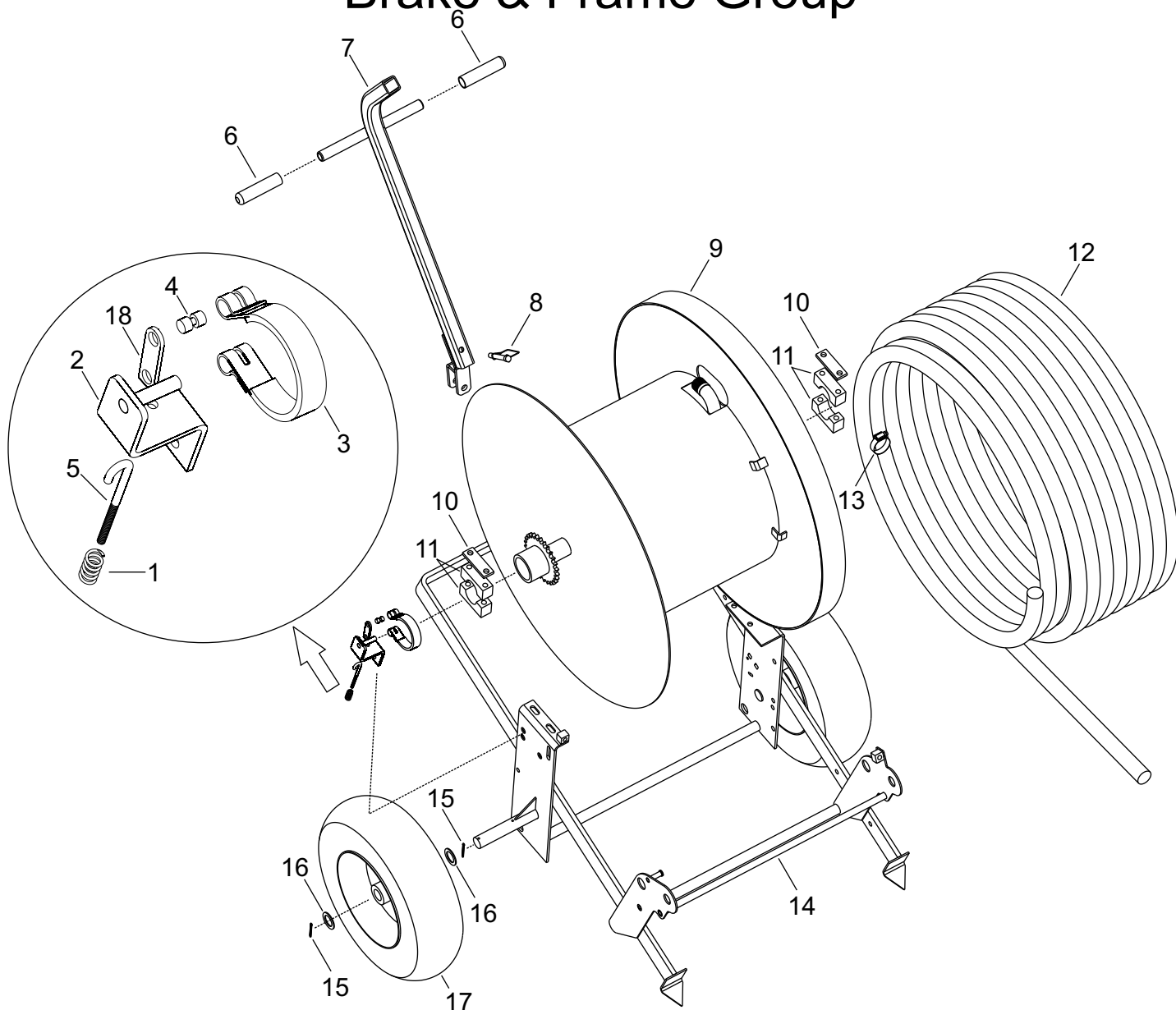
# Table of Contents

## GROUPS

|                                  |       |
|----------------------------------|-------|
| Brake & Frame Group              | 1     |
| Levelwind Group                  | 2     |
| Shutdown & Tube Rider Group      | 3     |
| Disengage & Hold Pawl Group      | 4     |
| Drive Group (B110G)              | 5 & 6 |
| Drive Group (E110G)              | 7 & 8 |
| Guncart Group                    | 9     |
| Solar Panel Group (Option) E110G | 10    |

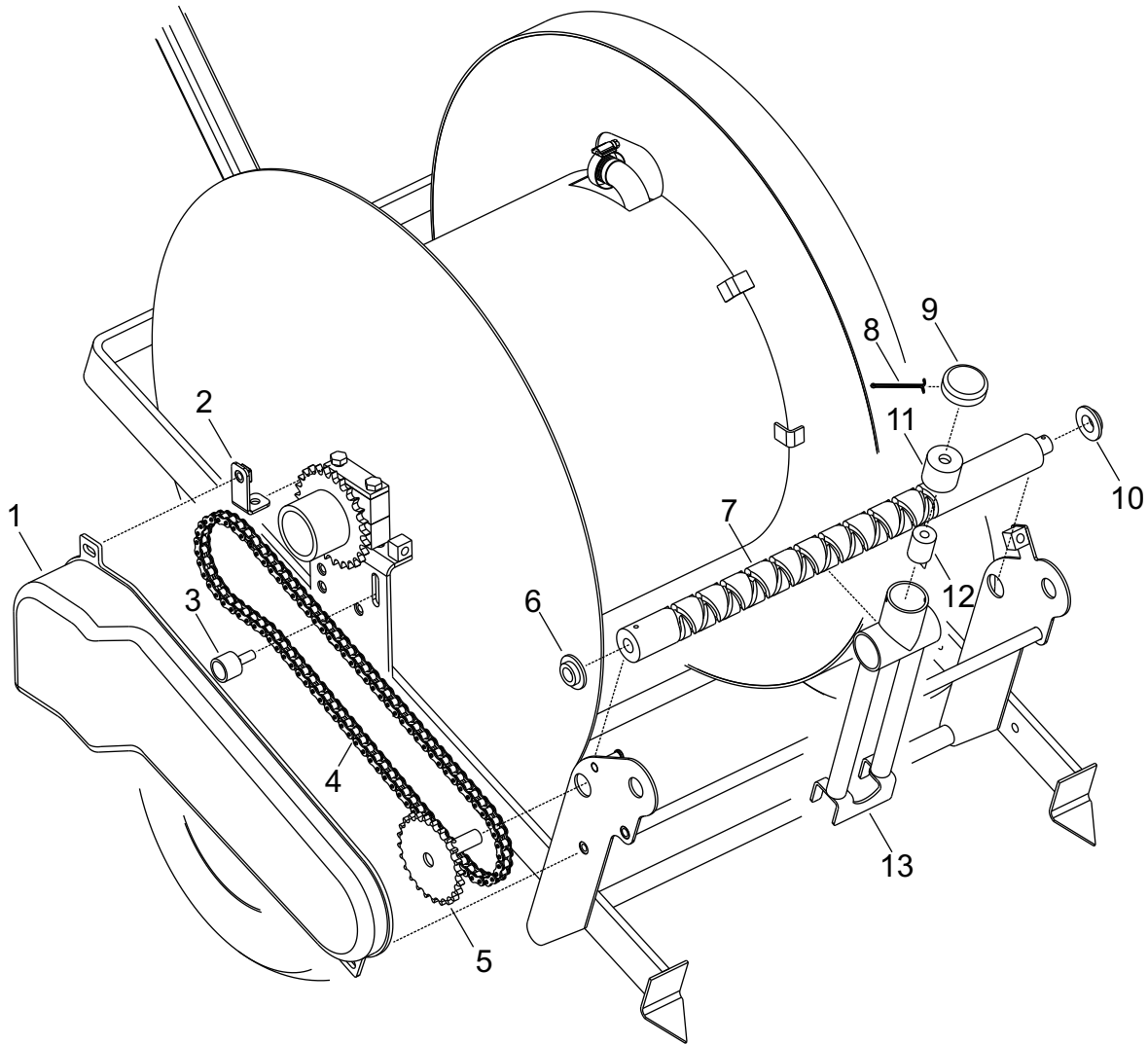
**Items such as common fasteners, grease fittings, and other small parts easy to locally acquire, are not listed**

# Brake & Frame Group



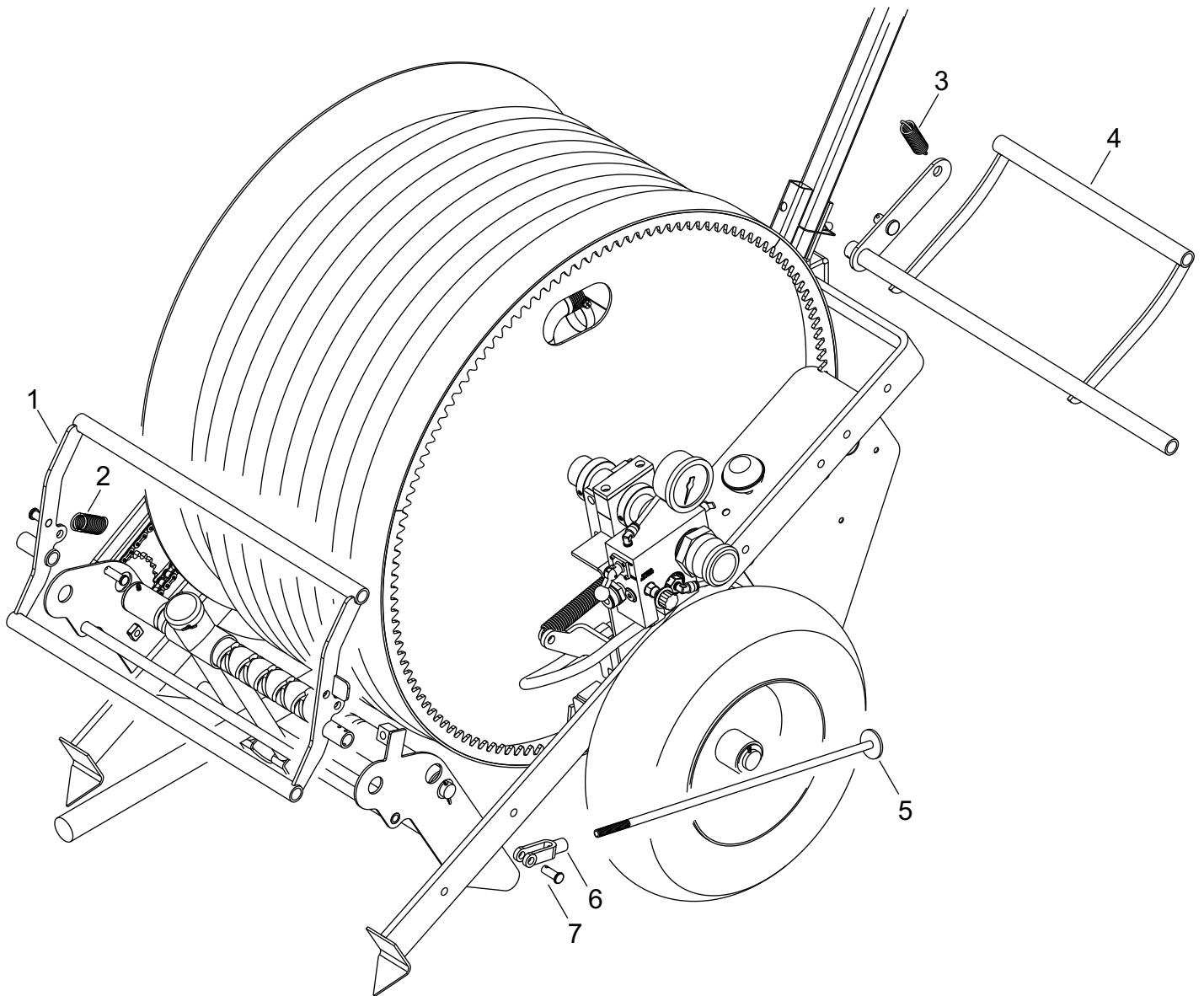
| Item | Part Number | Description                           | Qty |
|------|-------------|---------------------------------------|-----|
| 1    | 50104330    | SPRING, COMP. .075W X .5 OD X 1.0"    | 1   |
| 2    | 50802610    | BRAKE MOUNT                           | 1   |
| 3    | 50006220    | BRAKE BAND                            | 1   |
| 4    | 50104140    | PIN, BRAKE BAND RET. WRT              | 1   |
| 5    | 51000290    | J BOLT                                | 1   |
| 6    | 58702520    | GRIP, BLACK MOCAP .812X4.0"           | 2   |
| 7    | 50405280    | TONGUE, WRB2C                         | 1   |
| 8    | 50406800    | PIN, SAFETY SNAP SQ. RETAINER 3/8"    | 1   |
| 9    | 50800040    | SPOOL, GEAR DRIVE                     | 1   |
| 10   | 50305461    | PLATE, BEARING - WRB2C                | 2   |
| 11   | 50302192    | BEARING, HALF 1.0" (UHMW)-WRB2C       | 4   |
| 12   | 50405470    | TUBE, PE 33MM 1.1 X 280FT             | 1   |
| 13   | 50702860    | CLAMP, HOSE 13/16 TO 1-1/2 WORM       | 1   |
| 14   | 50800100    | FRAME, GEAR DRIVE B110                | 1   |
| 15   | 55926970    | PIN, COTTER 1/8 X 1-1/2               | 4   |
| 16   | 58505310    | BUSH, MACH 1-1/2X1X14GA               | 4   |
| 17   | 50305280    | WHEEL ASM, RIM, TIRE, BUSH 16X6.5X8X1 | 2   |
| 18   | 51000280    | BRAKE STRAP B/E110                    | 1   |

# Levelwind Group



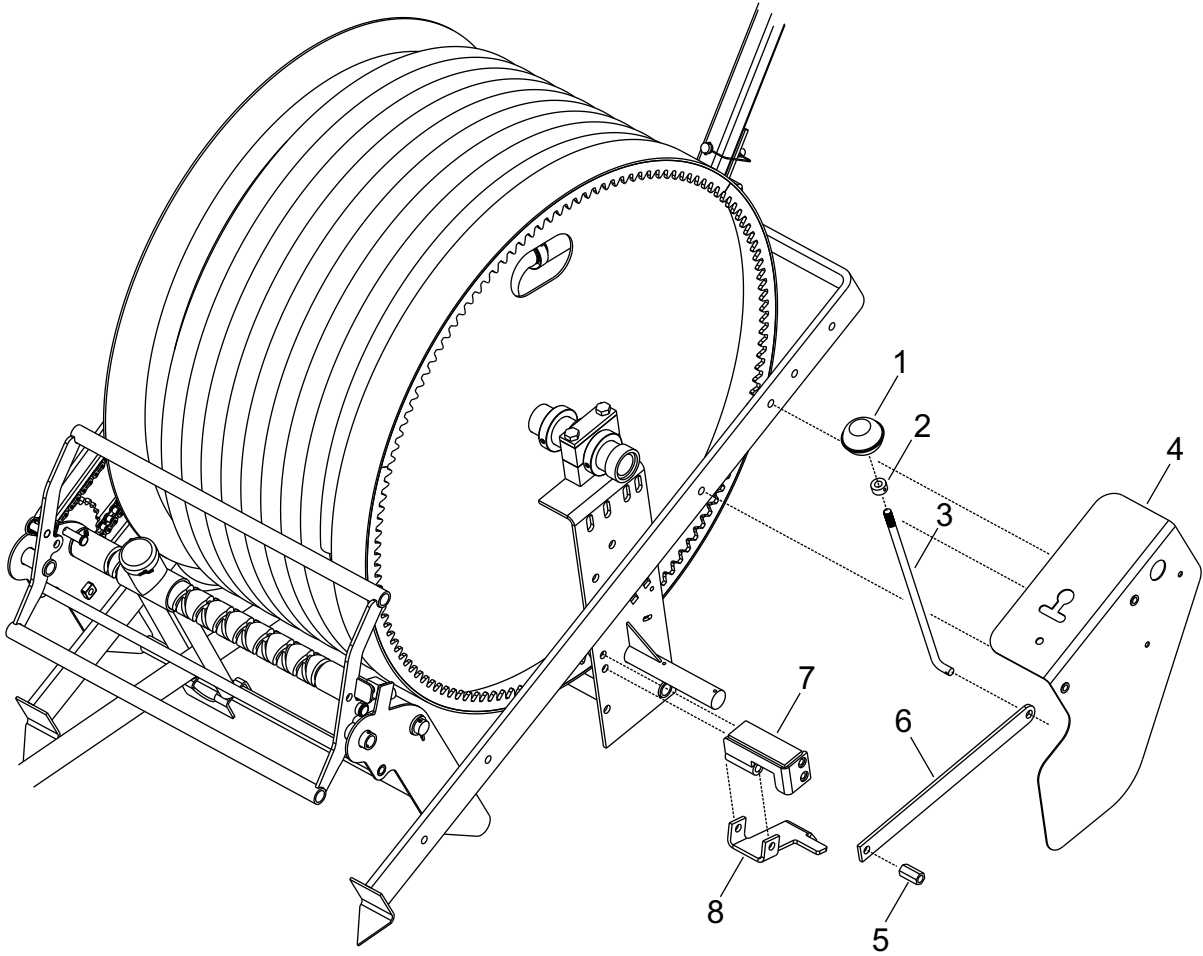
| Item | Part Number | Description                         | Qty      |
|------|-------------|-------------------------------------|----------|
| 1    | 50802930    | GUARD, LVLWND CHAIN WRB2 GEAR DRIVE | 1        |
| 2    | 50803181    | LEVELWIND SHIELD BRACKET            | 1        |
| 3    | 50405830    | IDLER,BOLT WRT4/5C LEVELWIND PL     | 1        |
| 4    | 87548450    | CHAIN,#40 ROLLER                    | ft. 3.75 |
| 5    | 50403500    | SHAFT ASM, LEVELWIND - WRB2C        | 1        |
| 6    | 50302413    | BUSHING,FLANGE .625IDX.38 X1.5      | 1        |
| 7    | 50302080    | SCREW, LEVELWIND - WRB2C            | 1        |
| 8    | 55926971    | PIN,COTTER 1/8 X 2-1/2              | 1        |
| 9    | 50303680    | CAP. BLACK MOCAP 1.75" X 0.5" FE    | 1        |
| 10   | 50302400    | BUSHING,FLANGE .75X1X.25 (UHMW)     | 1        |
| 11   | 50303350    | SLEEVE,LEVELWIND KNIFE (UHMW)       | 1        |
| 12   | 50302320    | KNIFE, LEVELWIND - WRB2C/3C/T4C/5C  | 1        |
| 13   | 50800900    | LEVEL WIND FORK FOR GEAR B110       | 1        |

# Shutdown & Tube Rider Group



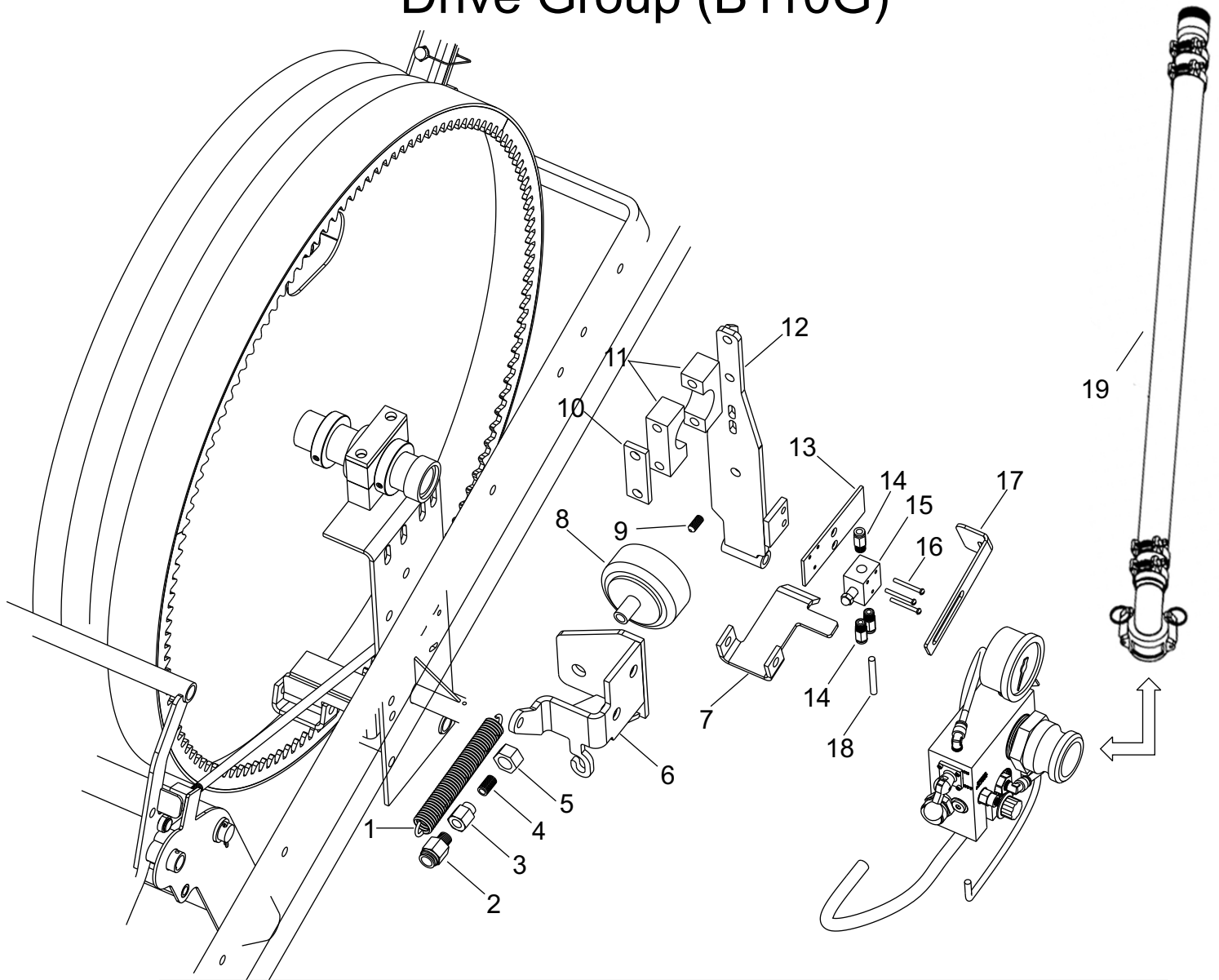
| Item | Part Number | Description                    | Qty |
|------|-------------|--------------------------------|-----|
| 1    | 50800730    | SHUT OFF BAR GEAR DRIVE PCB    | 1   |
| 2    | 45048450    | SPRING TNSN.67IDX3-1/8PLT      | 1   |
| 3    | 45048583    | SPRING TNSN 7/8X3.62X5/8       | 1   |
| 4    | 50800940    | TUBE RIDER GEAR DRIVE WRB2 PCB | 1   |
| 5    | 50800740    | VALVE SHUT OFF ROD             | 1   |
| 6    | 50401940    | YOKE END, 3/8-24 THREAD        | 1   |
| 7    | 55848562    | PIN,CLEVIS 3/8 X 1 ZINC PLATED | 1   |

# Disengage & Hold Pawl Group



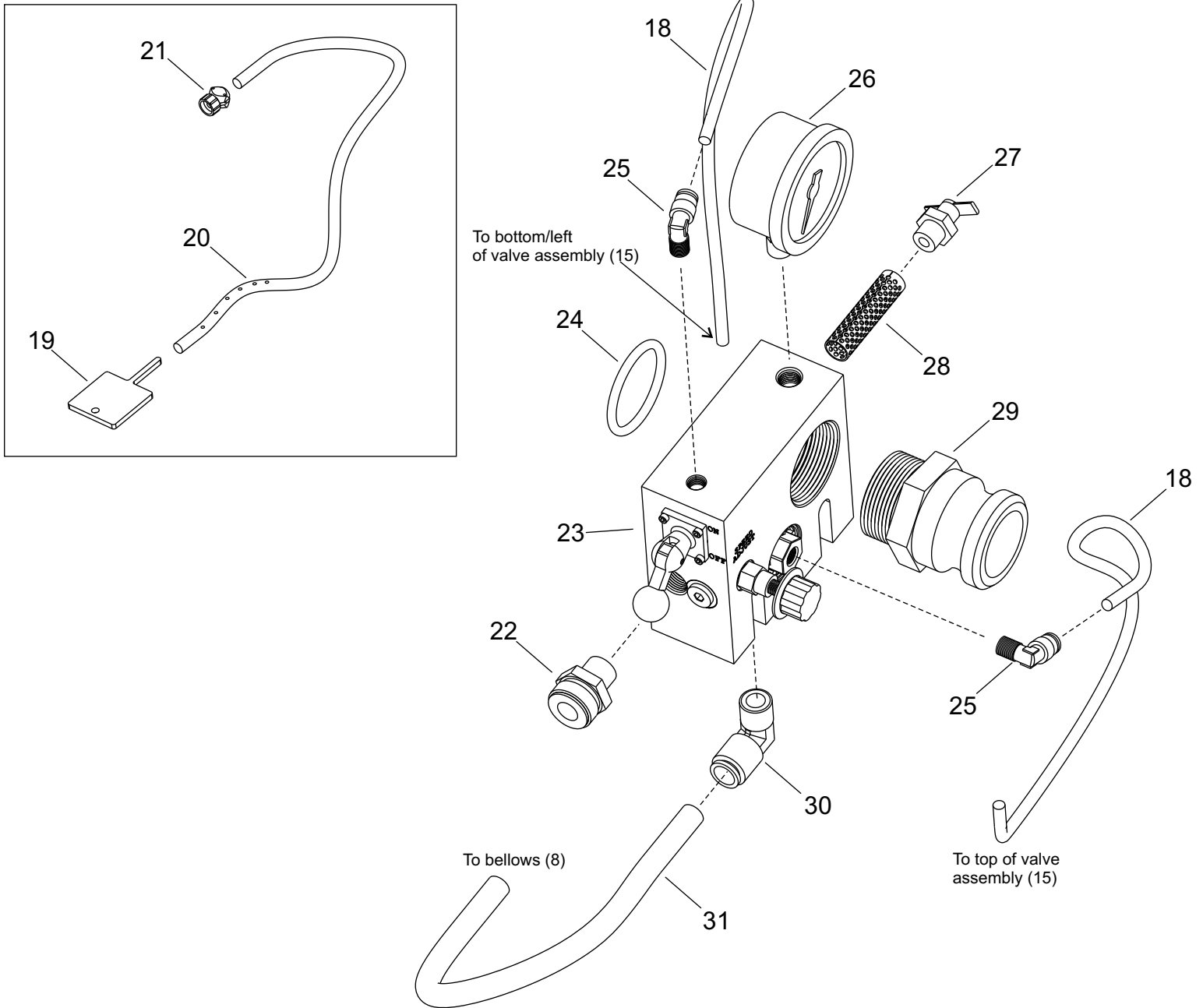
| Item | Part Number | Description                     | Qty |
|------|-------------|---------------------------------|-----|
| 1    | 30249150    | KNOB,BALL 3/8-16 FEMALE THREADS | 1   |
| 2    | 51348440    | COLLAR,SET 3/8"                 | 1   |
| 3    | 50802810    | PAWL LIFT ROD                   | 1   |
| 4    | 50900242    | SIDE SHIELD, B2 GEAR DRIVE PB   | 1   |
| 5    | 55101737    | NUT, COUPLING 3/8-16 X 1-1/8    | 1   |
| 6    | 50802791    | PAWL LIFT BAR PLATED            | 1   |
| 7    | 50802590    | REAR PAWL MT.                   | 1   |
| 8    | 50800071    | PAWL, GEAR DRIVE PLATED         | 1   |

# Drive Group (B110G)



| Item | Part Number | Description                          | Qty   |
|------|-------------|--------------------------------------|-------|
| 1    | 50406820    | SPRING 7/8OD X 7.0" X .12W PLATED    | 1     |
| 2    | 52549177    | FTG TB ST1/4MNPTX1/2TUBE             | 1     |
| 3    | 52511803    | CPLNG,RDCNG BR 1/4X1/8               | 1     |
| 4    | 52508982    | NPPL,CLOSE BR 1/8 SCHD. 80           | 1     |
| 5    | 55101760    | NUT,5/8                              | 1     |
| 6    | 50800664    | BELLOWS MT, WRB2C GEAR DR PCB        | 1     |
| 7    | 50800071    | PAWL, GEAR DRIVE PLATED              | 1     |
| 8    | 58607941    | BELLOWS, 1S3-013 - WRB2              | 1     |
| 9    | 56249092    | SCREW,SET CUP5/16-18 X3/4            | 1     |
| 10   | 50305461    | PLATE, BEARING - WRB2C PB            | 1     |
| 11   | 50302192    | BEARING,HALF 1.0" (UHMW)-WRB2C       | 2     |
| 12   | 50800060    | BELLOW ARM GEAR DRIVE B110           | 1     |
| 13   | 58608690    | MOUNT,VALVE                          | 1     |
| 14   | 52549170    | FTG,TB ST 1/8MNPTX1/4TUBE            | 3     |
| 15   | 59401530    | VALVE ASM, (W/SPOOL,STUD & NUTS)     | 1     |
| 16   | 55049050    | SCREW ROUND HEAD, #6 X 1-1/4 SLOTTED | 3     |
| 17   | 50800670    | VALVE STRIKER GEAR DRIVE, PCB        | 1     |
| 18   | 25249390    | TUBE,SYNFLEX 1/4                     | ft. 4 |
| 19   | 50206165    | HOSE, SPPLY, 1 1/2"C CMLCK END X 15' | 1     |

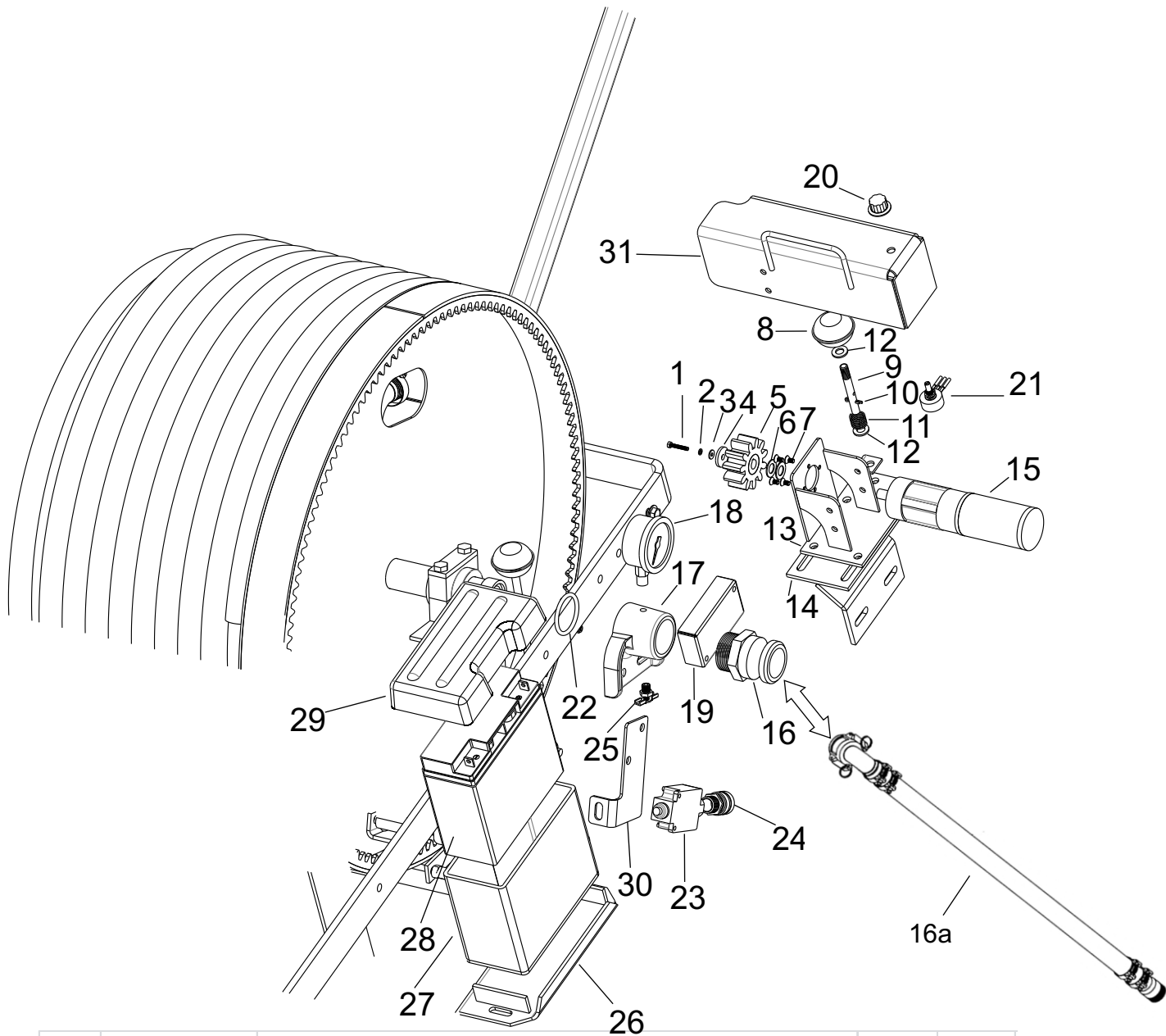
# Drive Group (B110G)



| Item | Part Number | Description                         |     | Qty  |
|------|-------------|-------------------------------------|-----|------|
| 18   | 25249390    | TUBE,SYNFLEX 1/4                    | ft. | 4    |
| 19   | 58609223    | HOSE END, DISCHARGE PB              |     | 1    |
| 20   | 58700512    | HOSE, PERF DISCHARGE - WRB2C/3C     |     | 1    |
| 21   | 50400430    | NYLON FEMALE COUPLING GARDEN HOSE   |     | 1    |
| 22   | 50305750    | ADPTR, GARDEN HOSE-TO-PIPE 3/8 MNPT |     | 1    |
| 23   | 50302020    | VALVE ASM, MAIN - WRB2C/3C          |     | 1    |
| 24   | 58609918    | O-RING 2-1/8 X 1-3/4 X 3/16         |     | 1    |
| 25   | 52549150    | FTG,TB 90 1/8MNPTX1/4TUBE           |     | 2    |
| 26   | 58606740    | GAUGE, PRESS 0-160                  |     | 1    |
| 27   | 52532161    | PETCOCK, DRAIN BR 3/8               |     | 1    |
| 28   | 50406360    | SCREEN, BELLOWS MANIFOLD - WRB2/3C  |     | 1    |
| 29   | 58608030    | CMLK,F MA1-1/2X1-1/2MNPT            |     | 1    |
| 30   | 52549174    | FTG,TB 90 3/8MNPT X 1/2"            |     | 1    |
| 31   | 25249393    | TUBE,SYNFLEX 1/2 OD                 | ft. | 0.28 |

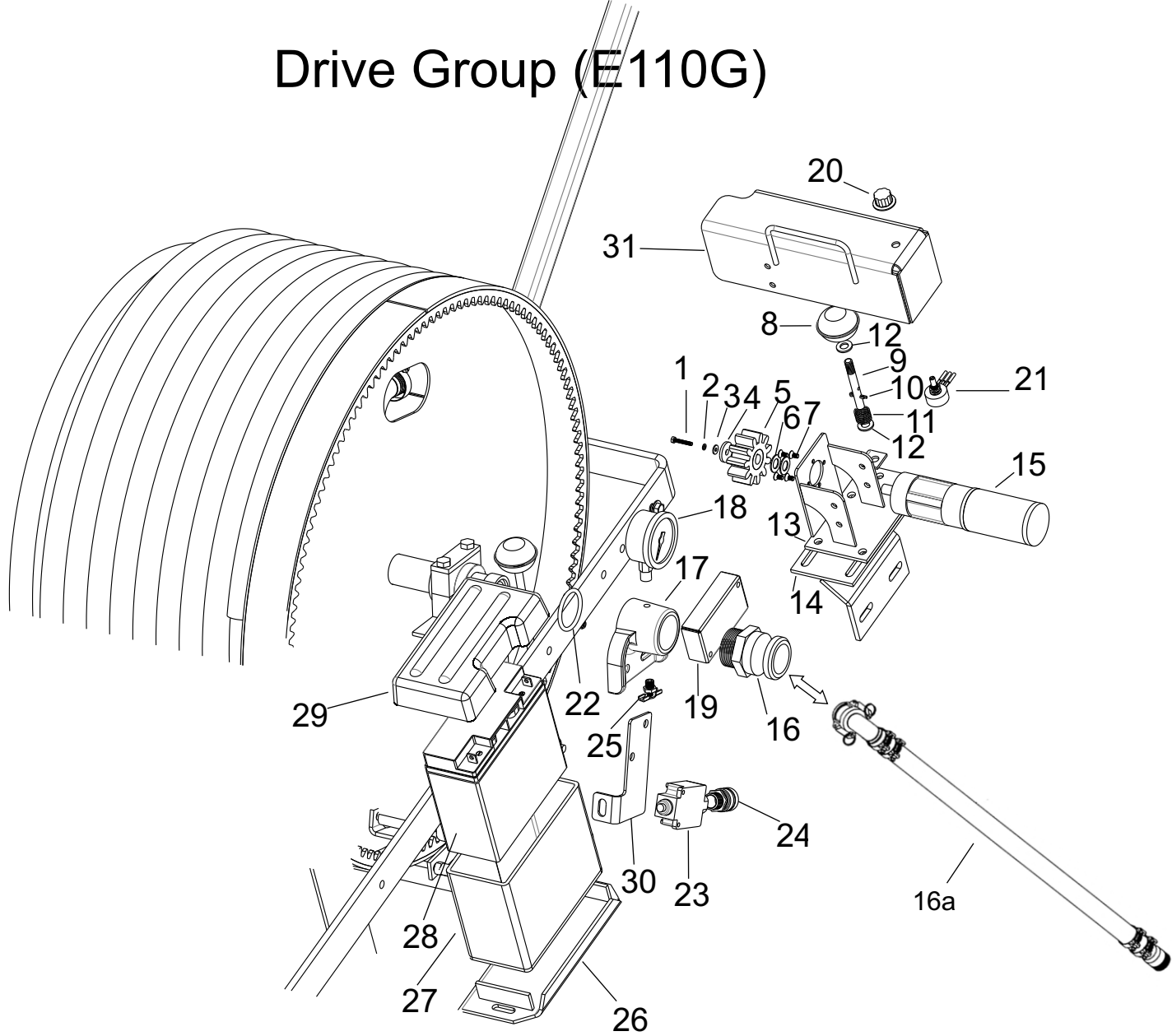


# Drive Group (E110G)



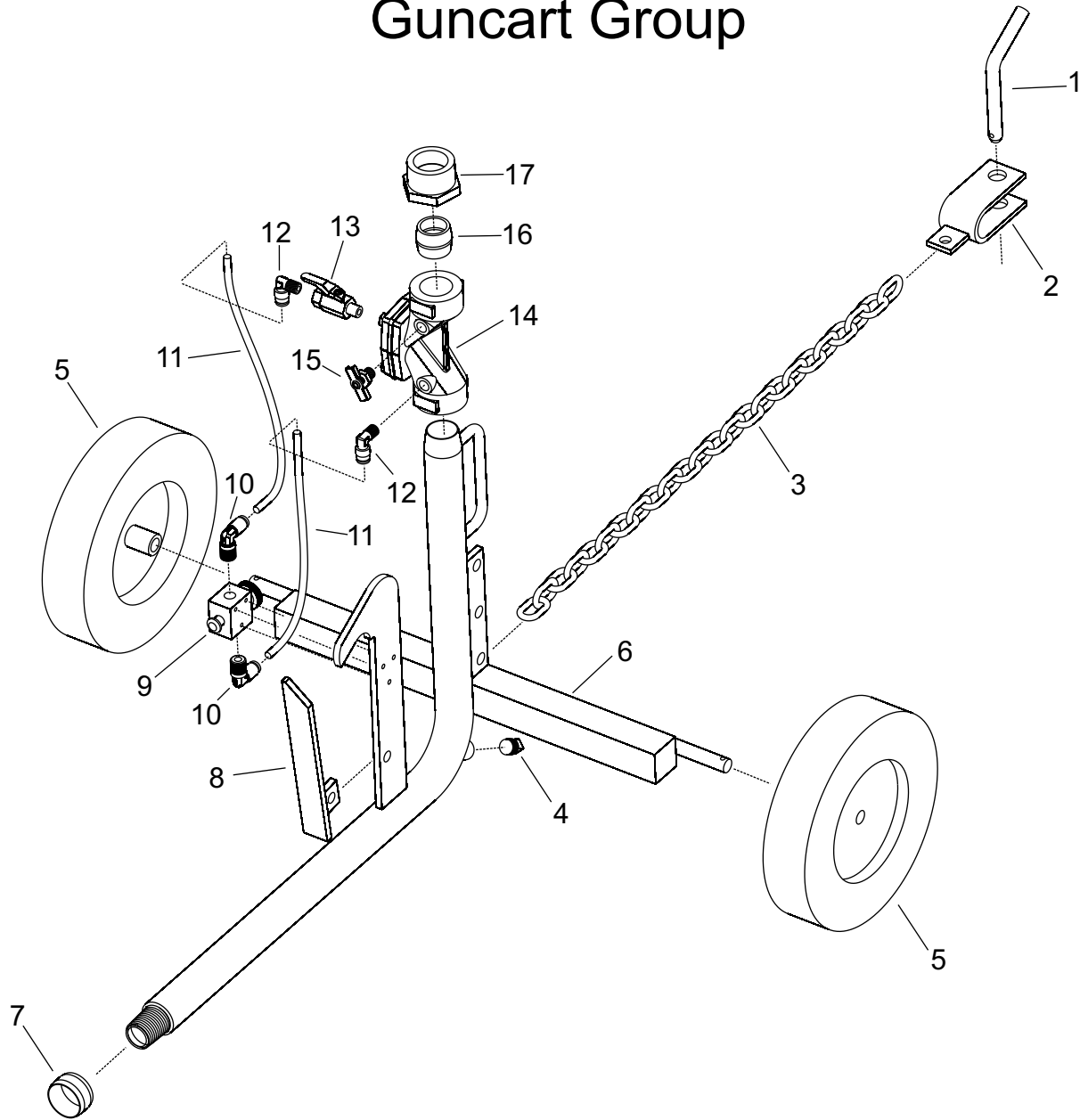
| Item | Part Number | Description                         | Qty |
|------|-------------|-------------------------------------|-----|
| 1    | 50900320    | HEX HEAD CAP SCREW M4X25            | 1   |
| 2    | 58408310    | WASHER, LOCK #8                     | 1   |
| 3    | 55348470    | WASHER, FLAT SAE #8                 | 1   |
| 4    | 59800520    | WASHER, 6MMX25.4MMX1/8" T           | 1   |
| 5    | 50900330    | PINION, 12V DC MOTOR                | 1   |
| 6    | 51100740    | SHIM 1MMX14MMX20MM                  | 2   |
| 7    | 50900310    | SCREW, SOCKET CAP M5X10             | 4   |
| 8    | 30249150    | KNOB, BALL 3/8-16 FEMALE THREADS    | 1   |
| 9    | 50401900    | PIN, STABILIZER LOCK-WRT4C/5C PL    | 1   |
| 10   | 55913310    | PIN, COTTER 1/8 X 3/4               | 1   |
| 11   | 50402150    | SPRING, COMP 3/4 X 7/8 X .052 PL    | 1   |
| 12   | 55301680    | WASHER, FLAT 3/8" SPEC. 10MM        | 2   |
| 13   | 50802562    | MOUNT, 12V DC MOTOR                 | 1   |
| 14   | 50802521    | MOUNT BRACKET, 12V DC MOTOR         | 1   |
| 15   | 50900270    | MOTOR, 12V DC, PLANETARY GEAR MOTOR | 1   |
| 16   | 58608030    | CMLK, F MA1-1/2X1-1/2MNPT           | 1   |
| 16a  | 50206165    | HOSE, SPPY 1 1/2" C CMLCK END X 15' | 1   |

# Drive Group (E110G)



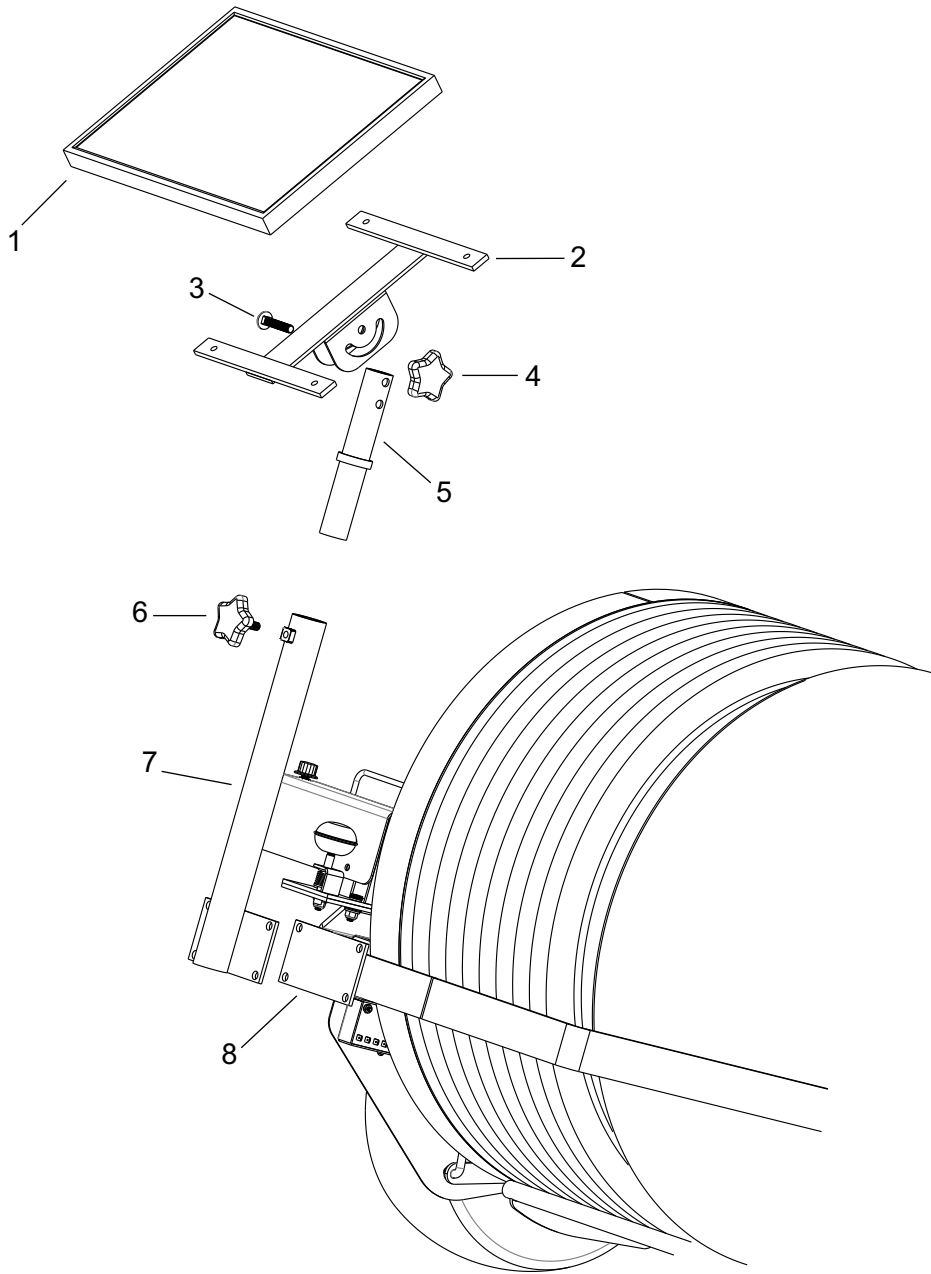
| Item | Part Number | Description                         | Qty |
|------|-------------|-------------------------------------|-----|
| 17   | 50900040    | ENTRY FITTING, B2 ELECTRIC DR       | 1   |
| 18   | 58606740    | GAUGE, PRESS 0-160                  | 1   |
| 19   | 50900260    | SPEED CONTROL, 12V DC MOTOR, MODULE | 1   |
| 20   | 50500881    | KNOB, NEEDLE VALVE ASSY.            | 1   |
| 21   | 50900250    | CONTROL, 12V DC MOTOR POTENTIOMETER | 1   |
| 22   | 58609918    | O-RING 2-1/8 X 1-3/4 X 3/16         | 1   |
| 23   | 52662151    | SWITCH 6 X 613                      | 1   |
| 24   | 52662170    | GROMMET, CMPRSSN 1/2 NPT            | 1   |
| 25   | 52532250    | PETCOCK, DRAIN BR 1/8               | 1   |
| 26   | 51000540    | BATTERY BOX MT, WRE2G               | 1   |
| 27   | 51000520    | BOTTOM, BATTERY BOX WRE2G           | 1   |
| 28   | 50900280    | BATTERY, 12V SEALED-LEAD ACID       | 1   |
| 29   | 51000530    | TOP, BATTERY BOX WRE2G              | 1   |
| 30   | 50803241    | BRACKET, SHUT OFF ROD PLATED        | 1   |
| 31   | 51000801    | GUARD, MOTOR E110G PB               | 1   |
| 32   | 50105920    | STRAP, BATTERY (NOT SHOWN)          | 1   |

# Guncart Group



| Item | Part Number | Description                         | Qty   |
|------|-------------|-------------------------------------|-------|
| 1    | 59801541    | PIN,HITCH 1/2 X 2-1/2 BENT          | 1     |
| 2    | 59602330    | CLEVIS,PULL CHAIN PL                | 1     |
| 3    | 50106090    | CHAIN, 3/16 PROOF, 24" LONG         | 1     |
| 4    | 52502621    | PLUG, BR 1/4                        | 1     |
| 5    | 58700003    | WHEEL 8X1-7/16 X 1/2                | 2     |
| 6    | 50302571    | BODY, GUNCART - WRB2C PS            | 1     |
| 7    | 59203320    | SLEEVE,B-110 PLATED                 | 1     |
| 8    | 50404701    | BRACKET, VALVE STRIKER - WRB2C PS   | 1     |
| 9    | 42548450    | VALVE,MA33 NKL-ALM SPOOL            | 1     |
| 10   | 52549150    | FTG,TB 90 1/8MNPTX1/4TUBE           | 2     |
| 11   | 25249390    | TUBE,SYNFLEX 1/4                    | ft. 2 |
| 12   | 52549150    | FTG,TB 90 1/8MNPTX1/4TUBE           | 2     |
| 13   | 59603720    | VALVE 1/4 TURN 1/8FNPT X 1/8MNPT    | 1     |
| 14   | 50302815    | VALVE, DIAPHRAGM 1" (FNPT)CAST.IRON | 1     |
| 15   | 52532250    | PETCOCK,DRAIN BR 1/8                | 1     |
| 16   | 52520041    | NPPL,CLOSE GLV 1"                   | 1     |
| 17   | 52549421    | BSHNG,RDCNG GLV 1-1/4X1             | 1     |

# Solar Panel Group (Option) E110G



| Item | Part Number | Description                       | Qty |
|------|-------------|-----------------------------------|-----|
| 1    | 51000870    | SOLAR PANEL 12 WATT               | 1   |
| 2    | 51000750    | MT,SOLAR PANEL E110G              | 1   |
| 3    | 55046361    | BOLT,CARR 3/8 X 2                 | 1   |
| 4    | 50403130    | KNOB, STAR 3/8-16 THREADED INSERT | 1   |
| 5    | 51000710    | PIVOT PIPE,SOLAR PANEL E110G      | 1   |
| 6    | 50100050    | KNOB, STAR 3/8-16 X 1" MALE       | 1   |
| 7    | 51000680    | MT BASE,SOLAR PANEL E110G         | 1   |
| 8    | 50600860    | PLATE, TANK MT E4/5               | 1   |