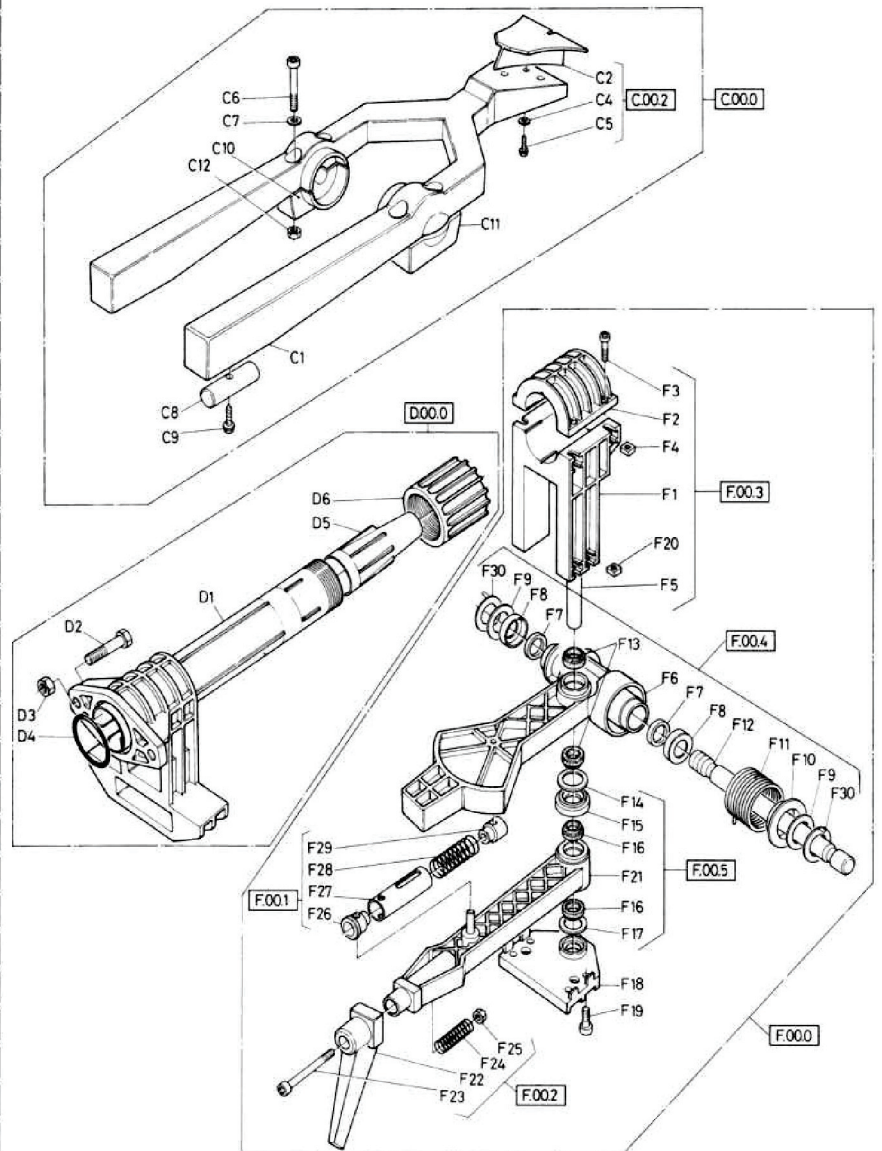
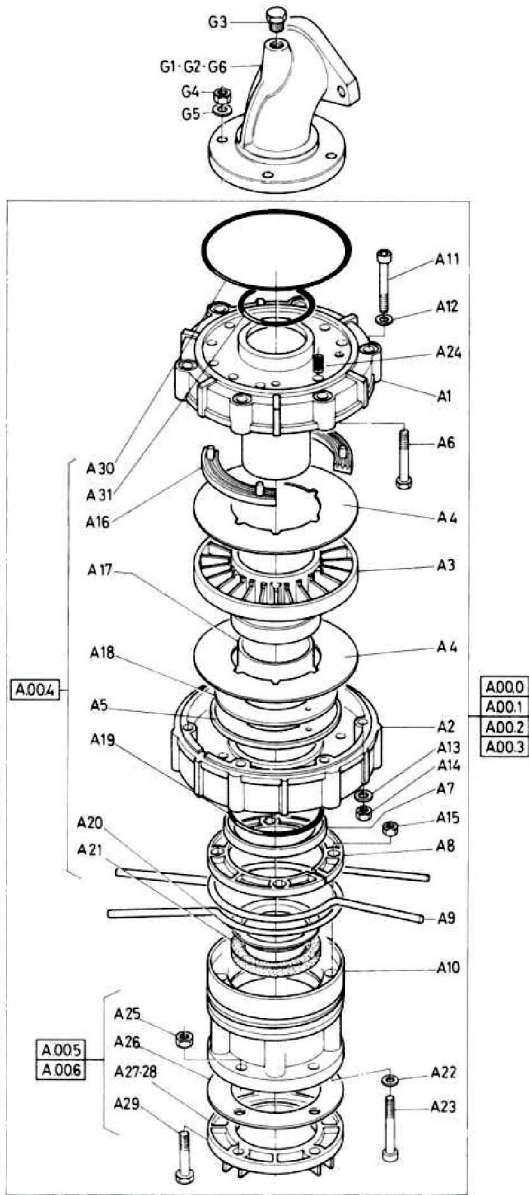




KOMET TWIN MAX

PC = Part circle



No.	Part Number	Description	Qty.
A.00.0	077-0050-2	Assembly-Housing PC - 2"	1
A.00.1	077-0051-2	Assembly-Housing PC - 2" BSPF	1
A.00.2	077-0052-2	Assembly-Housing PC - 2" NPTF	1
A.00.3	077-0053-2	Assembly-Housing FC - 2" BSPF	1
A1	077-0054-2	Housing cover	1
A2	077-0055-2	Housing	1
A3	077-0056-2	Collar bearing	1
A4	077-0057-2	Brake disk	2
A6	077-0059-2	Bolt	4
A7	077-0060-2	Retaining ring	1
A8	077-0061-2	Collar	2
A9	077-0062-2	Trip stop ring	2
A10	077-0063-2	Base	1
A11	077-0064-2	Bolt	6



KOMET TWIN MAX

A24	077-0071-0	spring		4
A25	077-0072-0	Nut		4
A26	077-0073-0	Flange seal		1
A29	077-0074-0	Bolt		4
A30	077-0075-0	O-Ring		1
A31	077-0076-0	O-Ring		1
A.00.4	077-0077-0	Assembly-Brake		1
A.00.5	077-0078-0	Assembly-Adapter thread - 2" BSPF		1
A.00.6	077-0079-0	Assembly-Adapter thread - 2" NPTF		1
C.00.0	077-0080-0	Assembly-Drive arm-PC		1
C.00.1	077-0081-0	Assembly-Drive arm-FC		1
C.00.2	077-0082-0	Deflection Assy-PC		1
C.00.3	077-0083-0	Deflection Assy-FC		1
C6	077-0084-0	Bolt		4
C7	077-0085-0	Washer		4
C9	077-0086-0	Bolt		1
C12	077-0087-0	Nut		4
D.00.0	077-0088-0	Assembly-Barrel - PC		1
D.00.1	077-0089-0	Assembly-Barrel - FC		1
D2	077-0090-0	Bolt		2
D3	077-0091-0	Nut		2
D4	077-0092-0	O-Ring		1
D5	077-0093-0	Nozzle		1
D6	077-0094-0	Nozzle cap BC/U		1
F.00.0	077-0095-0	Assembly- Trip leverage		1
F.00.1	077-0096-0	Assembly- Trip spring		1
F.00.2	077-0097-0	Assembly- Trip lever		1
F.00.3	077-0098-0	Assembly- Bracket		1
F.00.4	077-0099-0	Assembly- Upper shift lever		1
F.00.5	077-0100-0	Assembly- Lower shift lever		1
F3	077-0101-0	Bolt		4
F4	077-0102-0	Square nut		4
F9	077-0103-0	Washer		4
F10	077-0104-0	Cap		1
F11	077-0105-0	Spring drive arm		1
F14	077-0106-0	Spacer		1
F15	077-0107-0	Anti dust ring		1
F17	077-0108-0	Spacer		1
F18	077-0109-0	Cover for Sector		1
F19	077-0110-0	Bolt		4
F20	077-0111-0	Square Nut		4
F21	077-0111-1	Arm Asm, Swivel - Twinmax		1
F30	077-0120-0	Washer with Pin		2
G1	077-0112-0	Elbow 18 Deg.		1
G2	077-0113-0	Elbow 24 Deg.		1
G3	077-0114-0	Plug		1
G4	077-0115-0	Nut		4
G5	077-0116-0	Washer		4
G6	077-0117-0	Elbow 12 Deg.		1