

# PARTS MANUAL

**Models: E200LST  
E210ST**

**Serial Numbers: 560,530 +**

700 South Schrader Avenue

P.O. Box 290

Havana, IL 62644

Phone (309)543-4425

Fax (309)543-4945

[www.kifco.com](http://www.kifco.com)

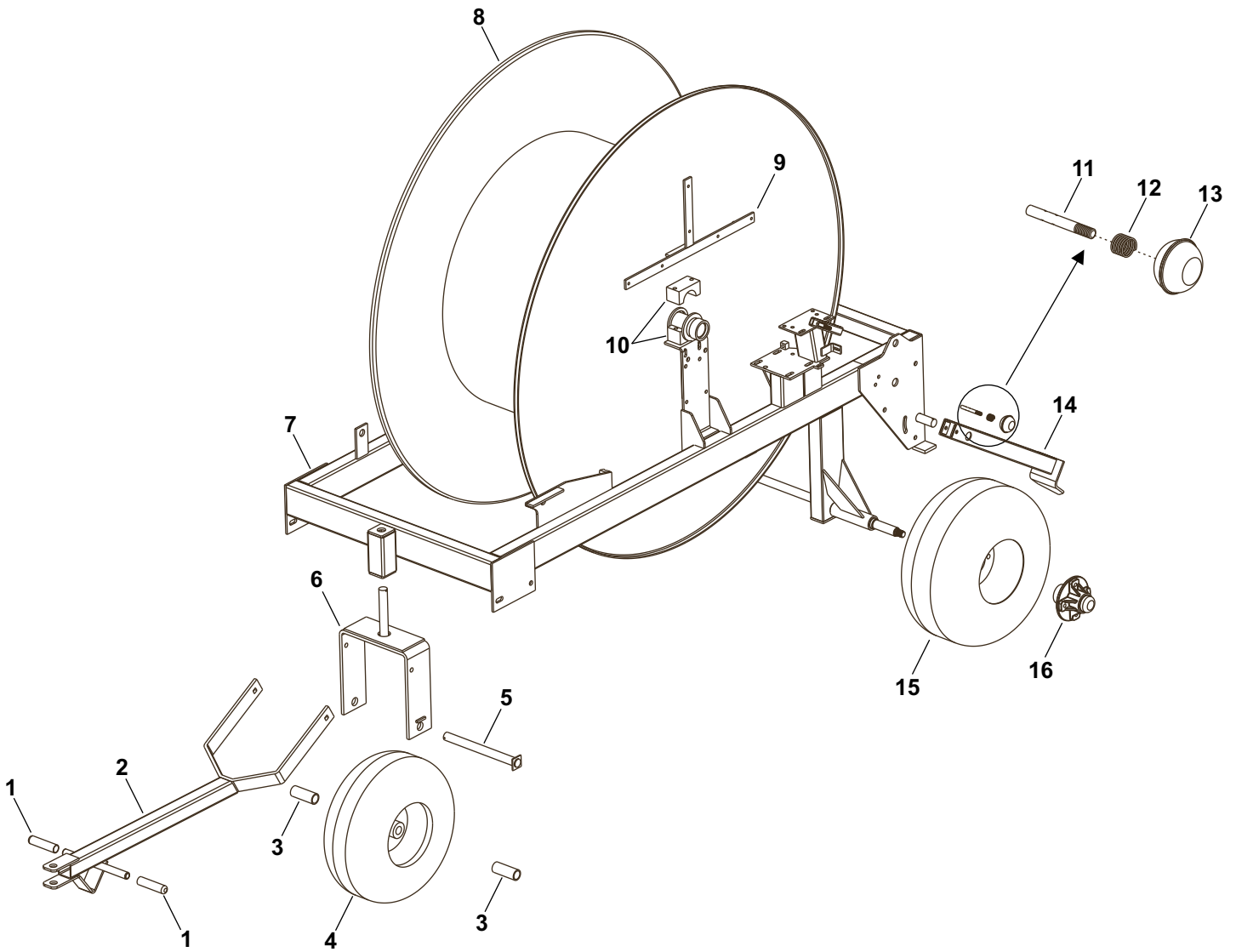
Copyright © March 16th , 2021 by Kifco' Inc.

# Page Index

<b>DESCRIPTION</b>	<b>PAGE(S)</b>
<b>Main Frame Group</b>	<b>3 - 4</b>
<b>Spool Hose</b>	<b>4</b>
<b>Drive Train Group</b>	<b>5 - 7</b>
<b>Engine Drive Group</b>	<b>8 - 9</b>
<b>Level Wind Group</b>	<b>10</b>
<b>Shut Down Group</b>	<b>11</b>
<b>Tube Rider</b>	<b>11</b>
<b>Gun Cart Group</b>	<b>12 - 13</b>
<b>Gun Cart Valve Plumbing Circuit</b>	<b>14</b>
<b>Guard Group</b>	<b>15</b>
<b>Drip Pans</b>	<b>16</b>
<b>5.5 HP Booster Pump</b>	<b>17</b>
<b>9 HP Booster Pump</b>	<b>18</b>
<b>Booster Pump Components</b>	<b>19</b>
<b>Fuel Tank &amp; Components</b>	<b>20</b>
<b>Notes</b>	<b>21</b>

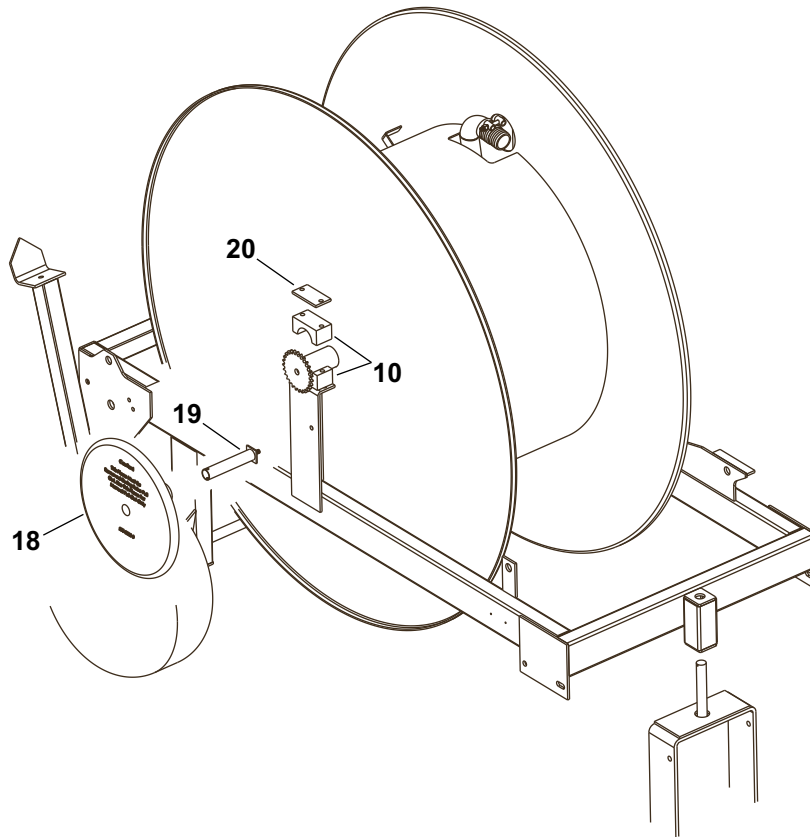
Items such as common fasteners, grease fitting, and other small parts easy to acquire locally are not listed

# Main Frame Group

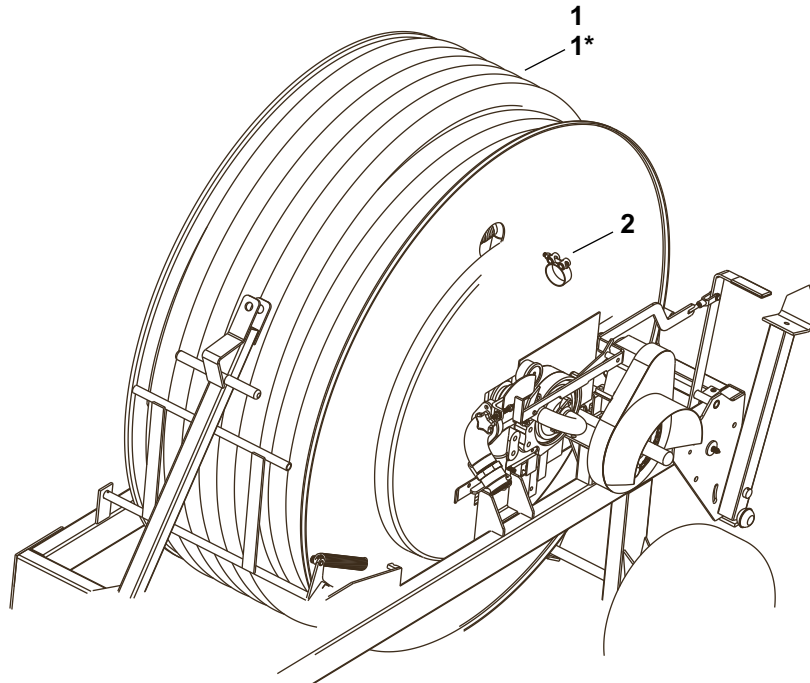


Item	Part Number	Description	Qty
1	58702520	GRIP,BLACK MOCAP.812X4.0"	2
2	50303210	TONGUE ASM - WRB3C - WRT5C, PCGY	1
3	50303862	SPCR,FRNT AXLE(3.36")-WRT4C/5C PL	2
4	59903941	WHEEL ASM,TIRE,RIM,BUSH 18X8.5X8X1"	1
5	50303151	AXLE ASM, FRONT-WRB3C THRU WRT5C	1
6	50303540	YOKE ASM, FRNT- B130C - T200C, PCGY	1
7	50401701	FRAME ASM, MAIN - WRT5C PCGY	1
8	50401600	SPOOL ASM, PE TUBE - WRT5C PCGR	1
9	50601260	SHIELD BRKT TOP T/E5/5 PCGY	1
10	50302191	BEARING,HALF 2.25" (UHMW)-WRT4C/5C	4
11	50401900	PIN, STABILIZER LOCK-WRT4C/5C PL	2
12	50402150	SPRING, COMP 3/4X7/8 X.052 PLATED	2
13	30249150	KNOB,BALL 3/8-16 FEMALE THREADS	2
14	50401740	LEG ASM, STABILIZR - WRT4C/5C PCGY	2
15	59903940	WHEEL&TIRE20X10X8 4BOLT4"	2
16	58802500	HUB ASSY,4BOLTW440 1-1/16	2
17	58803561	CAP,HUB	2

# Main Frame Group cont. & Hose

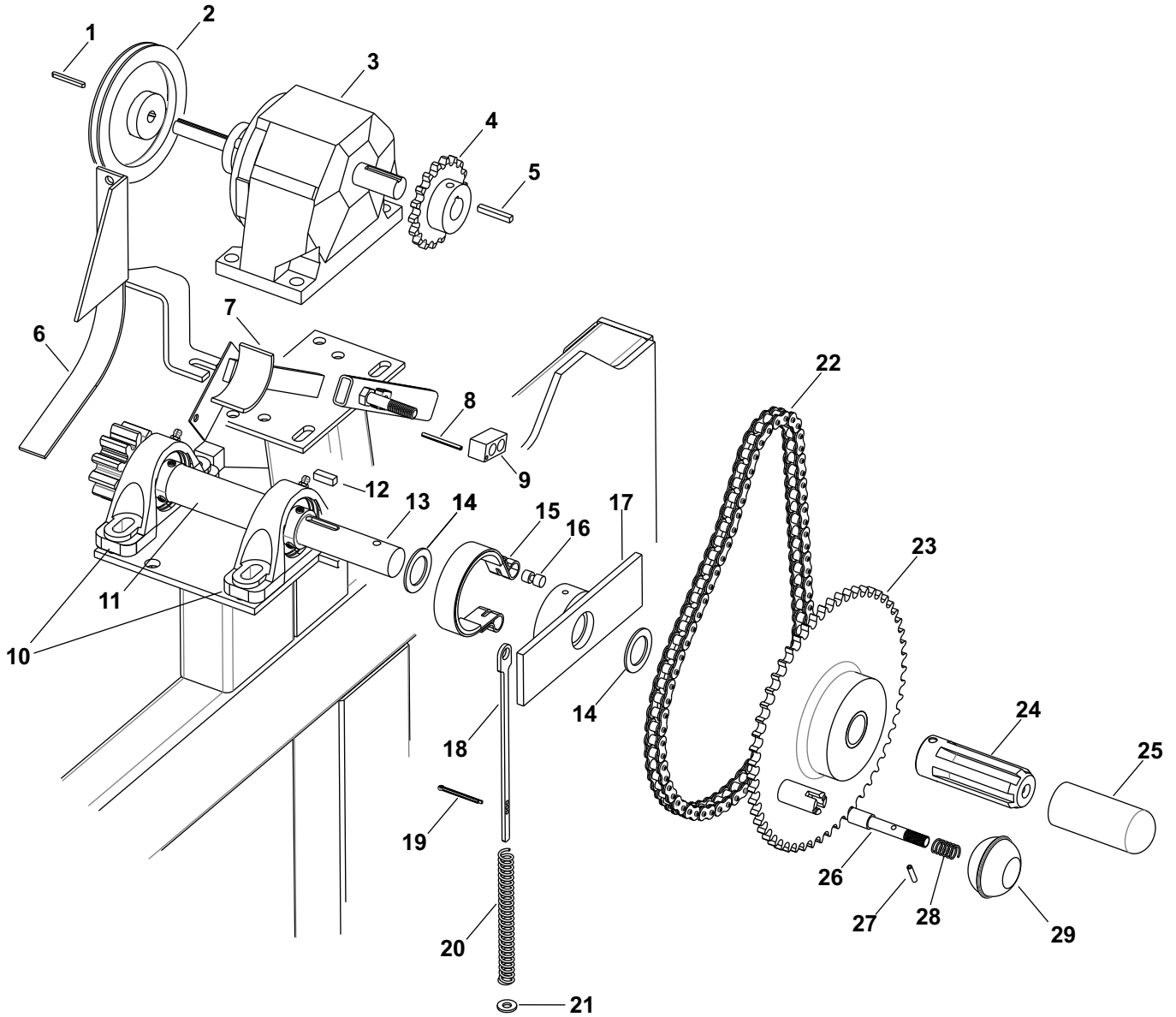


Item	Part Number	Description	Qty
18	50200050	WHEEL, PE TUBE HAND WIND	1
19	50201490	BRACKET ASM, HAND WHEEL	1
20	50305470	PLATE, BEARING - WRT4C/5C PCGY	1
10	50302191	BEARING, HALF 2.25" (UHMW)-WRT4C/5C	4



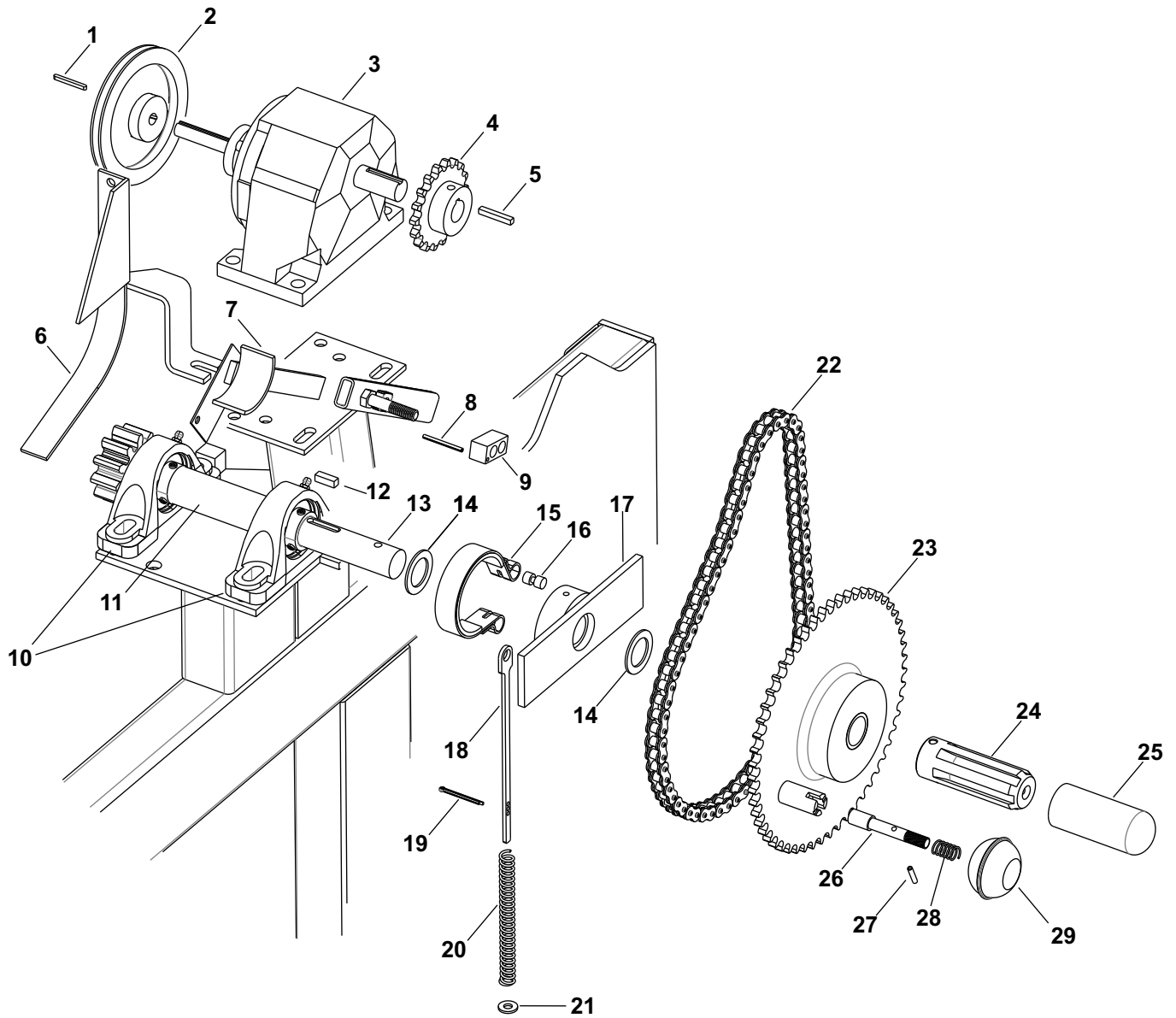
Item	Part Number	Description	Qty
1	50100340	TUBE, PE 58MM2.0IDX580FT (E200LST)	1
1*	59900896	TUBE, PE 63MM2.1IDX400FT (E210ST)	1
2	03019160	SUPRA CLAMP 59MM-63MM	1

# Drive Train Group



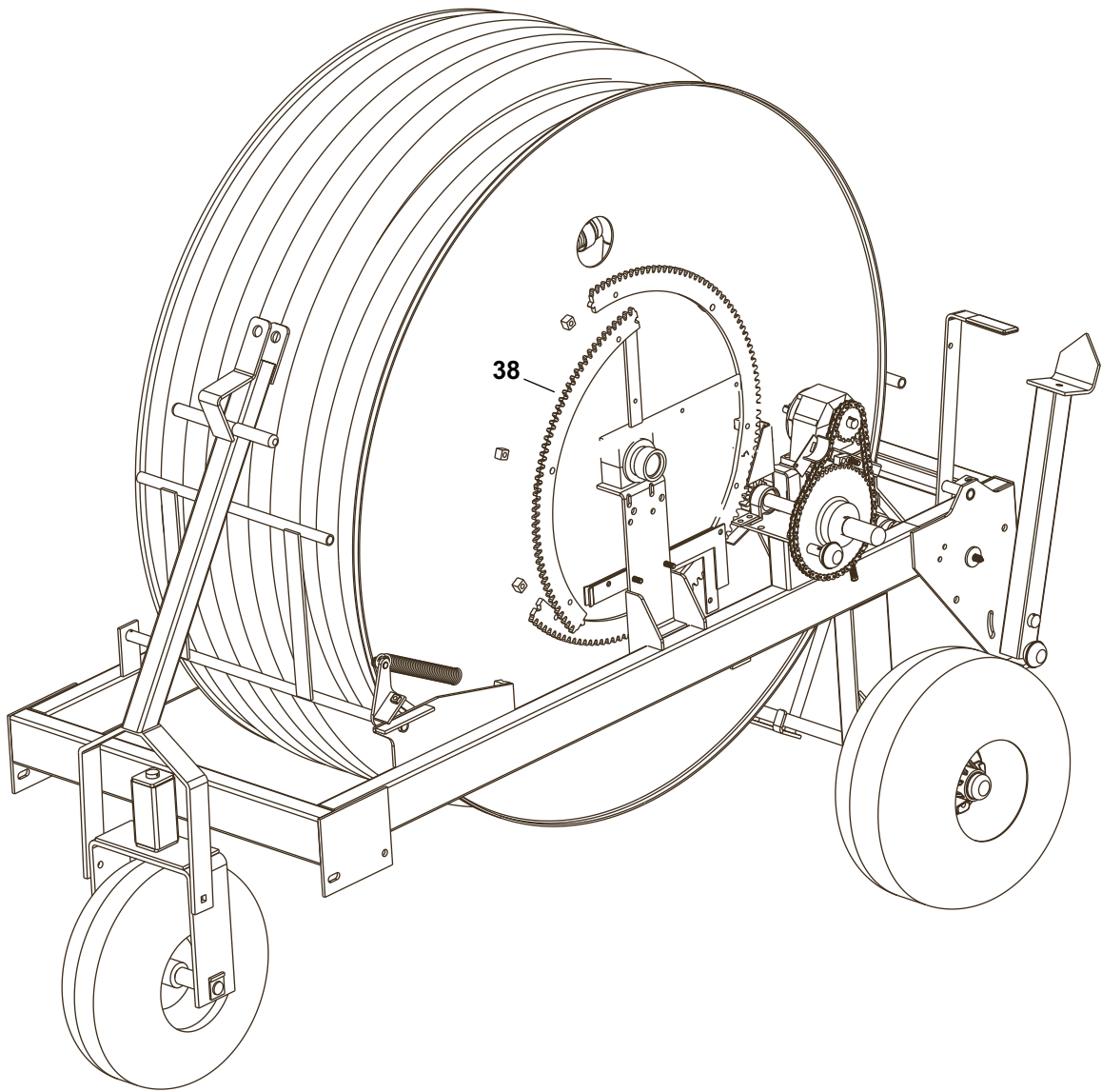
Item	Part Number	Description	Qty
1	50102590	KEY 1/8 SQ. X 1-1/4 RD END	1
2	50206715	PULLEY, 5.0 OD X 1/2 BORE CAST	1
3	50008501	GEARBOX 50-1 B TURB. LARGE 2STAGE	1
4	88048946	SPRKT,40B16 3/4"BORE	1
5	58504460	KEY 3/16 X 1-1/4	1
6	50601100	PINION GEAR SHIELD T/E5/5	1
7	50005800	IDLER, CHAIN.	1
8	50403320	PIN,SPRING 1/8" X 1-1/2 SS	1
9	50402350	PAWL, ANTI REVERSE - WRT4C/5C	1
10	50805970	BEARING, PLLW BLCK 1 INT CLR	2
11	50600410	GRIP, VINYL 1"X5-1/16" OAL BLACK	1
12	56316621	KEY 1/4 X 1/4 X 3/4	1
13	50304110	SHAFT ASM, PINION - WRT4C/5C	1
14	58505310	BUSHING, MACHINE 1-1/2X1X14GA	2
15	50006220	BRAKE BAND - WRT3/4/5, & 2G,4C/5C	1
16	50104140	PIN,BRAKE BAND RET. WRT	1
17	50003160	BRAKE DRUM, CLUTCH DOG	1
18	52000561	BRAKE TENSIONER T4/T5	1
19		PIN, COTTER 1/8 x 1-1/2	1
20	50104331	SPRING COMP. .075W X .5 OD X 5.0"	1
21		WASHER, FLAT SAE 1/4"	1

# Drive Train Group cont.



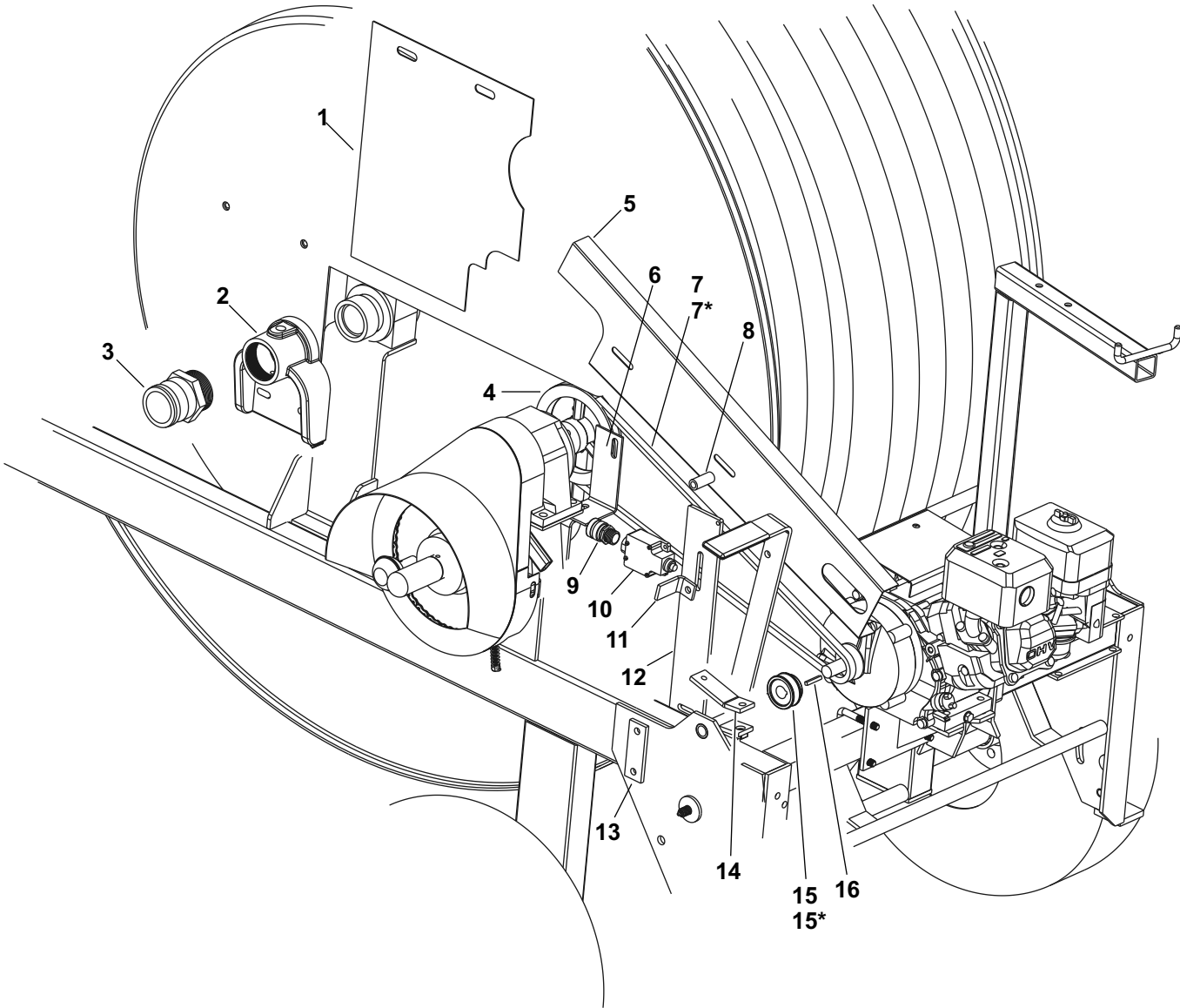
Item	Part Number	Description	Qty
22	50802950	CHAIN, #40 70 ROLLERS	1
23	50002160	SPROCKET ASM, CLUTCH-WRT3/4/5 & C	1
24	50003180	PTO SPLINE ADAPTOR	1
25	50303682	CAP, BLACK MOCAP 1.375" X 3" FE	1
26	59801300	CLUTCH DOG PIN PL	1
27	58505911	PIN,SPRING 5/32 X 3/4	1
28	50006210	SPRING, COMP .50"ODX.90LNG.046	1
29	30249150	KNOB,BALL 3/8-16 FEMALE THREADS	1

# Drive Train Group cont.



Item	Part Number	Description	Qty
1	50004871	GEAR SEGMENT, PE SPOOL - WRT4/5C	3

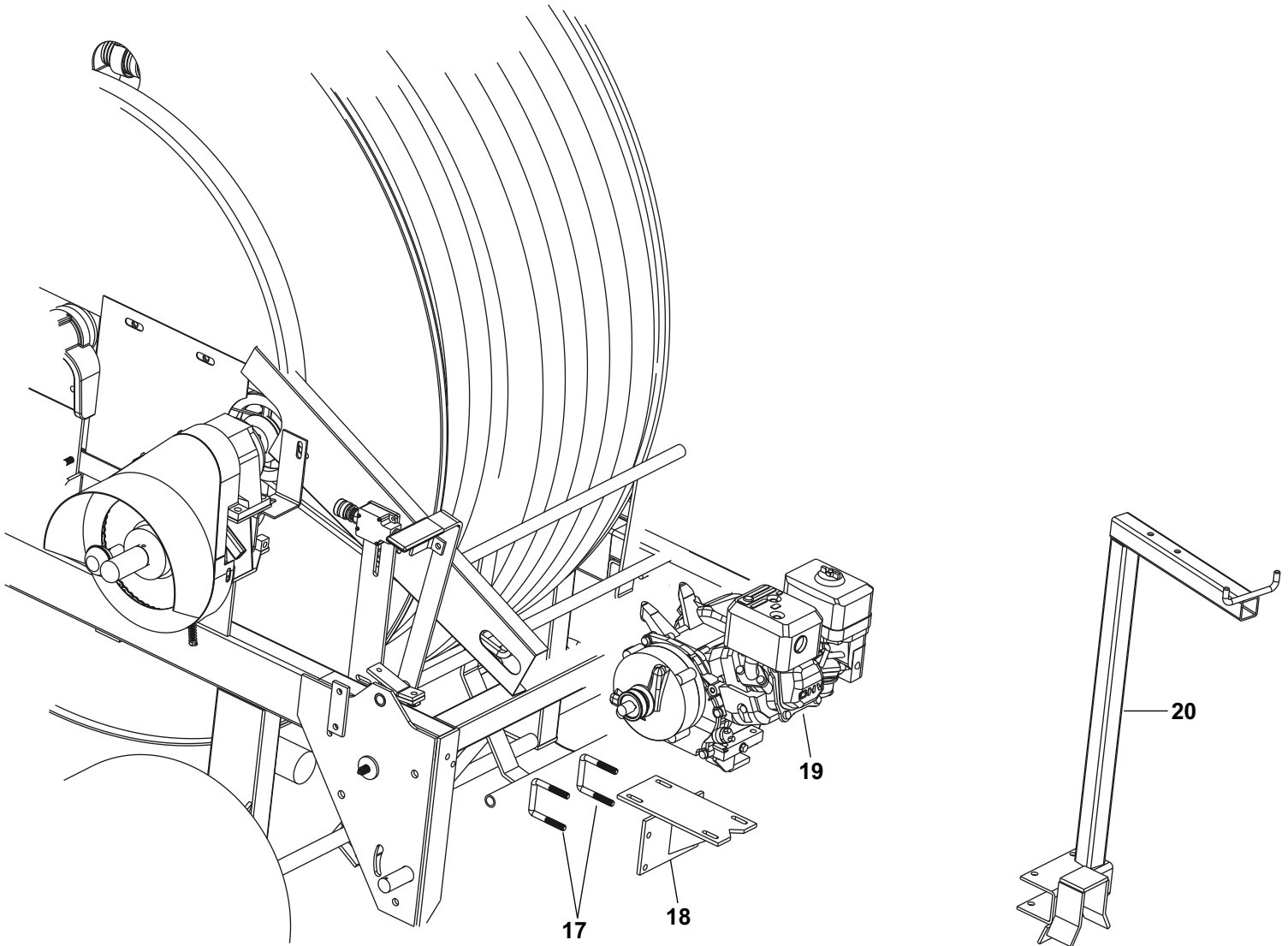
# Engine Drive Group



Item	Part Number	Description	Qty
1	50601311	GUARD,LWR RING GEAR ENGINE PCGY	1
2	50600950	ENTRY FITTING WRT/E4D	1
3	58608031	CMLK,F MA2X2MNPT	1
4	50206715	PULLEY, 5.0 OD X 1/2 BORE CAST	1
5	50601002	SHIELD, BELT WRES IRRIGATION PCGY	1
6	50601010	FRONT SHIELD MT. E4/5 PCGY	1
7	50004430	BELT AX 51 (E200LST)	1
7*	59904250	BELT AX 53 (E210ST)	1
8	50601110	BUSHING, BELT GUARD MT. REAR, PCGY	1
9	52662170	GROMMET,CMPRSSN 1/2 NPT	1
10	52662151	SWITCH 6 X 613	1
11	50600570	SWITCH STOP E4/5 PCGY	1
12	50600560	SWITCH MT. E4/5 PCGY	1
13	50601500	STRAP, CLAMP SHUT OFF ARM PCGY	1
14	50601280	SHUT OFF BAR STOP PCGY	1
15	59902931	PLLY, 2" X 3/4 BORE CAST WITH HUB (E200LST)	1
15*	50300500	PLLY, 3.05" X 3/4 BORE CAST WITH HUB (E210ST)	1
16	58504460	KEY 3/16 X 1-1/4	1
Not Shown	58606740	GAUGE, PRESS 0-160	1
Not Shown	50301880	O-RING 2-7/8 X2-1/2 X3/16	1

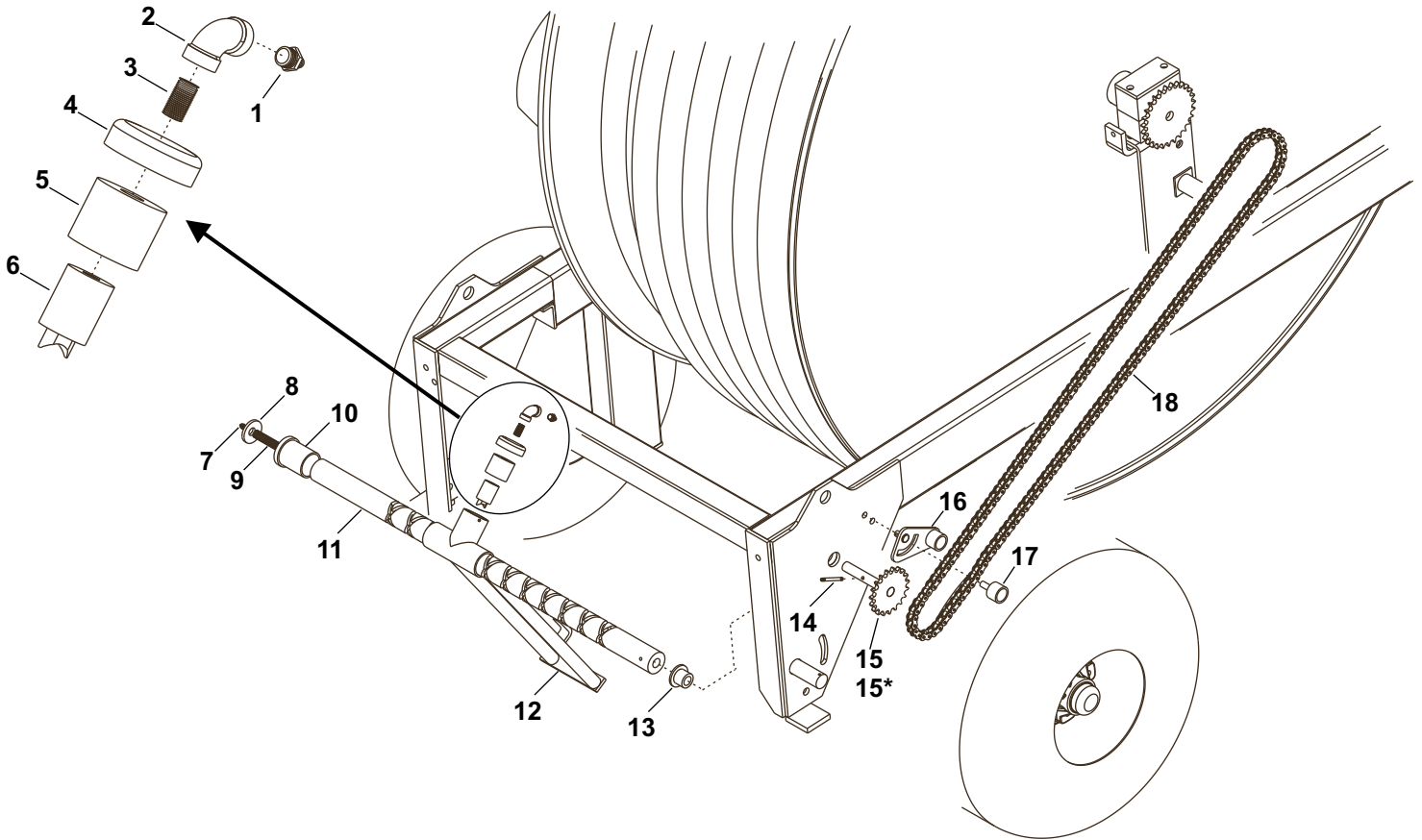


# Engine Drive Group cont.



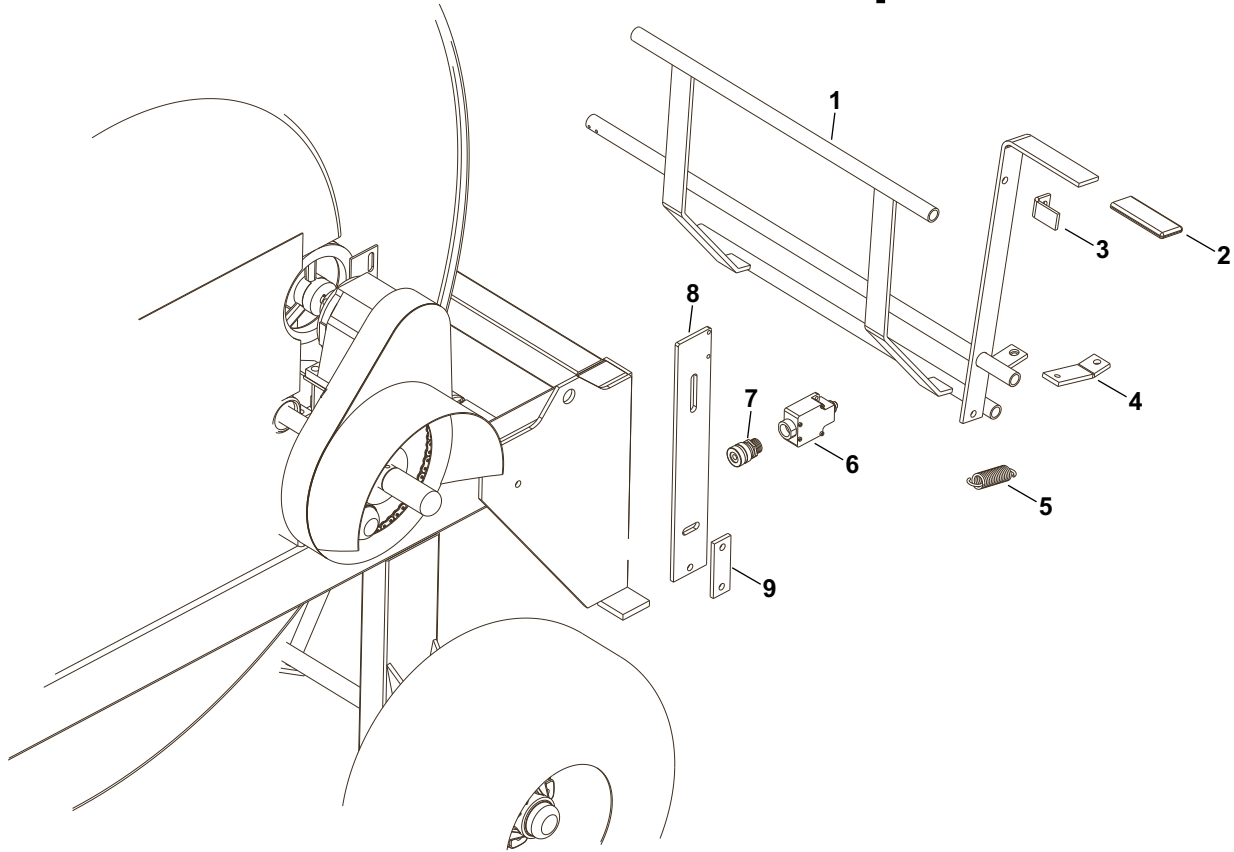
Item	Part Number	Description	Qty
17	58700401	BOLT,U SQ 3/8X2X2-5/8	2
18	50600230	ENGINE MT. E4/5 PCGY	1
19	58407017	ENGINE,HONDA 4HP KEYED SH	1
20	50601360	BOOM ENGINE DRIVE MACHINES PCGY	1

# Level Wind Group



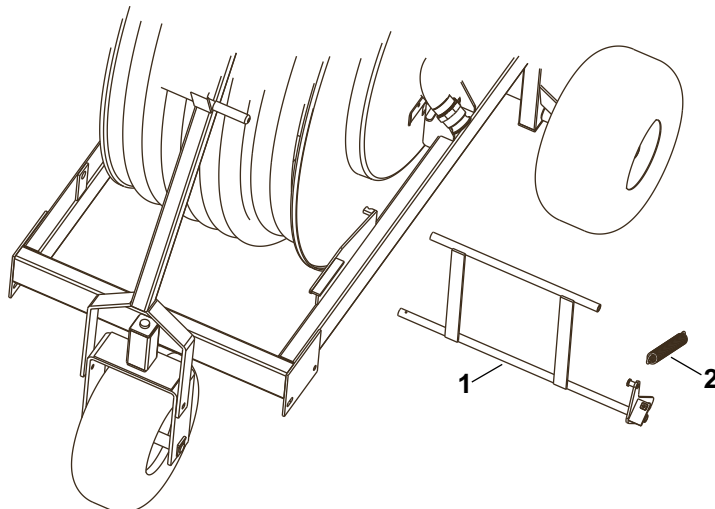
Item	Part Number	Description	Qty
1	53848441	ZERK,STRAIGHT 1/8NPT	1
2	52540345	ELBW,COMM GALV 1/8X90	1
3	52508981	NPPL,CLOSE BR 1/8	1
4	50303680	CAP, BLACK MOCAP 1.75" X 0.5" FE	1
5	50303350	SLEEVE,LEVELWIND KNIFE (UHMW)	1
6	50302320	KNIFE, LEVELWIND - WRB2C/3C/T4C/5C	1
7	53817440	ZERK,STRAIGHT1/4-28X17/32	1
8	50405220	WASHER, CUPPED PL	1
9	50500700	STUD, LEVELWIND GREASING	1
10	50501080	SLEEVE, LEVELWIND -WRT4C/5C	1
11	50303384	SCREW,STEEL LVLWND-WRB3/T4/T5C 5/8"	1
12	50303661	FORK ASM, LEVELWIND - WRT4/5C PCGY	1
13	50302412	BSHNG,FLANGE .625IDX1X1.5 (UHMW)	1
14	50406100	STUD, LEVELWIND SHEAR - WRB2/3/4/5C	1
15	50405263	SHAFT ASM, LEVELWIND 19T - (E200LST)	1
15*	50405262	SHAFT ASM, LEVELWIND 17T - (E210ST)	1
16	50405820	IDLER, WRT4/5C LEVELWIND CHAIN PL	1
17	50405830	IDLER,BOLT WRT4/5C LEVELWIND PL	1
18	50405910	CHAIN, #40 166 ROLLERS	1

# Shut Down Group



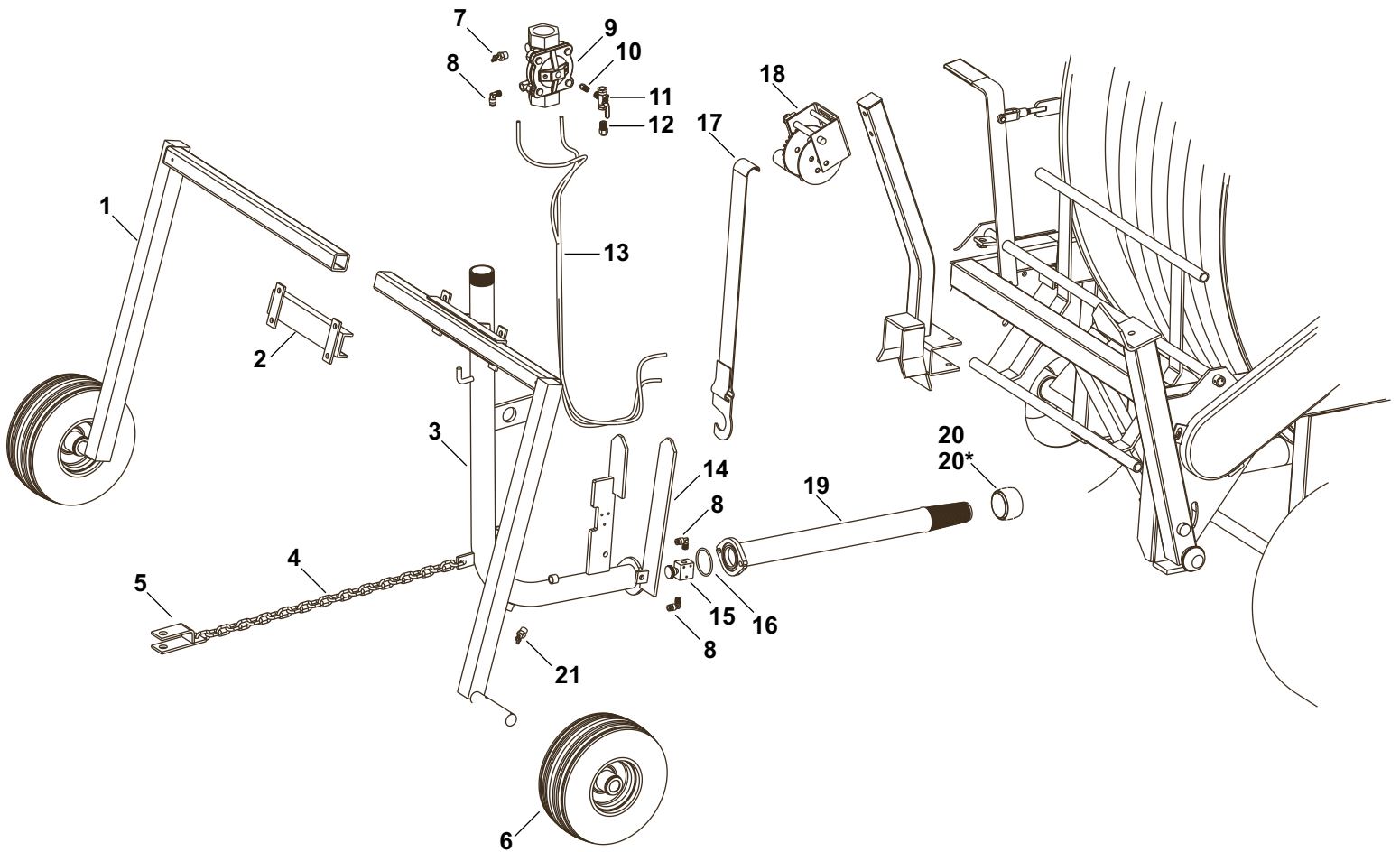
Item	Part Number	Description	Qty
1	50402120	SHUT OFF BAR WRT4/5C PCGY	1
2	50403160	CAP, BLACK MOCAP 1-1/2"X1/4"X4.0"	1
3	50600570	SWITCH STOP E4/5 PCGY	1
4	50601280	SHUT OFF BAR STOP PCGY	1
5	45048583	SPRING TNSN 7/8X3.62X5/8	1
6	52662151	SWITCH 6 X 613	1
7	52662170	GROMMET,COMPRSSN 1/2 NPT	1
8	50600560	SWITCH MT. E4/5 PCGY	1
9	50601500	STRAP, CLAMP SHUT OFF ARM PCGY	1

# Tube Rider



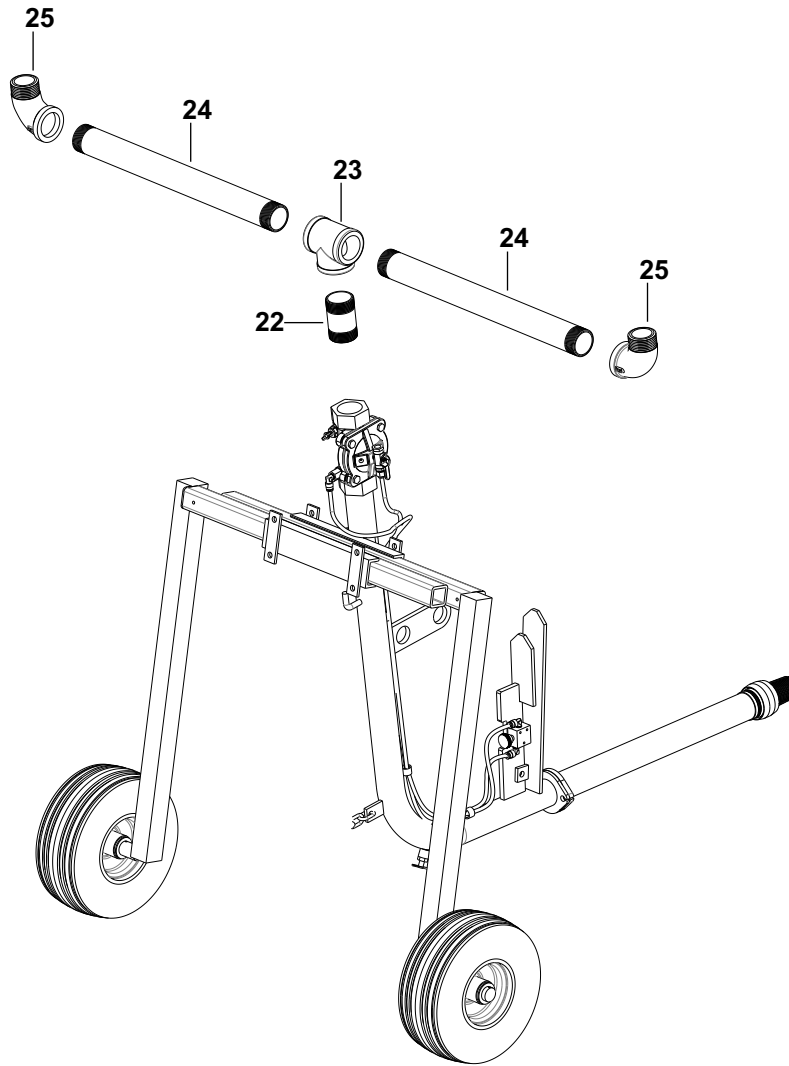
Item	Part Number	Description	Qty
1	50303983	TUBE RIDER ASM - WRT4C/5C PCGY	1
2	50308800	SPRING, TEN 10"X1.25OD	1

# Gun Cart Group



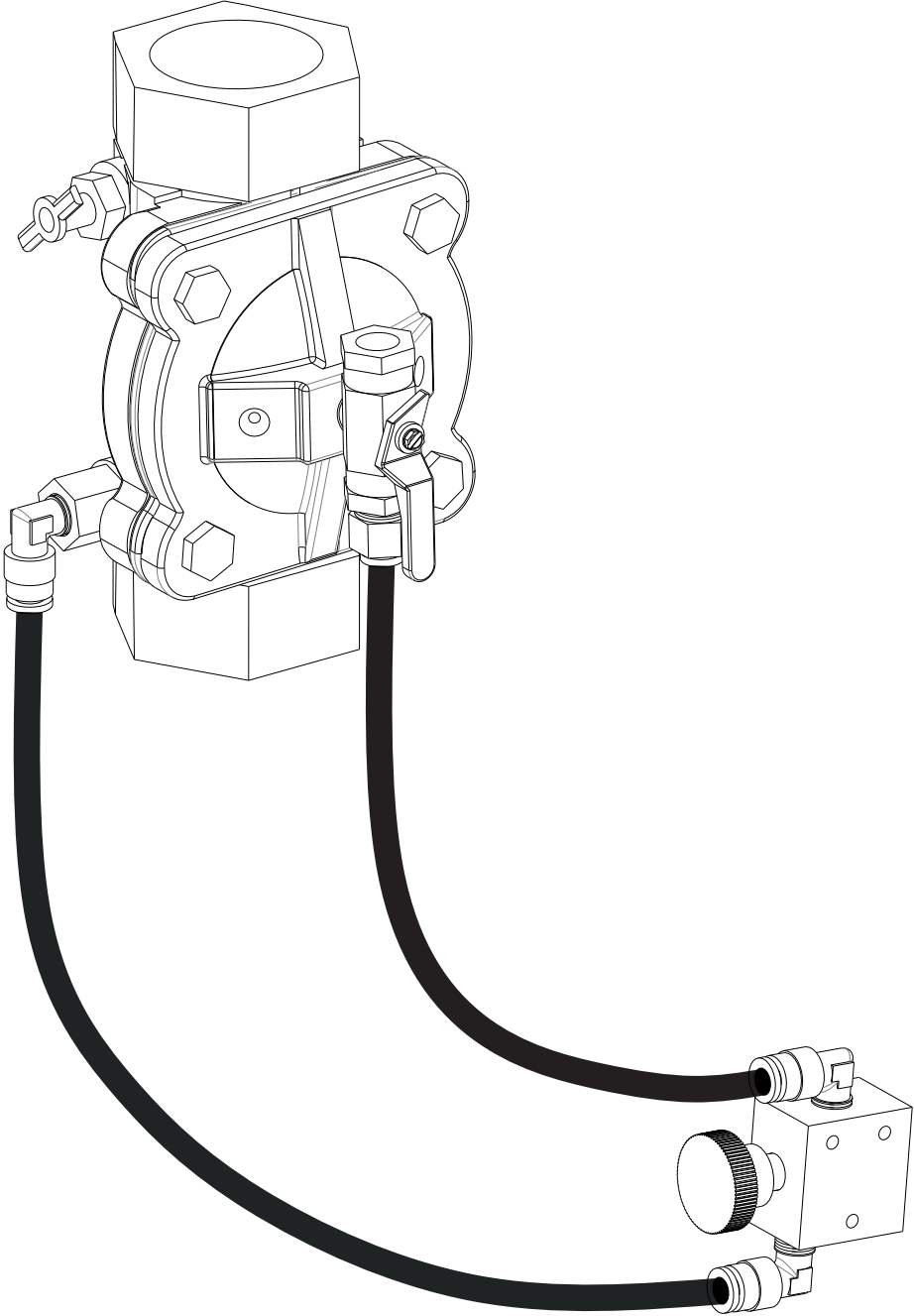
Item	Part Number	Description	Qty
1	58609994	LEG ASM, HIGH GUNCART PCGY	2
2	58700830	CLAMP PCGY	1
3	50300461	BODY ASM, HIGH CART-T4/T5C PCGY	1
4	85040590	CHAIN,3/16PROOF COIL PLTP	4 ft.
5	59602330	CLEVIS,PULL CHAIN PL	1
6	58608110	WHEEL&TIRE,4:1X3:5X4 1B2P	2
7	52532160	PETCOCK,DRAIN BR 1/4	1
8	52549150	FTG,TB 90 1/8MNPTX1/4TUBE	3
9	50406610	VALVE, DIAPHRAGM 1-1/2" NPT	1
10	52547842	BSHNG, RDCNG BR 1/4X1/8	1
11	50501160	VALVE, 3 WAY 1/4"	1
12	52549172	FTG,TB ST 1/4MNPTX1/4TUBE	1
13	25249390	TUBE,SYNFLEX 1/4	(2) 4.5 Ft.
14	50308301	BUMPER, CART SHUT OFF -T4/5C PCGY	1
15	42548450	VALVE,MA33 NKL-ALM SPOOL	1
16	50006790	O-RING 1.984" ID X .139 #226	1
17	50402630	STRAP ASM, CART LIFT - WRT4C/5C	1
18	40048553	WINCH,FULTON T-900	1
19	50400421	TUBE END ASM, 200/210 - WRT4/5 PCGY	1
20	59100614	MENDER OUTER 2.0 PLATED (E200LST)	1
20*	50007890	SLEEVE OUTER 2.1" (E210ST)	1
21	5502621	PLUG, BRASS 1/4	1

# Gun Cart Group Cont.

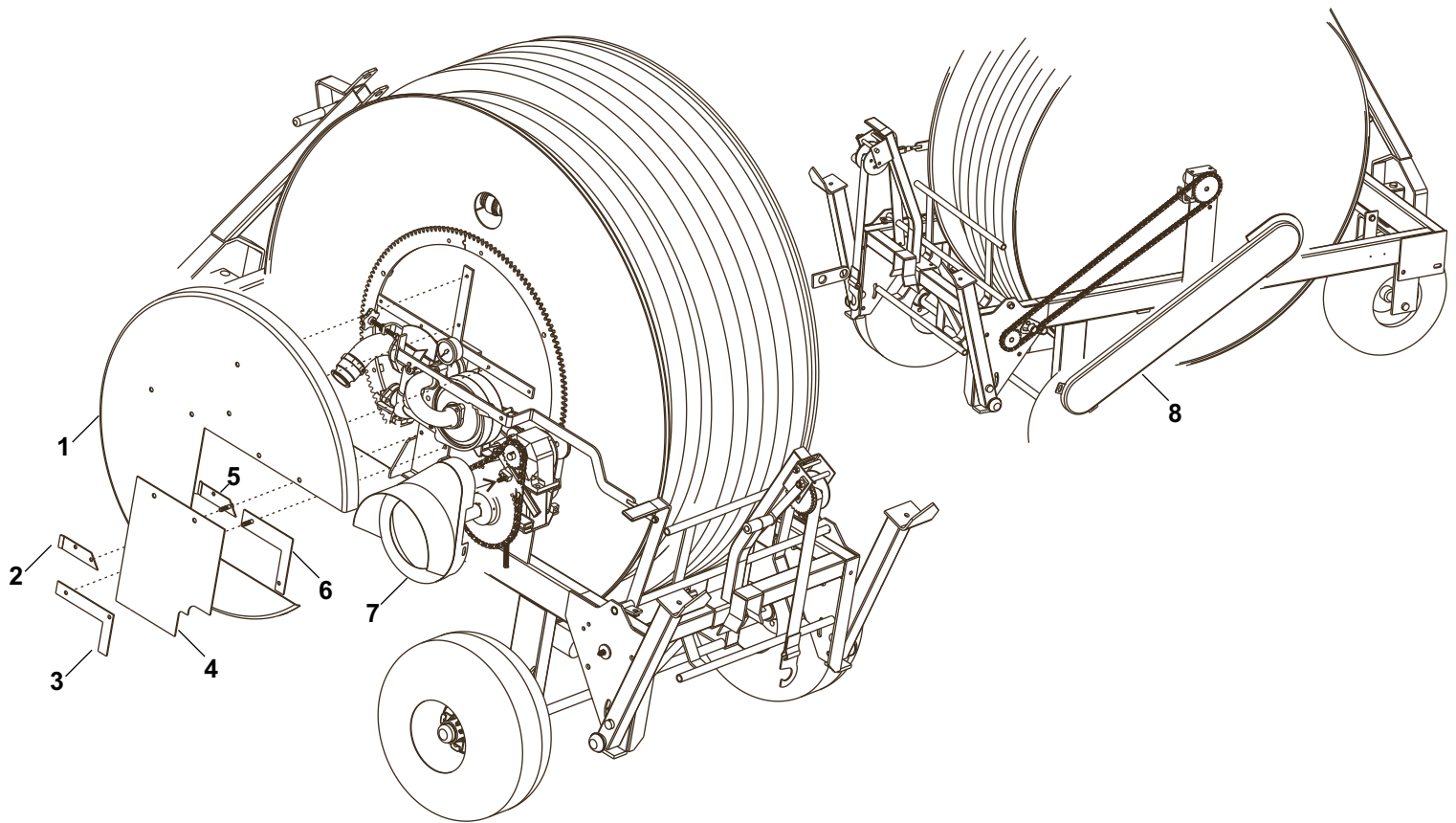


Item	Part Number	Description	Qty
22	58504060	NIPPLE, GLV 1-1/2 X 3	1
23	59404221	TEE, GLV 1-1/2 X 1-1/2 X 1-1/2	1
24	50601290	NIPPLE, GALV. 1-1/2 X 19.0" LONG	2
25	52652740	ELBW, STRT GLV 1-1/2 X 90	2

# Gun Cart Valve Plumbing Circuit

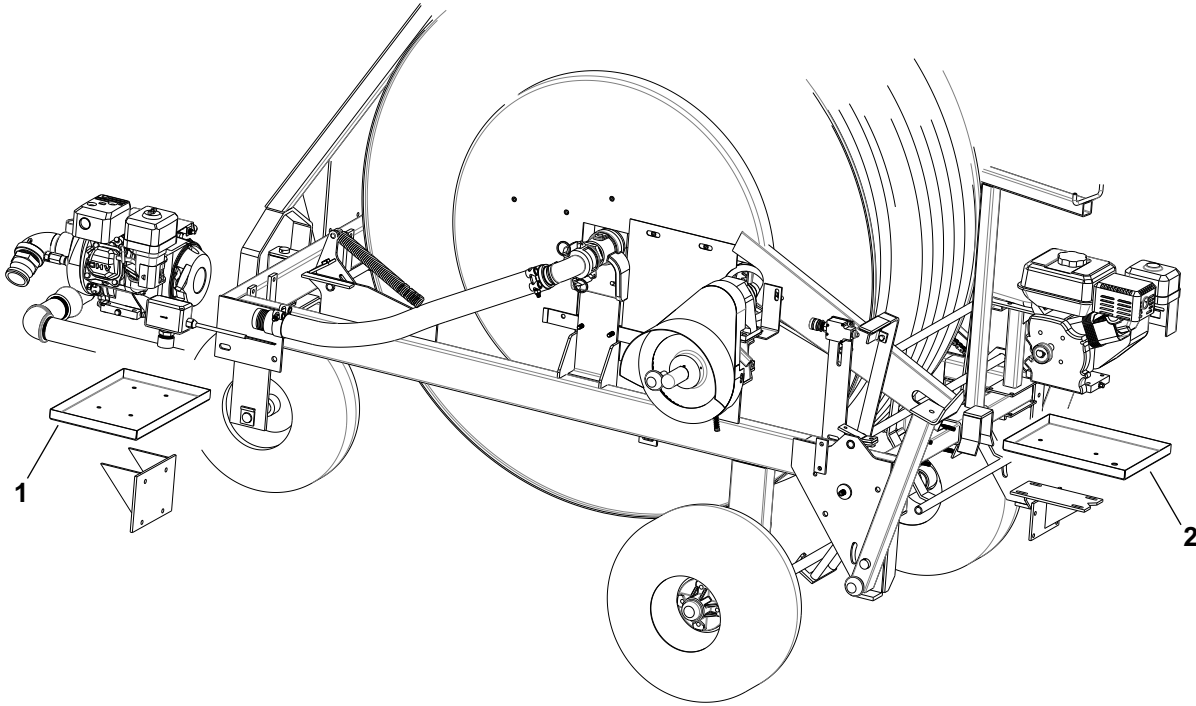


# Guard Group



Item	Part Number	Description	Qty
1	50601300	GUARD,UPPER RING GEAR TURBINE/ENGIN	1
2	50601020	SHIELD GUIDE REAR T/E4/5 PCGY	1
3	50601041	SHIELD BRKT FRONT T/E4-5 PCGY	1
4	50601311	GUARD,LOWER RING GEAR ENGINE	1
5	50601030	SHIELD GUIDE PCGY	1
6	50601061	SHIELD BRKT FRONT T/E4-5, PCGY	1
7	50400741	GUARD, POWERTRAIN CHAIN-T4/5C PCGY	1
8	50308981	GUARD ASM, LEVELWIND CHAIN - WRT5C	1

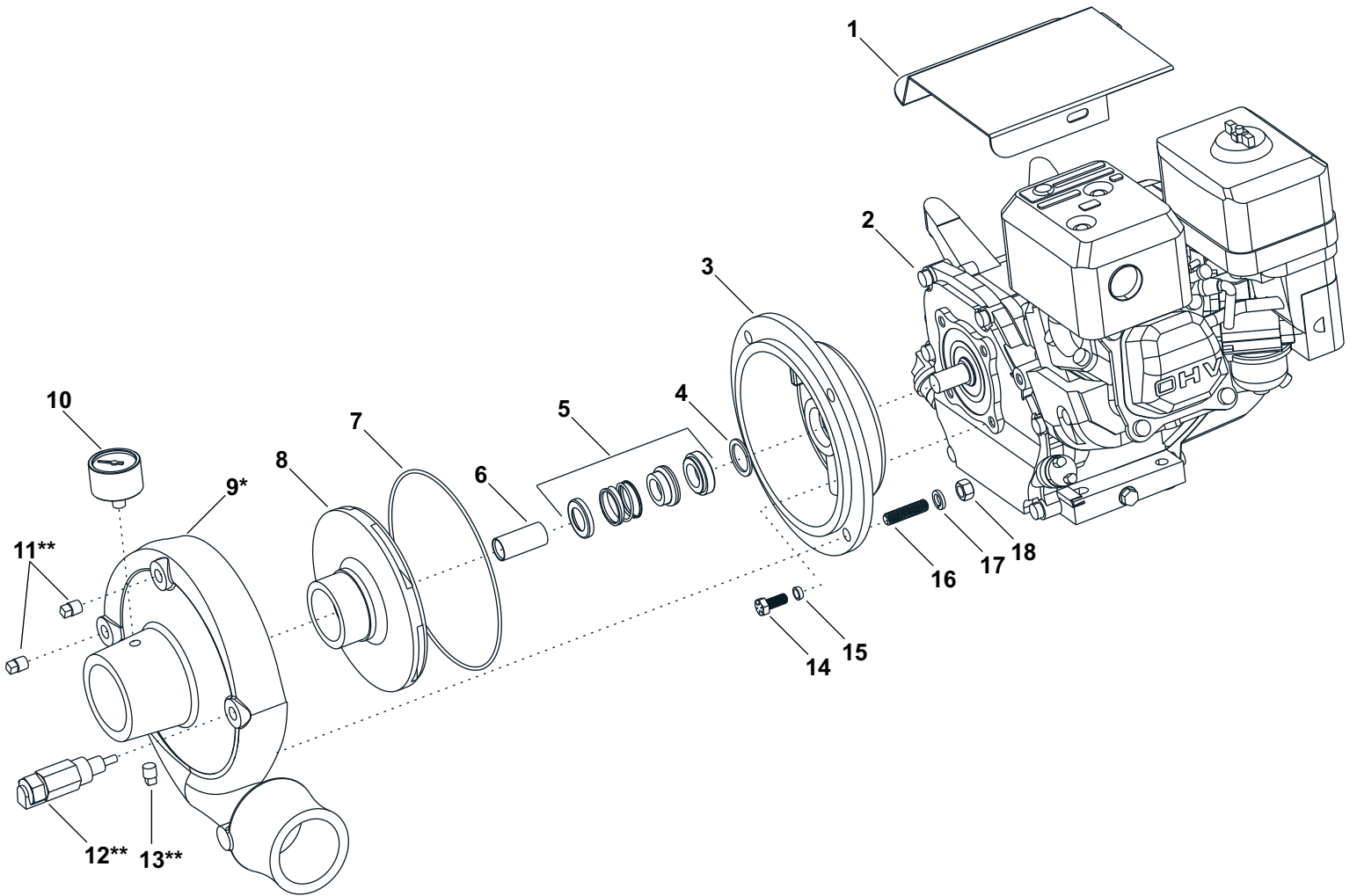
# Drip Pans



Item	Part Number	Description	Qty
1	50800420	BOOSTER PUMP DRIP PAN, PCGY	1
2	50800430	DRIVE ENGINE DRIP PAN, PCGY	1

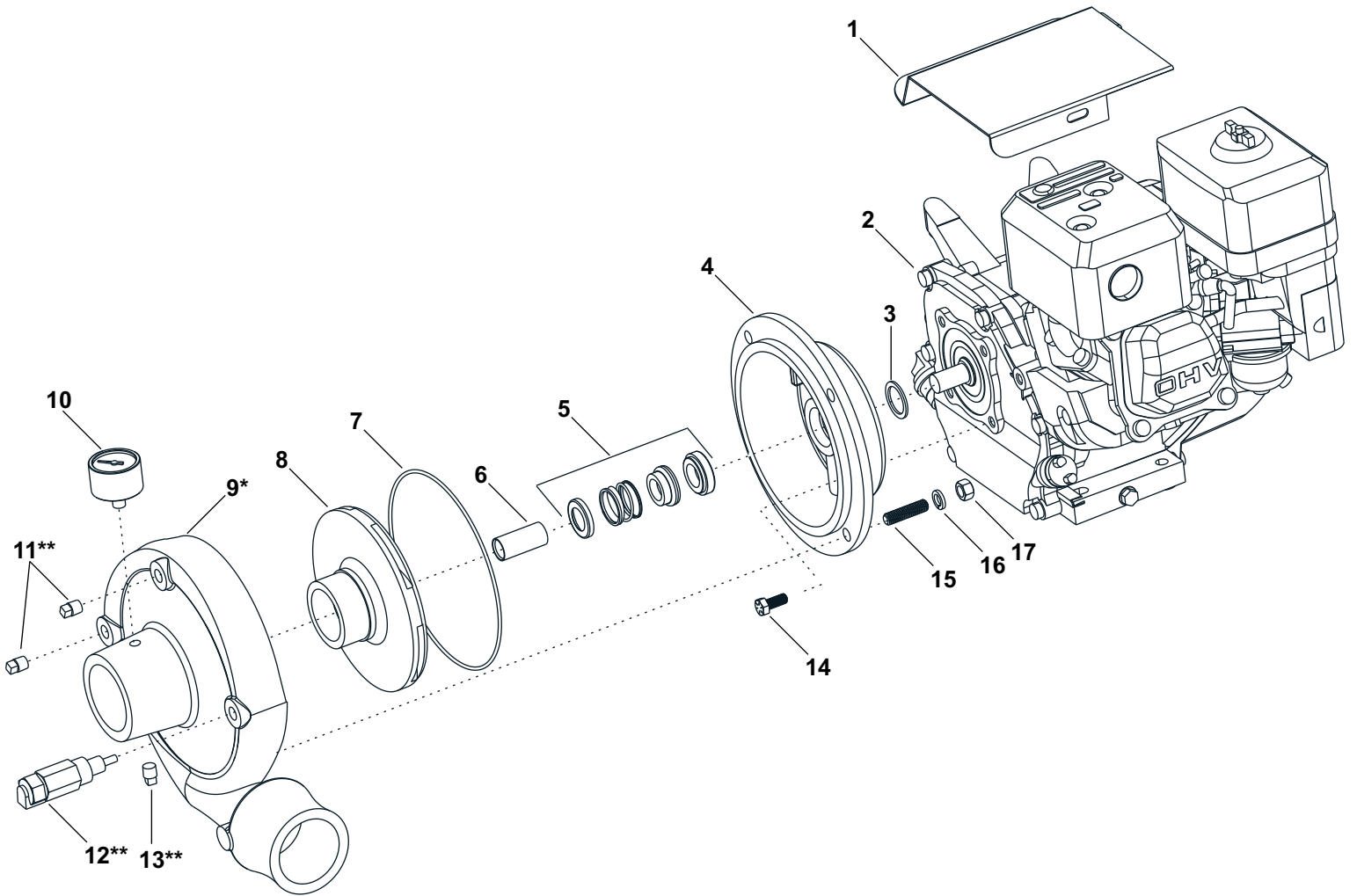


# 5.5 HP Booster Pump



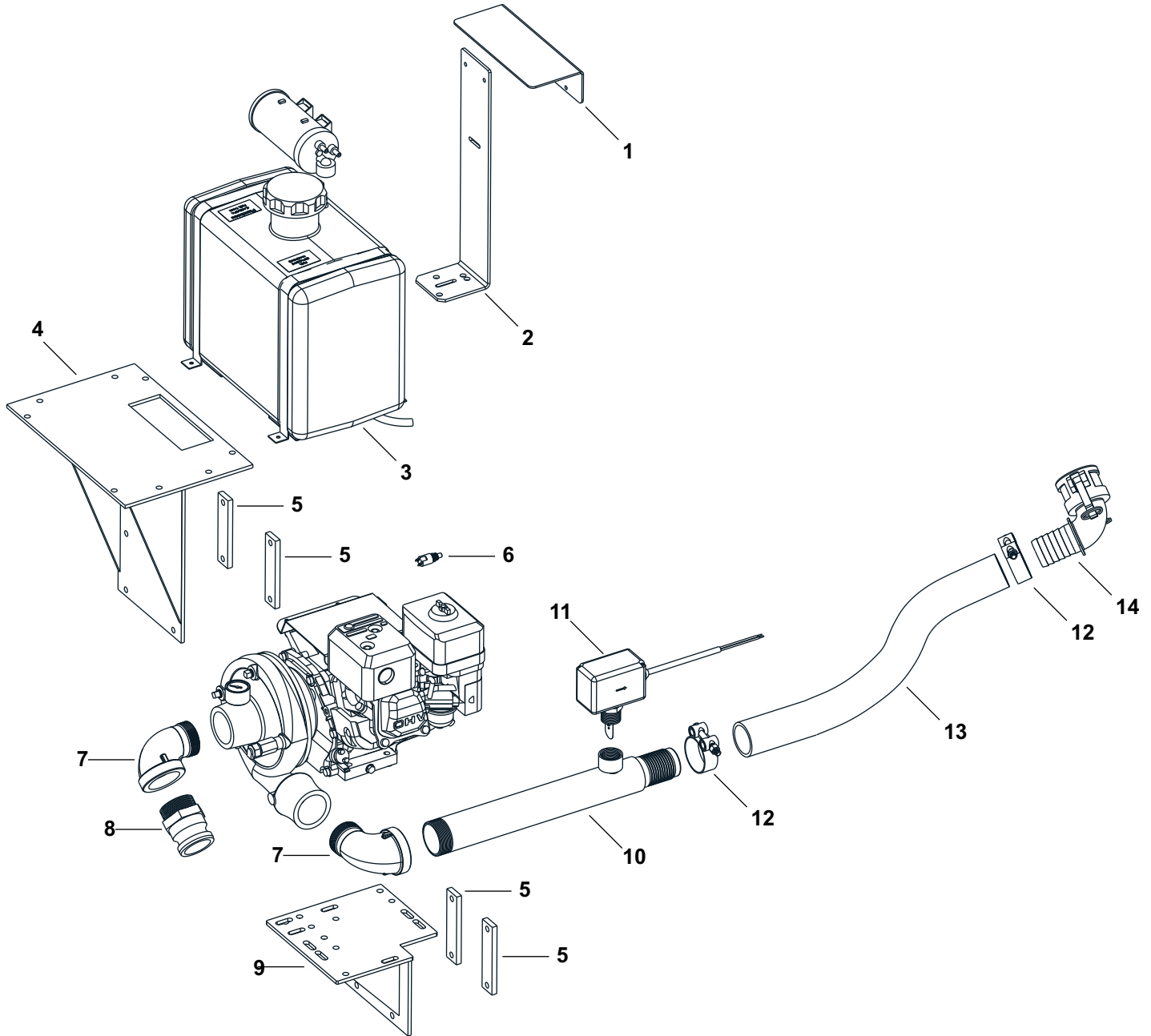
Item	Part Number	Description	Qty
1	59701661	ENGINE COVER HONDA6.5&5.5 , PCGY	1
2	59402560	ENG,HONDA 5.5 THREADED PUMP SHAFT	1
3	59402600	ADPTR	1
4	59402500	SLINGER 1-1/4X3/4X1-1/16 - 5.5HP	1
5	59402530	SEAL,MECHANICAL3/4"MNRCH	1
6	59504170	SLEEVE,3/4X1.6" 5.5HP	1
7	59402520	O-RING PARKER2-165 M PUMP	1
8	59504160	IMPELLER, 6.1X5/8 5.5HP	1
9*	59402570	CASING, 1-1/2&2X2 PUMP - (includes items 11,12 & 13)	1
10	58606742	GAUGE,PRESS 0-160REAR MT	1
11**	52502621	PLUG, BR 1/4	2
12**	59506690	VALVE,MODIFIED 1/4" THERMO	1
13**	52538671	PLUG, BR 1/8	1
14		Bolt, 5/16"X3/4" UNF	4
15	59600010	LOCK SEAL WASHER 5/16"ID (PKG OF 4)	1
16		STUD, 3/8UNC X 1-1/2"	4
17		WASHER, LOCK 3/8"	4
18		NUT, 3/8" UNC	4
NOT SHOWN	58504050	BSHNG,RDCNG GLV 2X1-1/2	1

# 9 HP Booster Pump



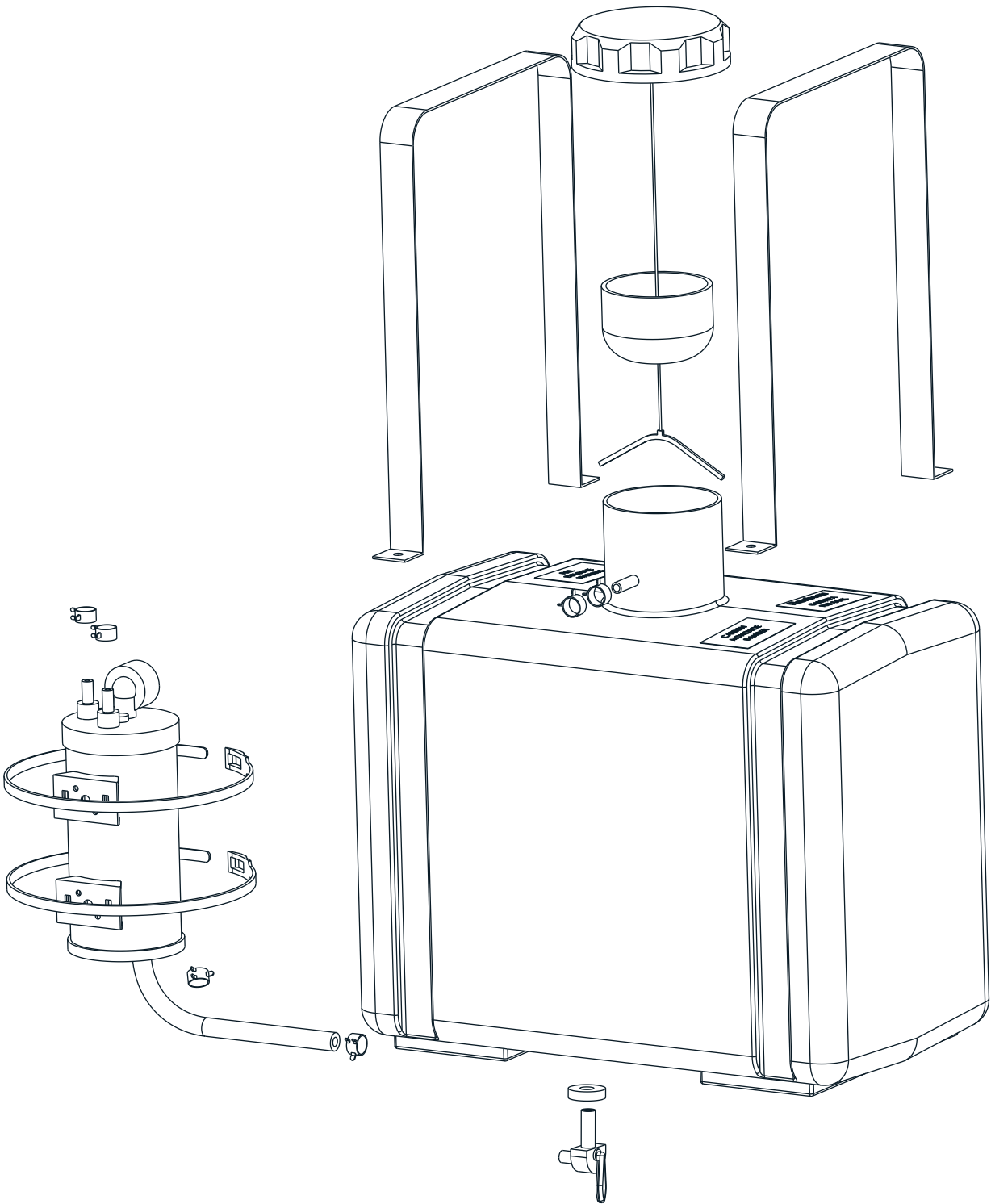
Item	Part Number	Description	Qty
1	59701660	ENGINE COVER 9 HP HONDA PCGY	1
2	50702190	ENGINE, HONDA 9HP W/PUMP SHAFT	1
3	59402501	SLINGER, 8-1/2 AND 9 HP PUMPS	1
4	59402601	ADPTR, FOR 8.5 HP	1
5	59402531	SEAL,MECHANICAL 1-1/4"	1
6	59504171	SLEEVE,1-1/4 X 2.1" 8-1/2/9HP	1
7	59402520	O-RING PARKER2-165 M PUMP	1
8	59504161	IMPELLER, 6.4 X 1" 8.5HP	1
9*	59402570	CASING, 1-1/2&2X2 PUMP - (includes items 11, 12 & 13)	1
10	58606742	GAUGE,PRESS 0-160REAR MT	1
11**	52502621	PLUG, BR 1/4	2
12**	59506690	VALVE,MODIFIED 1/4" THERMO	1
13**	52538671	PLUG, BR 1/8	1
14		BOLT, 5/16"X3/4" UNF	4
15		STUD, 3/8UNC X 1-1/2"	4
16		WASHER, LOCK 3/8"	4
17		NUT, 3/8" UNC	4
NOT SHOWN	58504050	BSHNG,RDCNG GLV 2X1-1/2	1

# Booster Pump Components



Item	Part Number	Description	Qty
1	51300051	SHIELD, CANISTER 6 GAL EPA, PCGY	1
2	51300031	MOUNT, CANISTER 6GAL EPA, UNCOATED	1
3		<b>Tank component parts list on page 20</b>	
4	50308190	TANK MT. B130C, WRB3C, WRT4/5C	1
5	50400390	STRAP, CLAMP BOOSTER, PCGY	4
6	59404231	SWITCH, OVERRIDE NRML CLSD	1
7	58408410	ELBW, STRT GLV 2X90DEG	2
8	58608031	CMLK, F MA2X2MNPT	1
9	50900130	BOOSTER PUMP ENG MT, 5/9HP C-SERIES	1
10	51601890	WRT4/5C FLOW SWITCH FITTING PL	1
11	51601950	DWYER FLOW SWITCH FS-2	1
12	03019160	SUPRA CLAMP 59MM-63MM	2
13	58401330	HOSE 2 ID 150 GY PLICORD	2-1/2 FT.
14	58608026	CL CAMLOCK 90 DEGREE 2.0	1
15	59903250	<b>*NOT SHOWN*</b> CONNECTOR Y 2FEMALE 1MALE	1

# Fuel Tank & Components



Item	Part Number	Description	Qty
1	51201000	TANK, GAS 6 GALLON CARB/EPA KIT	1
<b>ALL ITEMS SHOWN INCLUDED</b>			

# Notes