

PARTS MANUAL

Models AV-STC

Serial Number 580,000 +

700 South Schrader Avenue
P.O. Box 290
Havana, IL 62644
Phone (309)543-4425

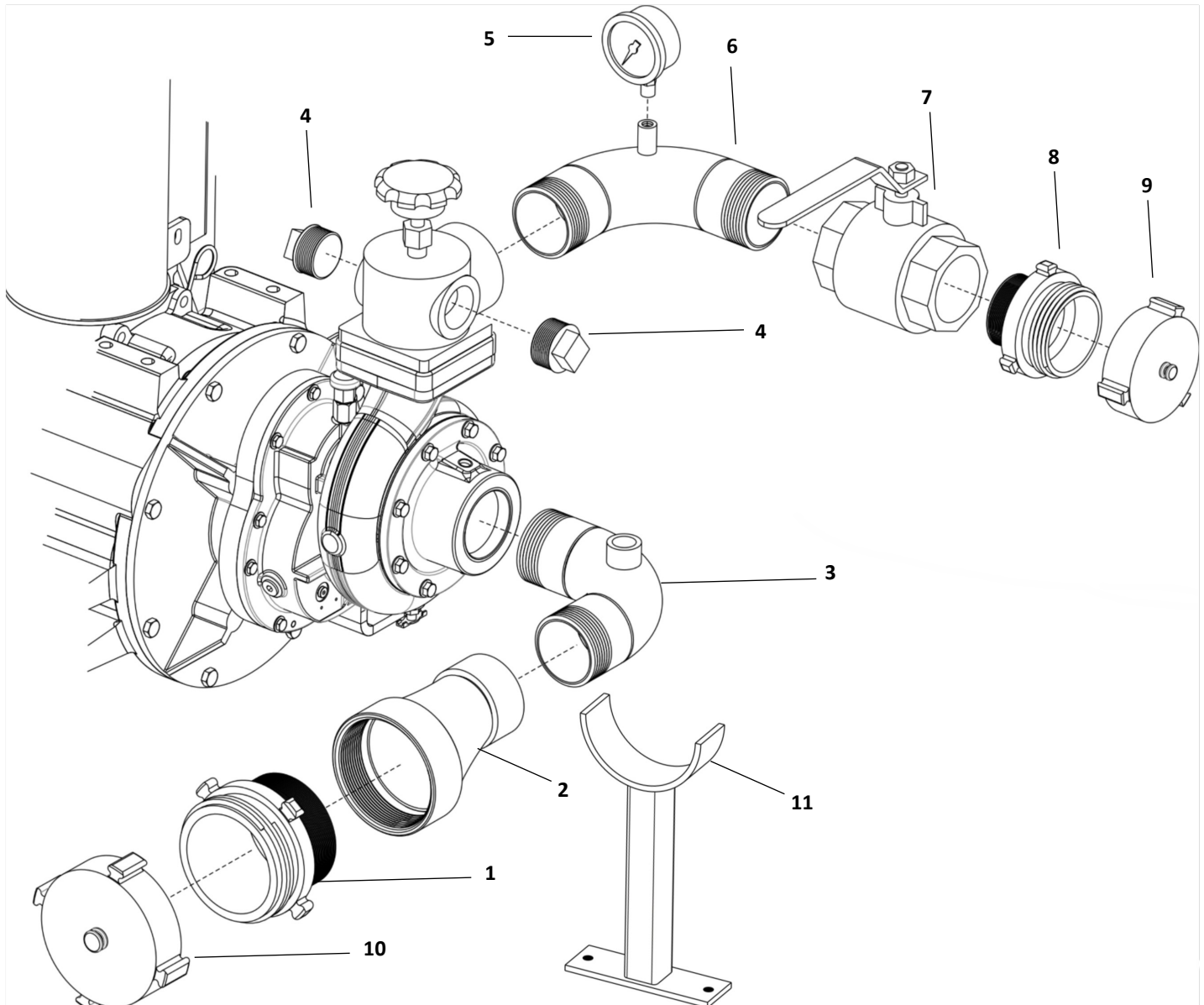
193-0264-1

Table of Contents

Pump Fittings—Suction & Discharge	3
Pump Control Panel	4
Injection Pump & Fittings—Suction & Discharge	5
Injection Pump Tank & Suction Hose Assembly	6
Primer	7
Control Panel Components	8
Suction Hose Wand Assembly	9
Fuel System & Oil Filter Mount	10
Sanitation Tank	11
Hose Winder Assembly	12
Supply Hose Rack Accessories	13
Valve & Hose Washer Rack	14
Holding Tank Rack	15
Wiring Diagram (Electrical Panel)	16
Injection Pump Wiring Diagram	17
Sanitation Tank Wiring Diagram	18
Control Panel Lead Wiring Diagram	19
Components & Accessories	20

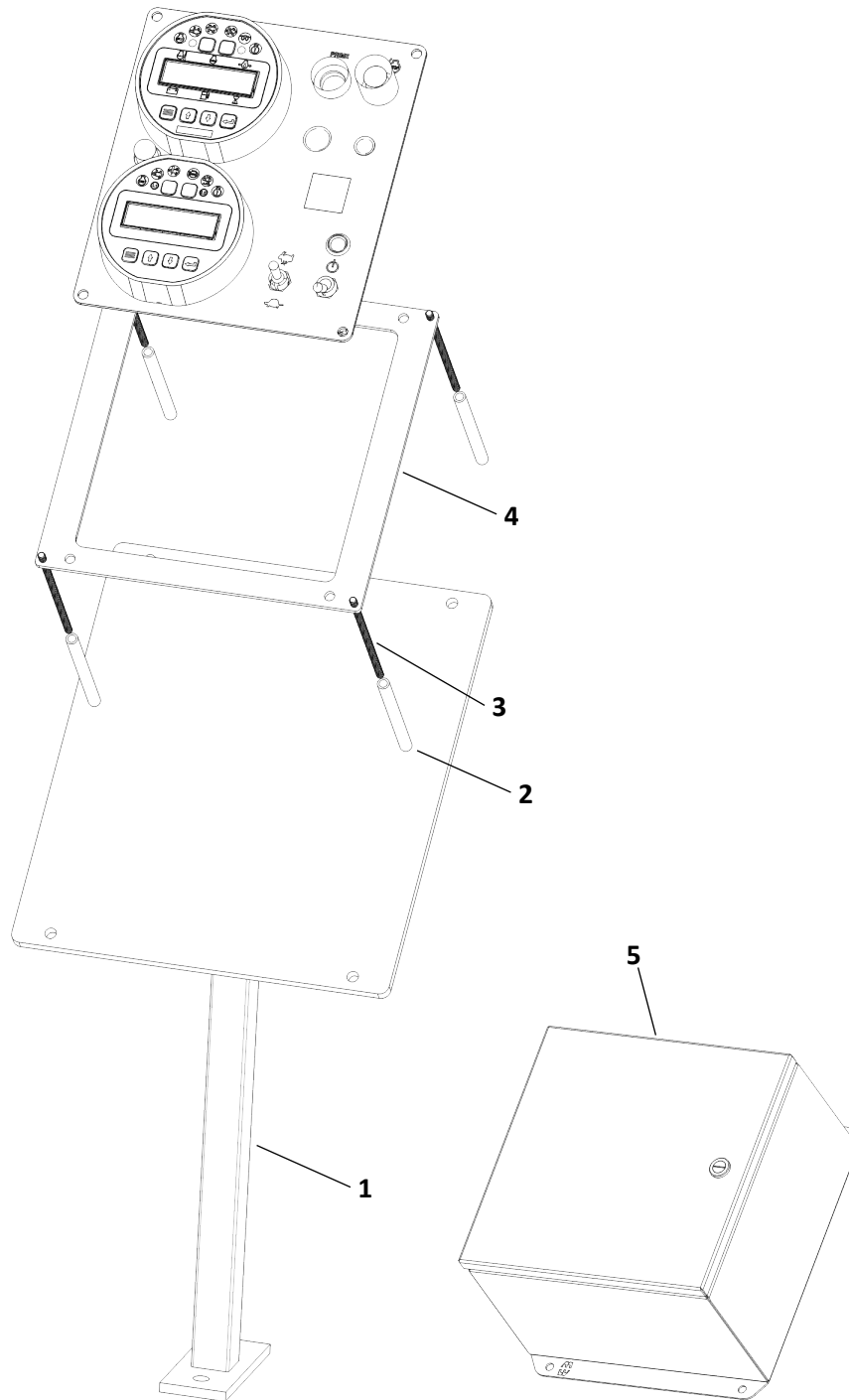
Note: Items such as common fasteners, grease fittings & other small parts that are easily acquired at a local hardware shop are not listed.

Pump Fittings—Suction & Discharge



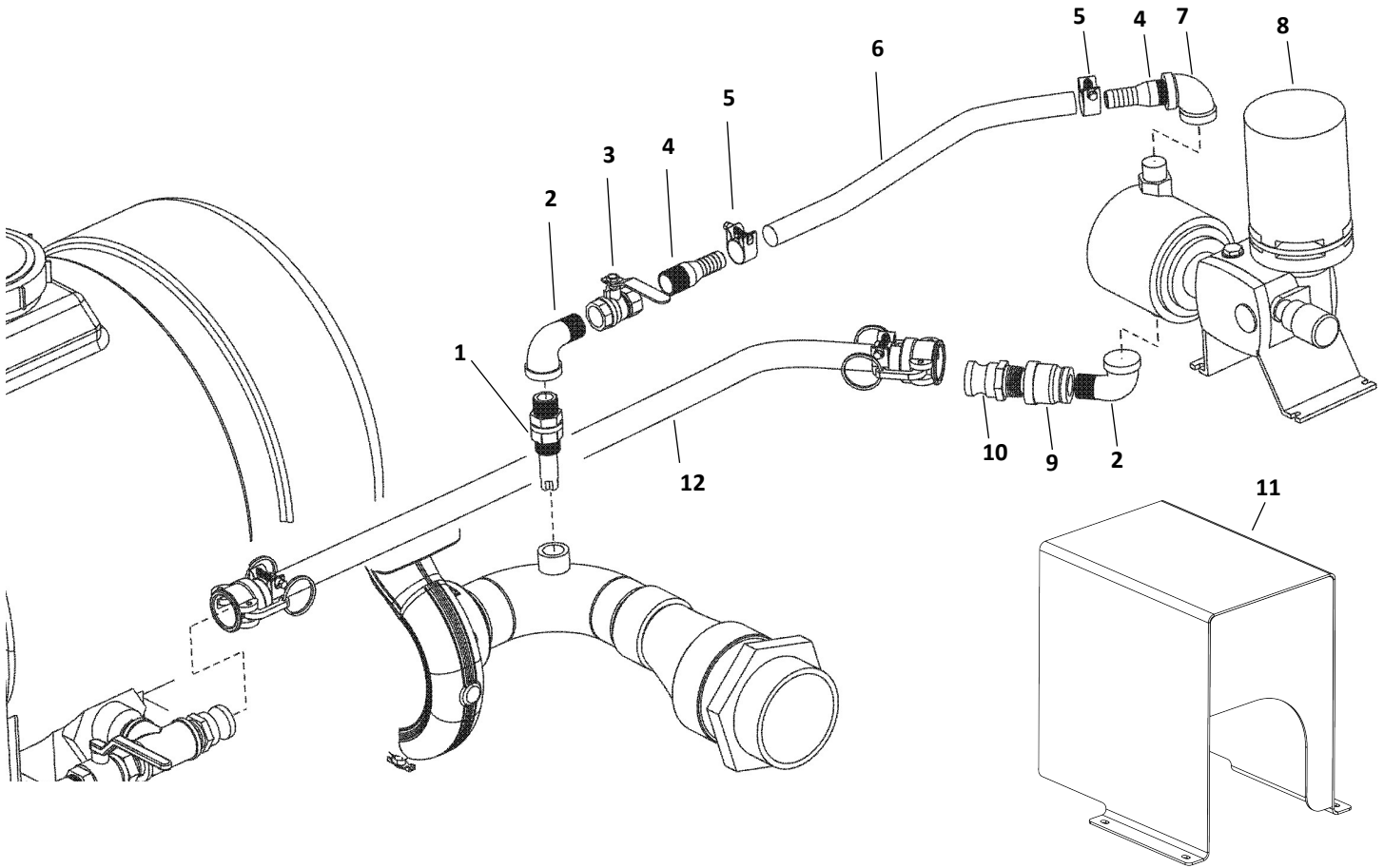
Item	Part No.	Description	Qty.
1	51600270	ADPT 4" NPT X 4" MALE NST (FIRE)	1
2	51600150	FTNG, RDCNG 4 FML, 2.5 FML	1
3	51600140	SUCTION FTNG, AV-STC	1
4	52532150	PLUG, GLV 1-1/2	2
5	58606750	GAUGE, PRESS 0-160	1
6	51600160	ELBW, DISCHARGE, AV-STC	1
7	50602590	VALVE, BALL 2-1/2"	1
8	51600260	ADPT 2-1/2 MNPT X 2 1/2 MALE NST	1
9	51600291	CAP, 2 1/2" NST ALUM	1
10	51600290	CAP, 4" NST ALUM	1
11	51601410	BRACE, SUCTION FITTING, AV-STC	1

Pump Control Panel



Item	Part No.	Description	Qty.
1	52002110	MNT, DARLEY 48HP PUMP CNTRL	1
2	52002140	SPACER CONTROL PANEL 48HP DARLEY	4
3	52002150	STUD FULL THREAD 10-23 4.25 LNG	4
4	52002130	CONTROL PANEL MNT PLATE DARLEY 48HP DIESEL	1
5	52002120	ENCLOSURE FOR PANEL_DARLEY 48HP DIESEL	1
Not Shown	55170040	NUT, ACORN 10-32	4

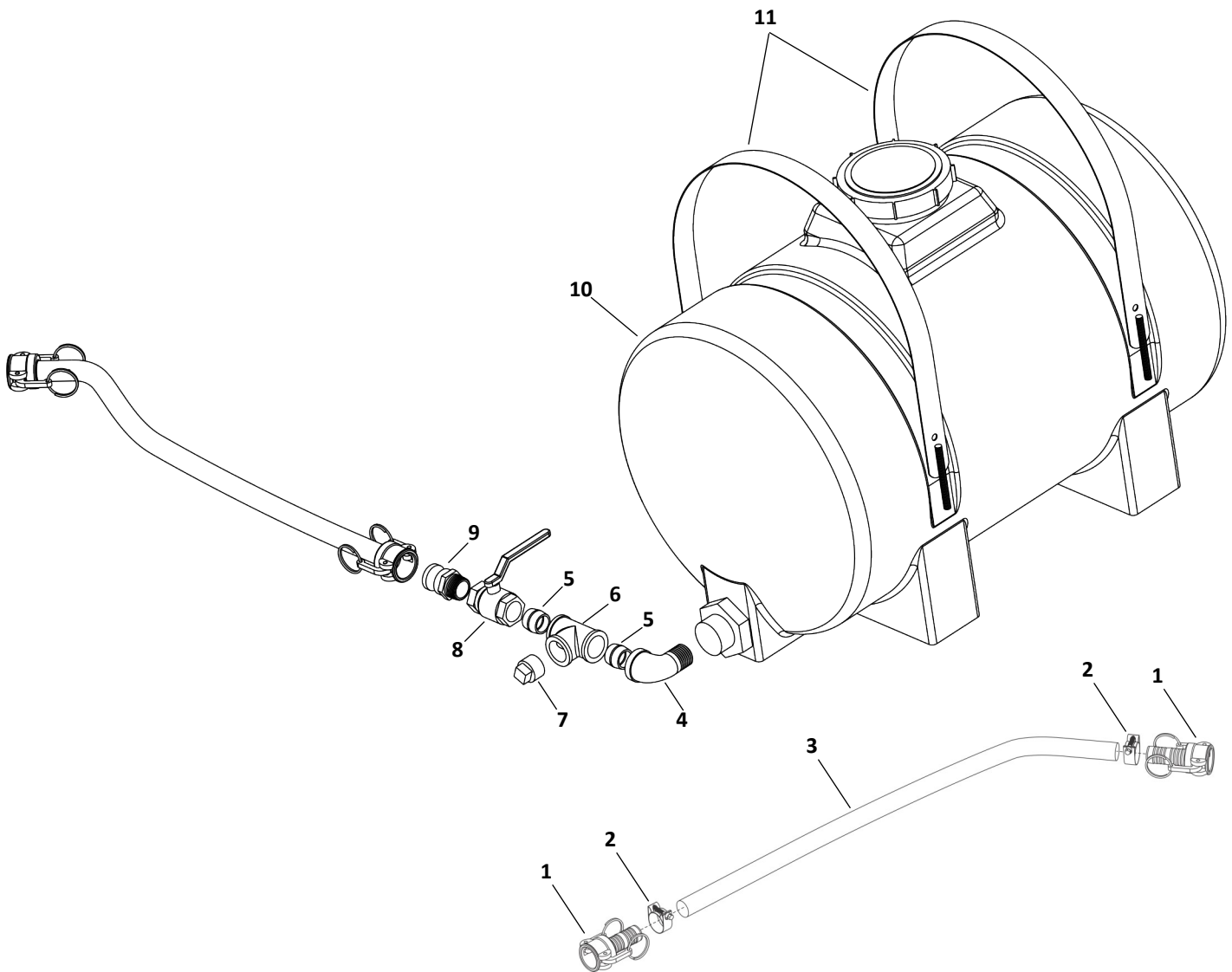
Injection Pump & Fittings—Suction & Discharge



Item	Part No.	Description	Qty.
1	50700070	STINGER, INJECTION PUMP	1
2	52501551	ELBW,STRT GLV 3/4X90DEG	2
3	58607122	VALVE,BALL 3/4"	1
4	58608063	NPPL,KING 3/4" PLTD	2
5	03019055	SUPRA CLAMP 25MM-27MM	2
6	59401660	HOSE,VINYL CLR RNFRCD 3/4	1.2 ft
7	52501730	ELBW,CMMN GLV 3/4 90DEG	1
8	50601770	INJECTION PUMP FOAM MASTER	1
9	52511801	CPLNG,RDCNG GLV 1X3/4	1
10	58607630	CMLK,F MA 1X1 MNPT	1
11	51600520	COVER, INJECTION PUMP, PCB	1
12**	51600340	HOSE, SUCTION 1" W/FEMALE CMLKS	1

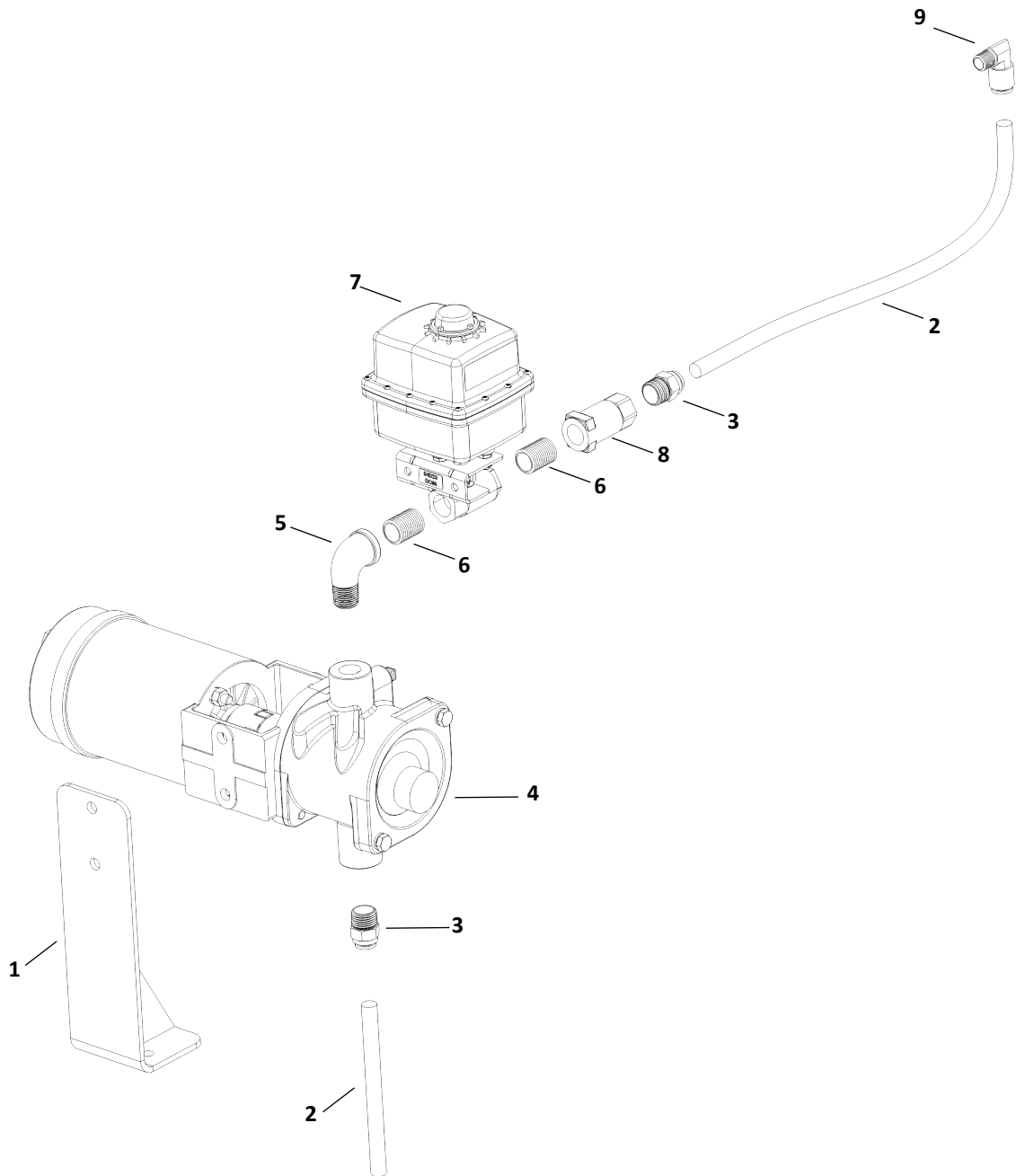
See next page for individual parts of assembly

Injection Pump Tank & Suction Hose Assembly



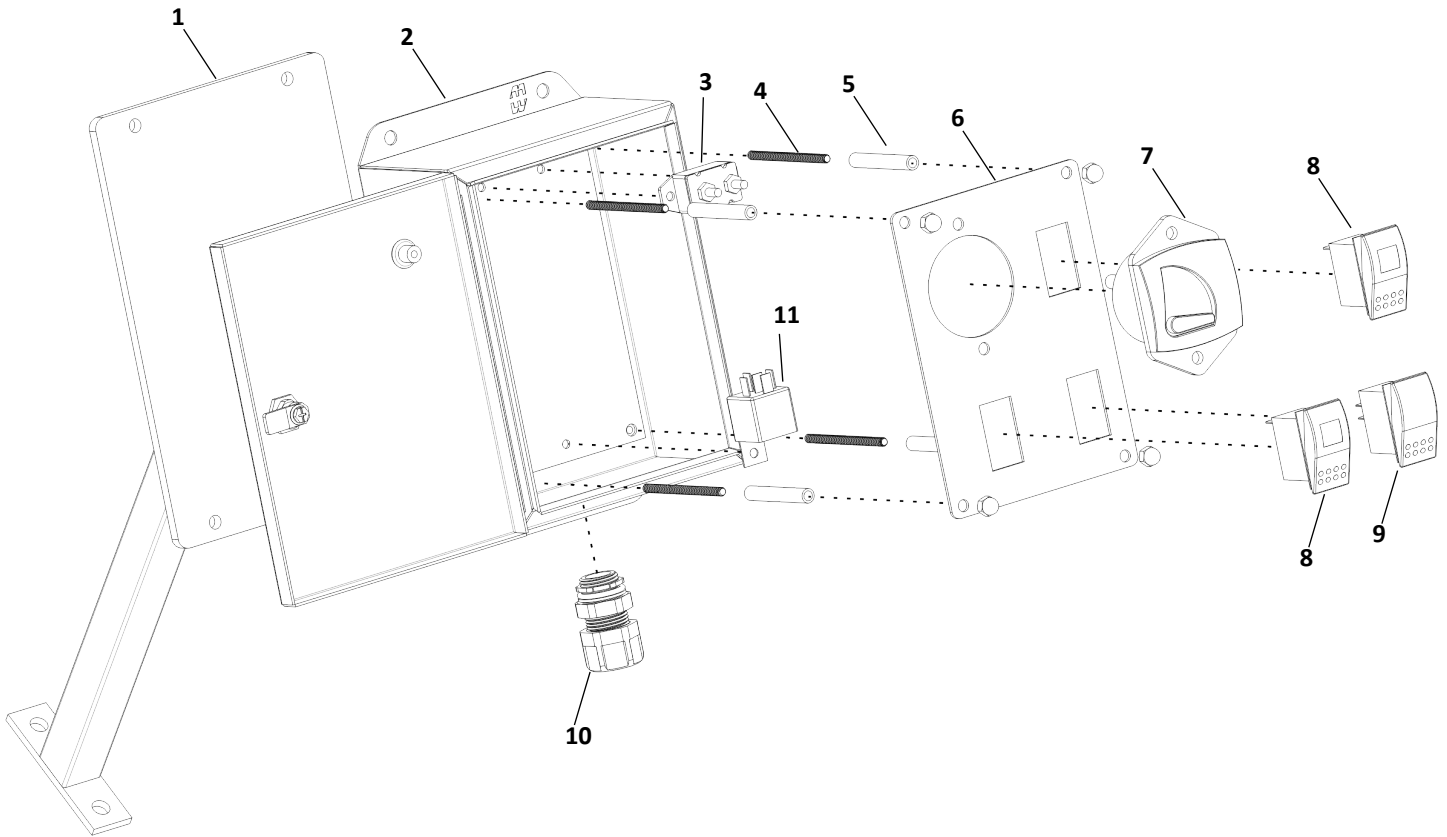
Item	Part No.	Description	Qty.
1	58607620	CMLK,C FE1X1BARB	2
2	03019080	SUPRA CLAMP 31MM-34MM	2
3	58607210	HOSE,SUCTION 1" TIGER FLEX	3 ft.
4	52549380	ELBW,STRT GLV 1X90DEG	1
5	52520041	NPPL,CLOSE GLV 1"	2
6	52502634	TEE, GALV. 1.0"	1
7	52510182	PLUG, GALV. 1.0"	1
8	58607120	VALVE,1" BALL CAMOZZI	1
9	58607630	CMLK,F MA 1X1 MNPT	1
10	50604661	TANK, 35 GAL PLASTIC	1
11	51600110	STRAP, FOR 35 GAL TANK	2

Primer



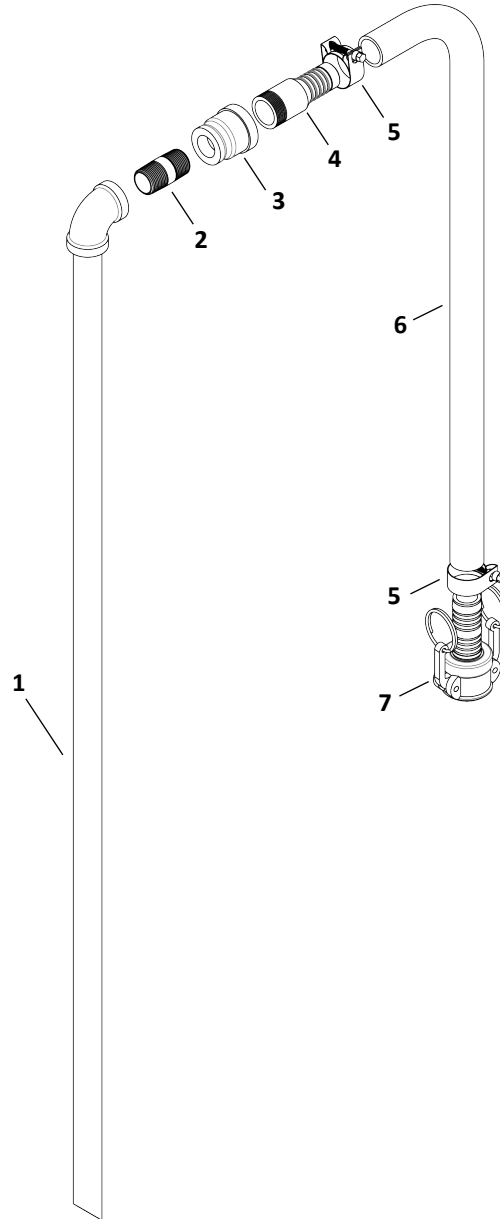
Item	Part No.	Description	Qty.
1	51600422	BRKT, PRIMER MNT WLDMNT	1
2	25249393	TUBE,SYNFLEX 1/2 OD	4 Ft.
3	51600430	FTG,TB ST 1/2MNPT X 1/2 TUBE	2
4	51600015	DARLEY 12 VOLT FLUIDLESS PRIMER	1
5	52513440	ELBW,STRT BIP 1/2X90DEG	1
6	52513936	NPPL,CLOSE GLV 1/2" SCHD.40	2
7	52002080	BALL VALVE & ACTUATOR AVIFOAM	1
8	52002090	BALL-CONE CHECK VALVE 1/2" AVIFOAM	1
9	52549158	FTG,TB 90 1/2MNPT SWIVEL X 1/2 TUBE	1

Control Panel Components



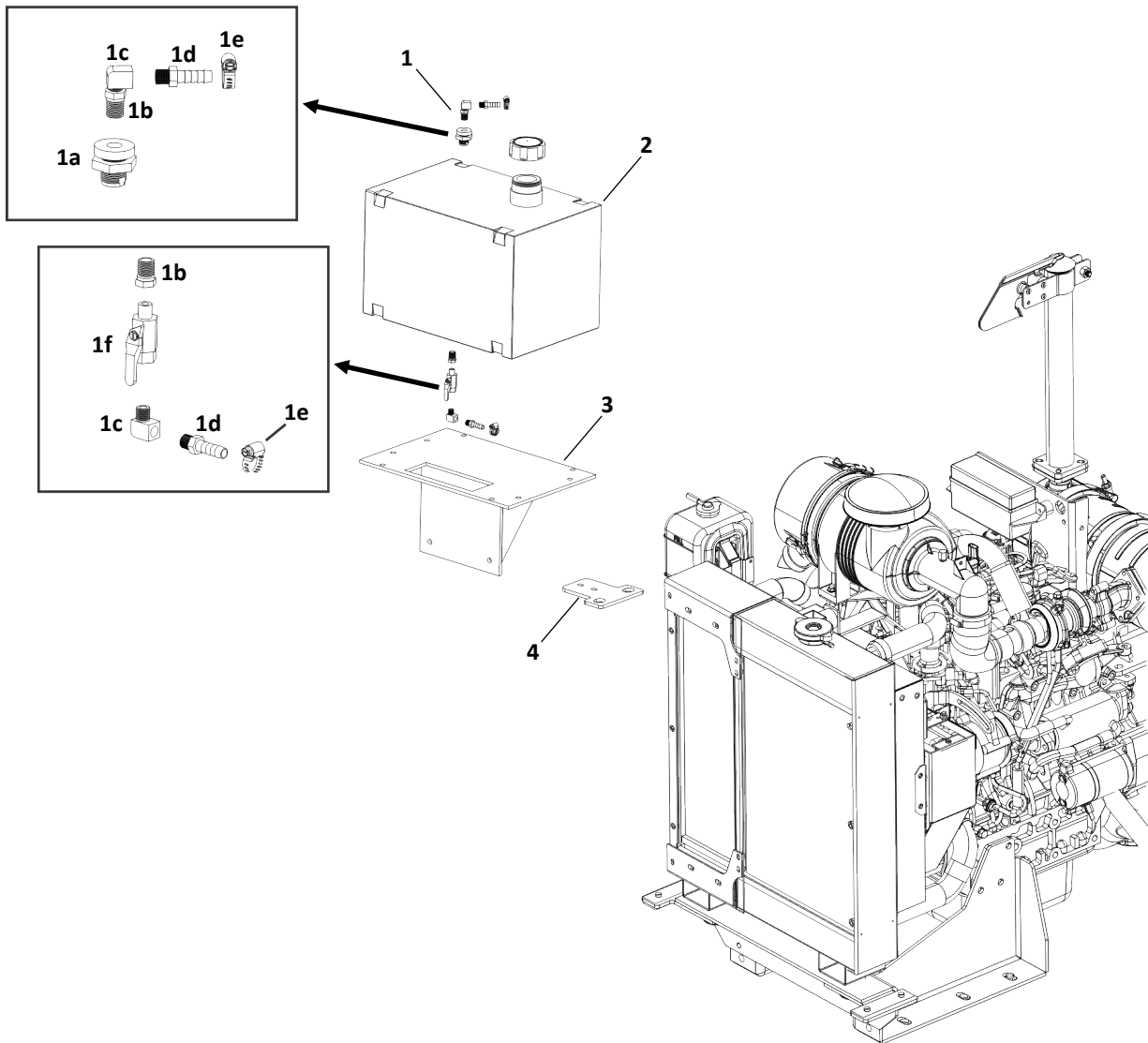
Item	Part No.	Description	Qty.
1	51600360	MNT, INJ PUMP CNTRL	1
2	50801951	CNTRL PANEL ENCLSR NEMA 4X, 8x6x3	1
3	50801930	BREAKER, PANEL 15 AMP	1
4	55170031	STUD, FULL THRD. 10-32 3" OAL	4
5	50801991	SPACER, CONTROL PANEL, AV-STC	4
6	51600090	SWITCH MOUNT, AV-STC	1
Not Pictured	51600630	DECAL, CONTROL PANEL FOR AV-STC	1
7	550801920	SWITCH, MAIN MR 50A CIRCUIT BREAKR	1
8	50603251	SWITCH, BODY 2-WAY, ON/OFF	2
8a	50603255	SWITCH ACTUATOR, ONE RED LENS	2
9	50602601	SWITCH, BODY MOMENTARY, PUSH BUTTON	1
9a	50603254	SWITCH ACTUATOR, NO LENS	1
10	51600800	CORD GRIP, MOISTURE RESISTANT	1
11	50801940	RELAY, 40 AMP 1 FORM C, SEA	1

Suction Hose Wand Assembly



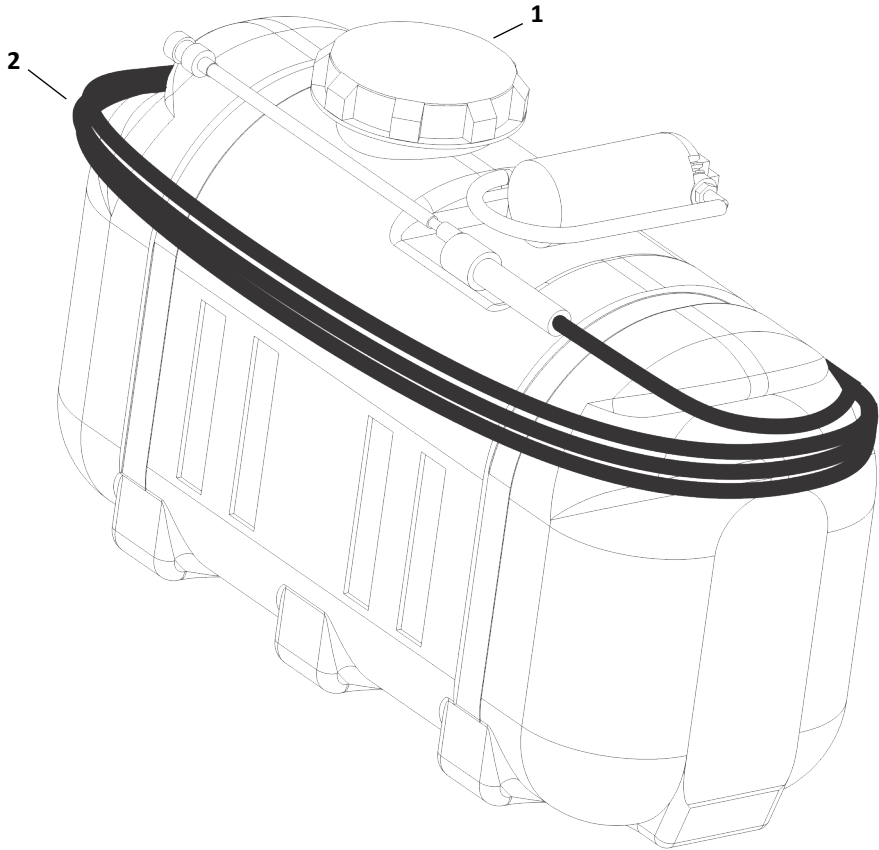
Item	Part No.	Description	Qty.
1	50609530	SOAP WAND	1
2	52501600	NPPL,CLOSE GLV 3/4	1
3	52511801	CPLNG,RDCNG GLV 1X3/4	1
4	58607220	NPPL,KING PLATED 1"	1
5	03019080	SUPRA CLAMP 31MM-34MM	2
6	58607210	HOSE,SUCTION 1"TIGER FLEX	11 ft
7	58607620	CMLK,C FE1X1BARB	1

Fuel System & Oil Filter Mount



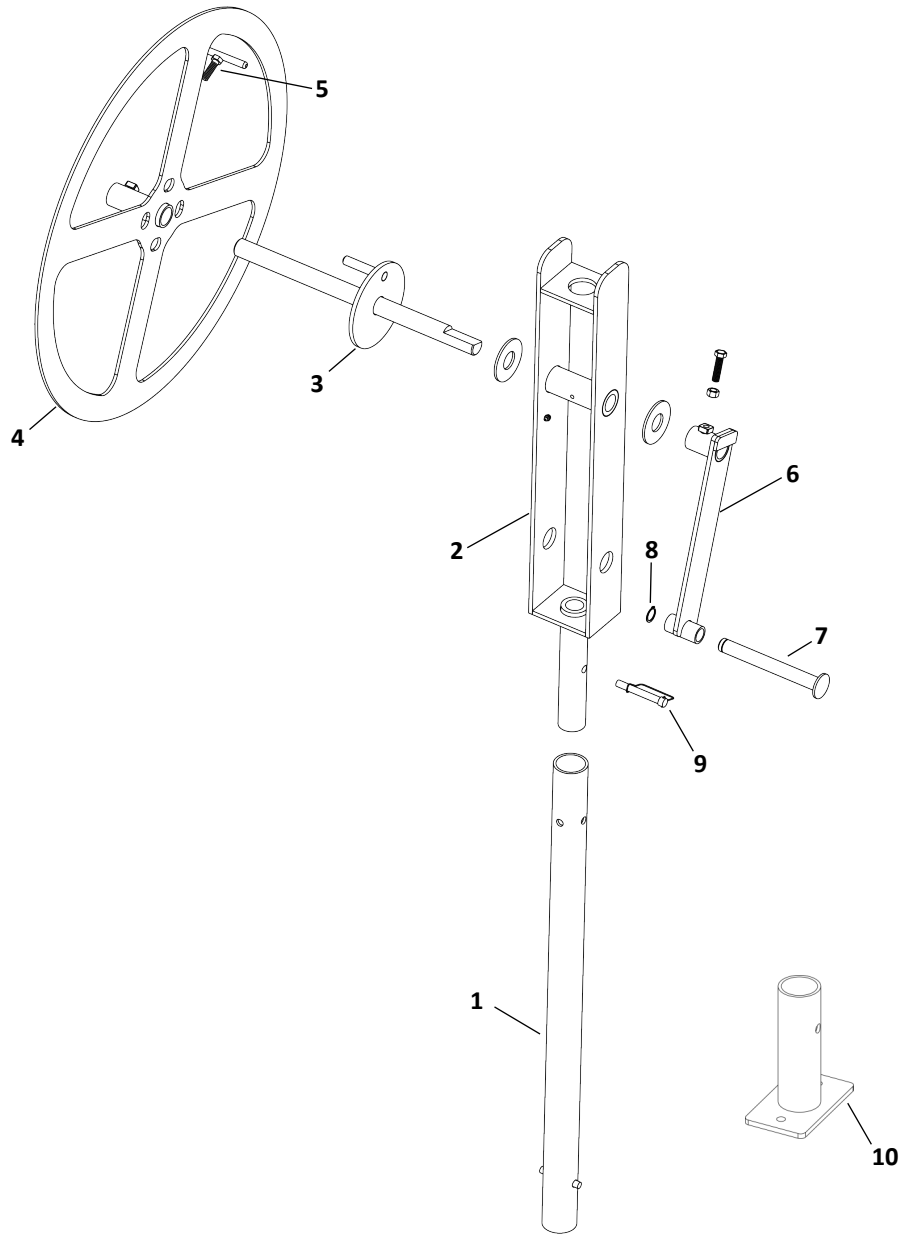
Item	Part No.	Description	Qty.
1a	50207101	FITTING,1/4 FOR 6 GAL PLASTIC TANK	1
1b	52547842	BSHNG, RDCNG BR 1/4X1/8	2
1c	52540341	ELBW,STRT BR 1/8X90	2
1d	59603660	BARB, 5/16 HOSE 1/8MNPT	2
1e	56048450	CLAMP,SCREW 7/32X5/8	2
1f	59603720	VALVE 1/4 TURN 1/8FNPT X 1/8MNPT	1
Not Shown	58406953	HOSE,GAS 5/16	
2	50207100	TANK, GAS 6 GAL PLASTIC W/FITTING	1
3	50609230	BRACKET, 6 GAL TANK -FOAM MASTER	1
4	52002270	OIL FILTER MOUNT PLATE	1
Not Shown	51600380	TANK MOUNT, AV-STC	1

Sanitation Tank



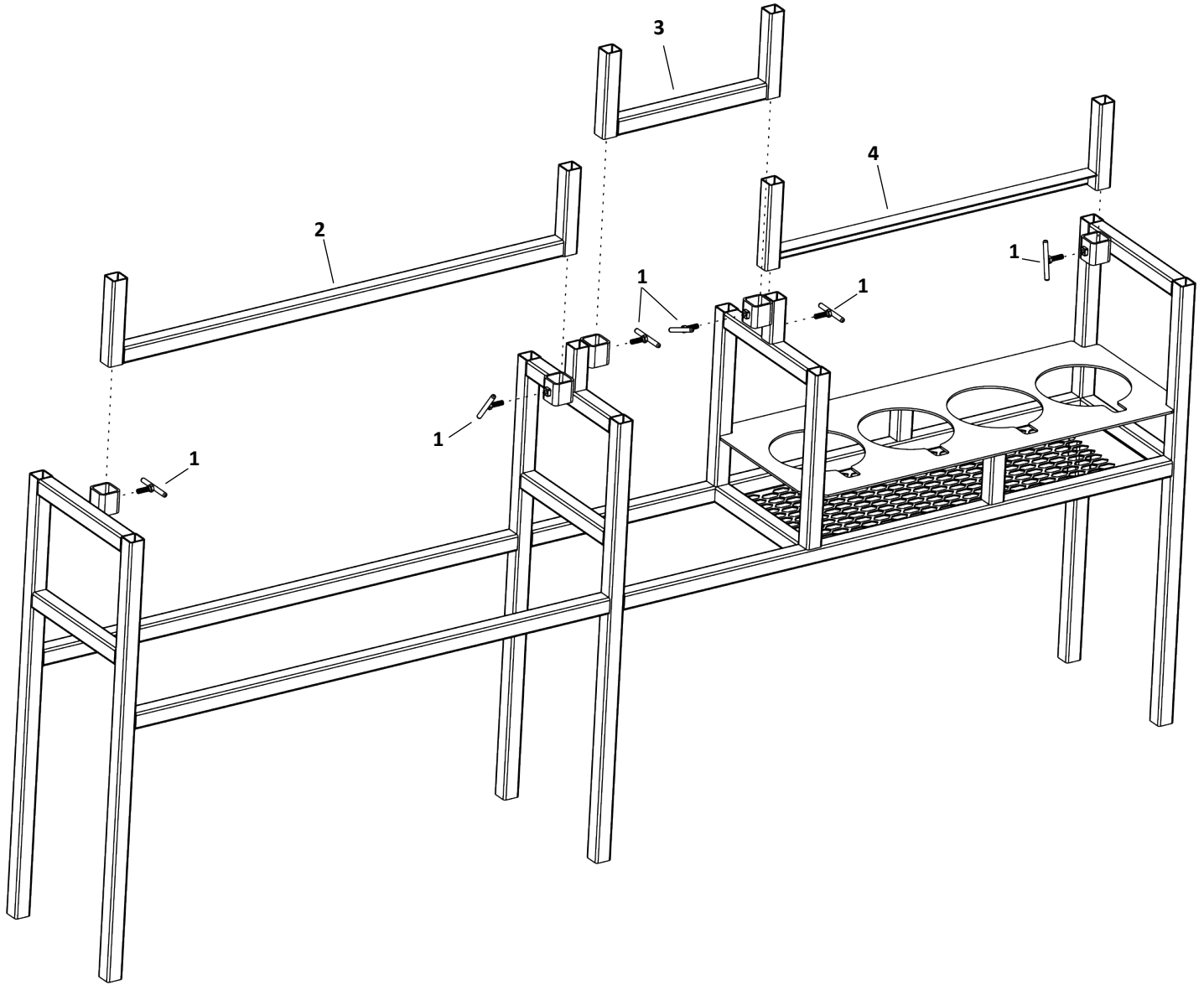
Item	Part No.	Description	Qty.
1	50702080	SANITATION SPRAYER TANK W/PUMP	1
2	550702170	3/8" TUBE, BRAIDED CLEAR PVC	25 ft.

Hose Winder Assembly



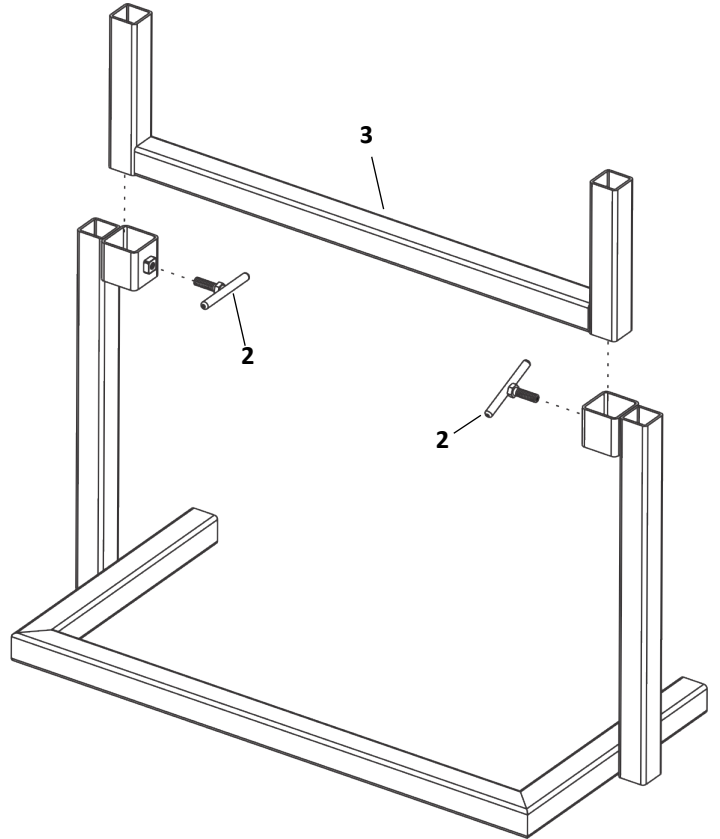
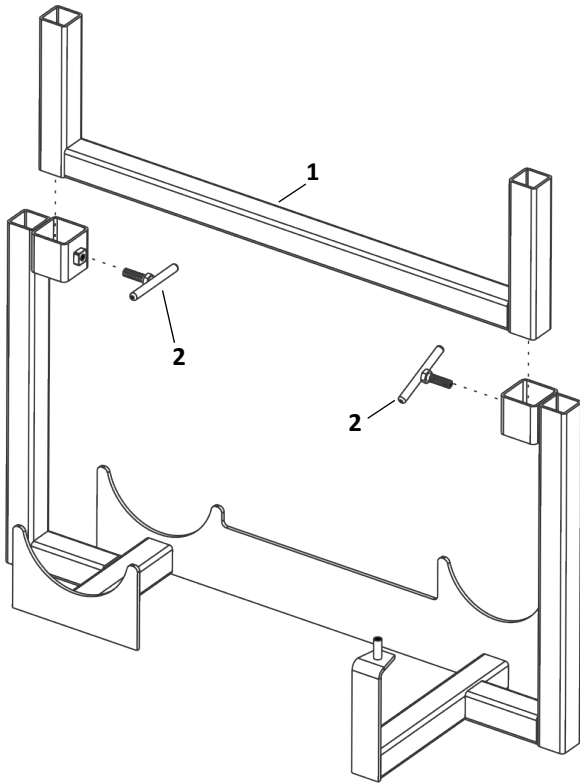
Item	Part No.	Description	Qty.
1	51600582	POST STAND, HOSE WINDER	1
2	51600530	BASE WLDMNT, HOSE WINDER	1
3	51600544	AXLE, HOSE WINDER,	1
4	51600550	GUIDE CAP, HOSE WINDER	1
5	50604680	TEE HANDLE 3/8"	1
6	51600560	CRANK ARM WLDMNT, HOSE WINDER	1
7	51600572	CRANK HANDLE, HOSE WINDER	1
8	59602562	RING,RETAINING 3/4 SHFT	1
9	50406800	PIN, SAFETY SNAP SQ.RETAINER 3/8"	1
10	52300160	HOLD POST, WINDER AVSTC	2

Supply Hose Rack Accessories



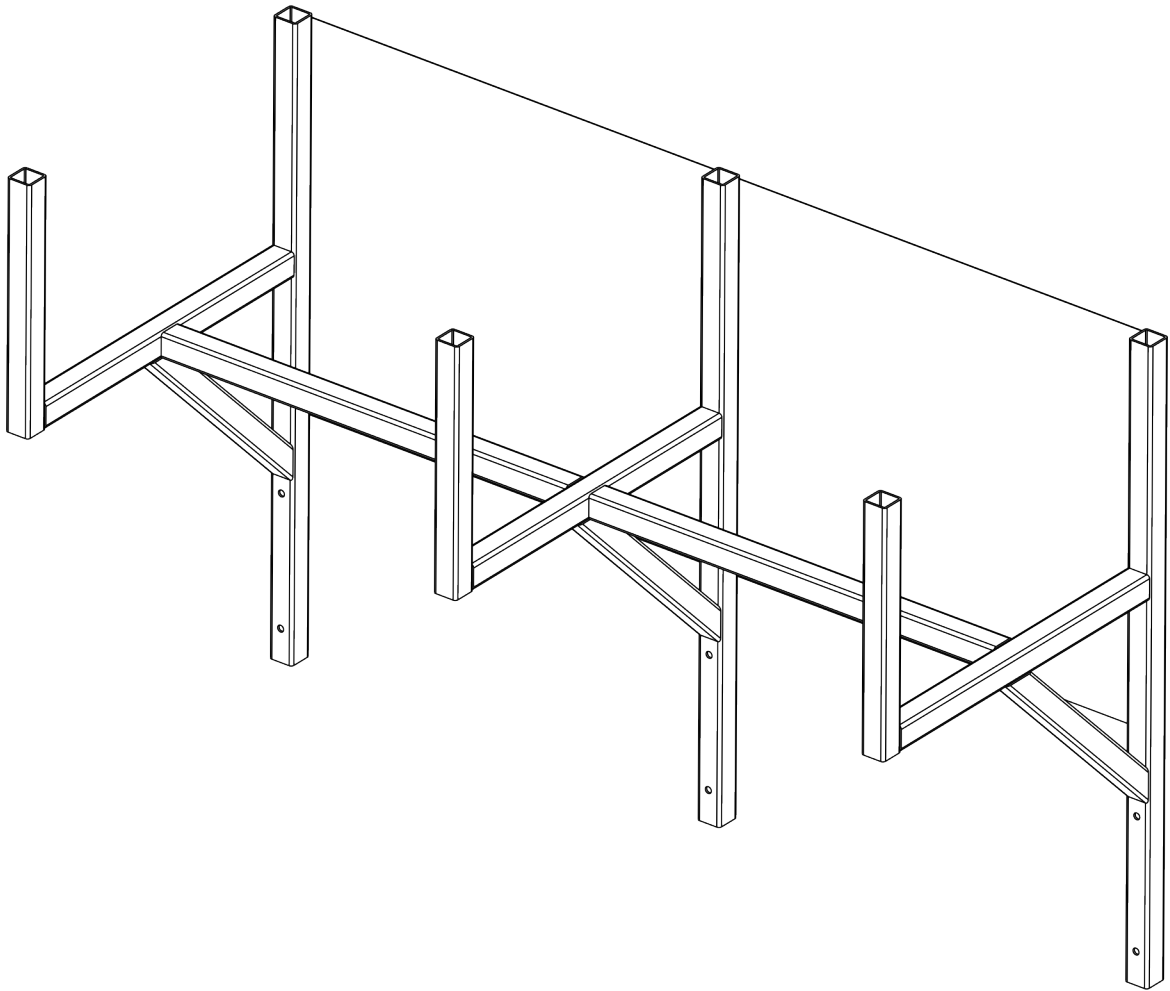
Item	Part No.	Description	Qty.
1	50604680	TEE HANDLE 3/8"	6
2	51600513	HOSE RACK LOCK, 1.75" HOSE	1
3	51600514	HOSE RACK LOCK, 3" HOSE	1
4	51600680	NOZZLE CLAMP, HOSE RACK	1

Valve & Hose Washer Rack



Item	Part No.	Description	Qty.
1	51601220	CROSS LOCK BAR, 4" VALVE & WASHER	1
2	50604680	TEE HANDLE 3/8"	4
3	51601170	CROSS LOCK BAR, STRAINERS	1

Holding Tank Rack

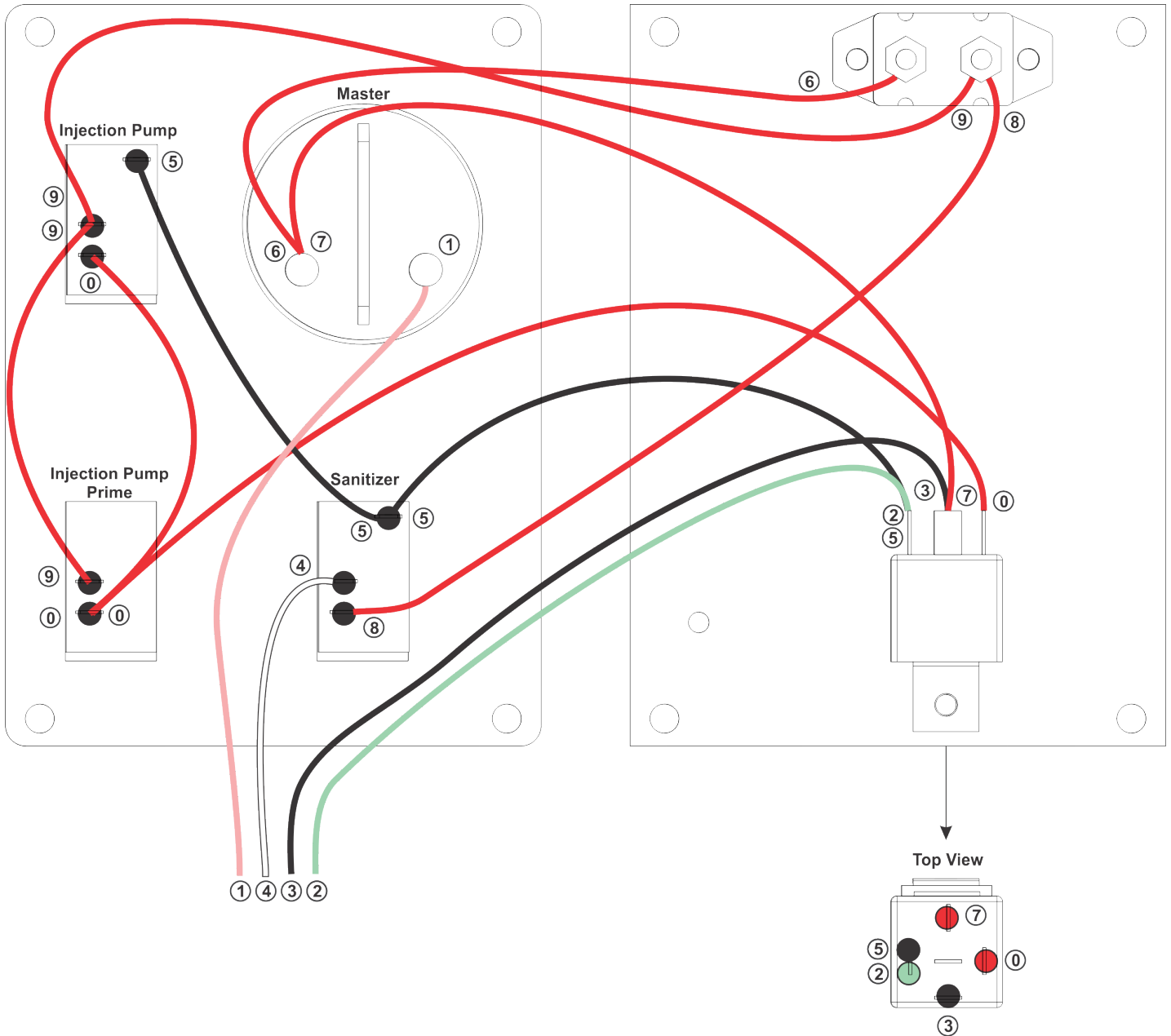


Item	Part No.	Description	Qty.
1	51600780	RACK, HOLDING TANK AV-STC	1

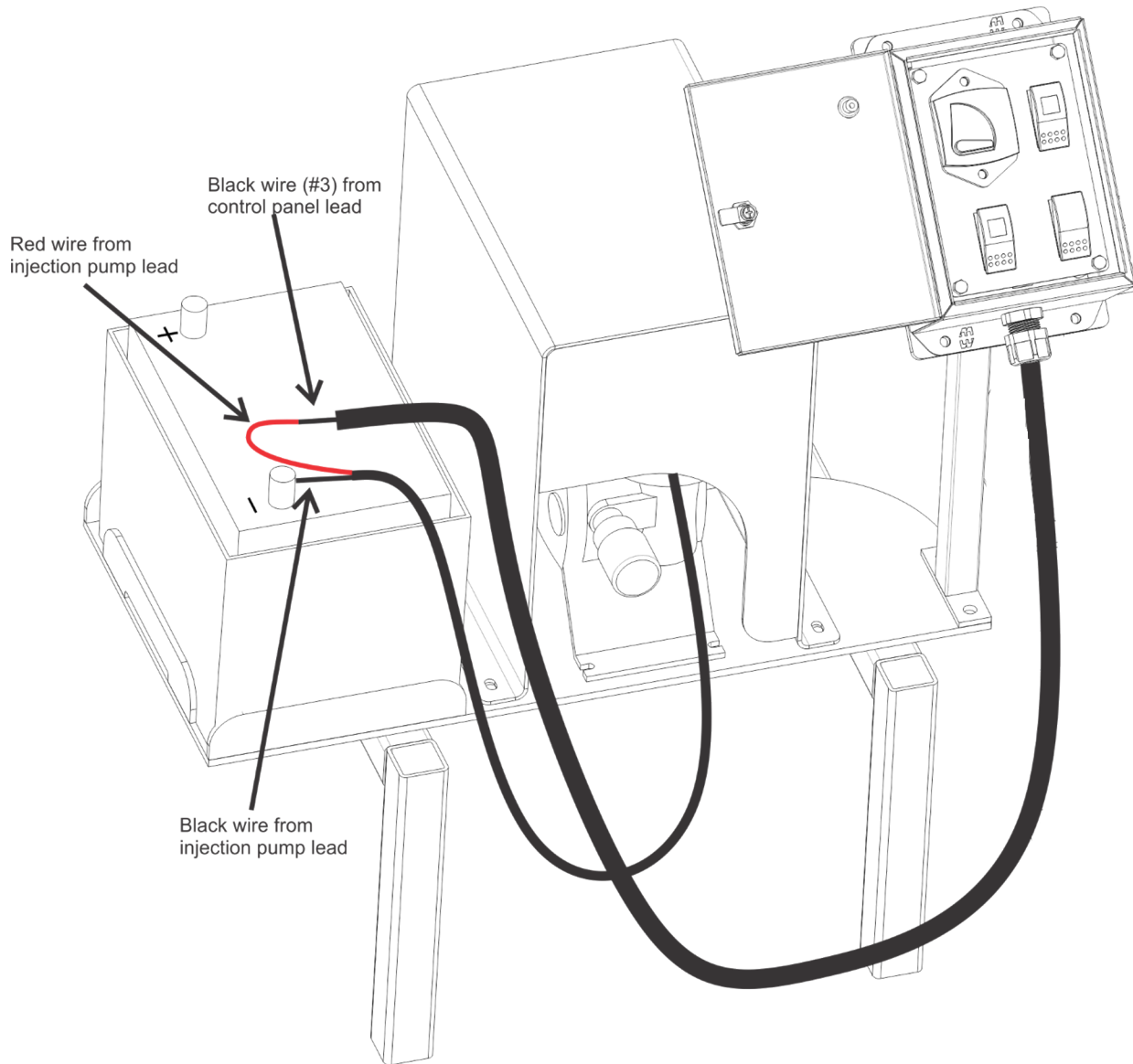
Wiring Diagram (Electrical Panel)

Back of top panel

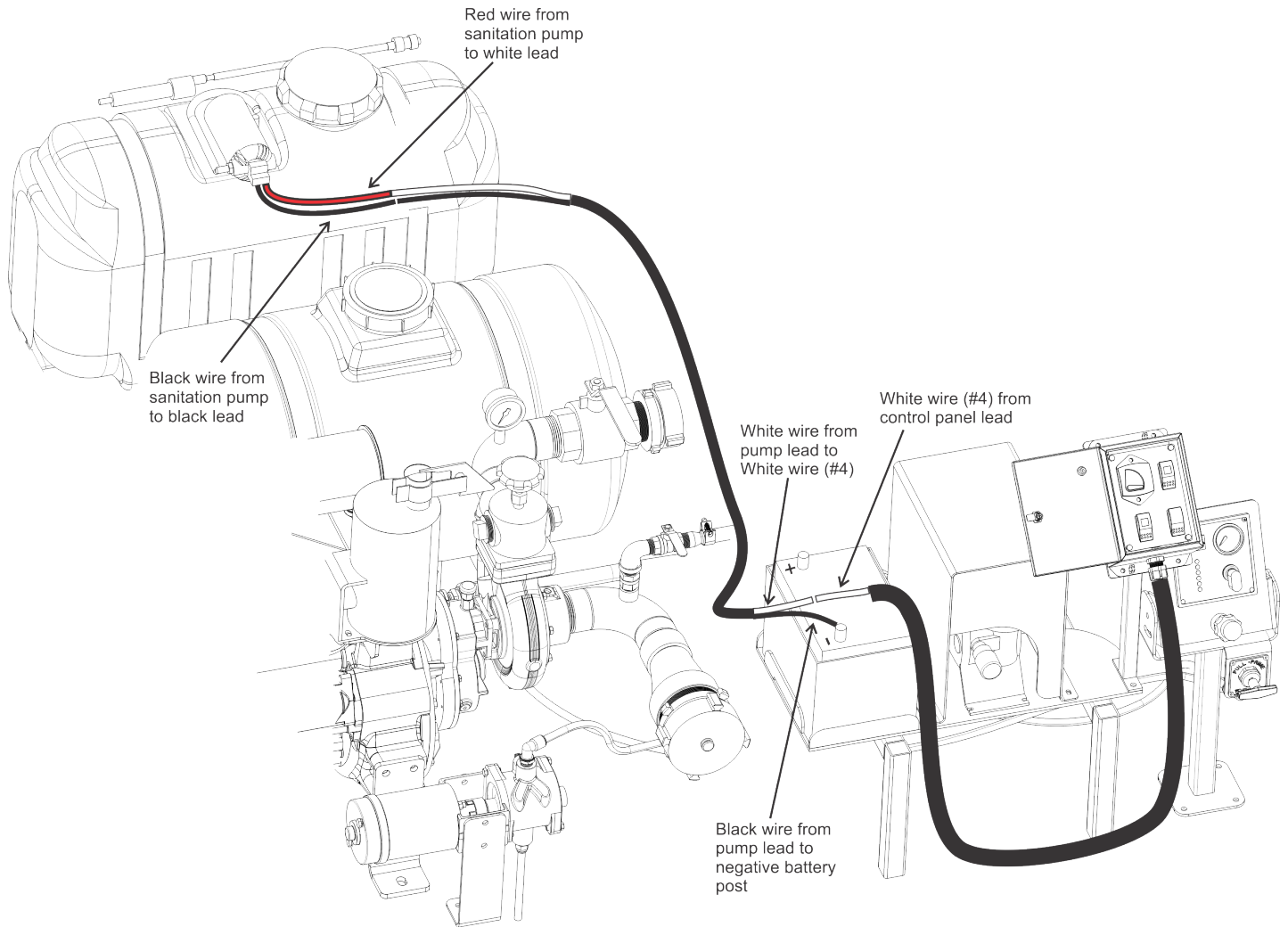
Bottom panel plate



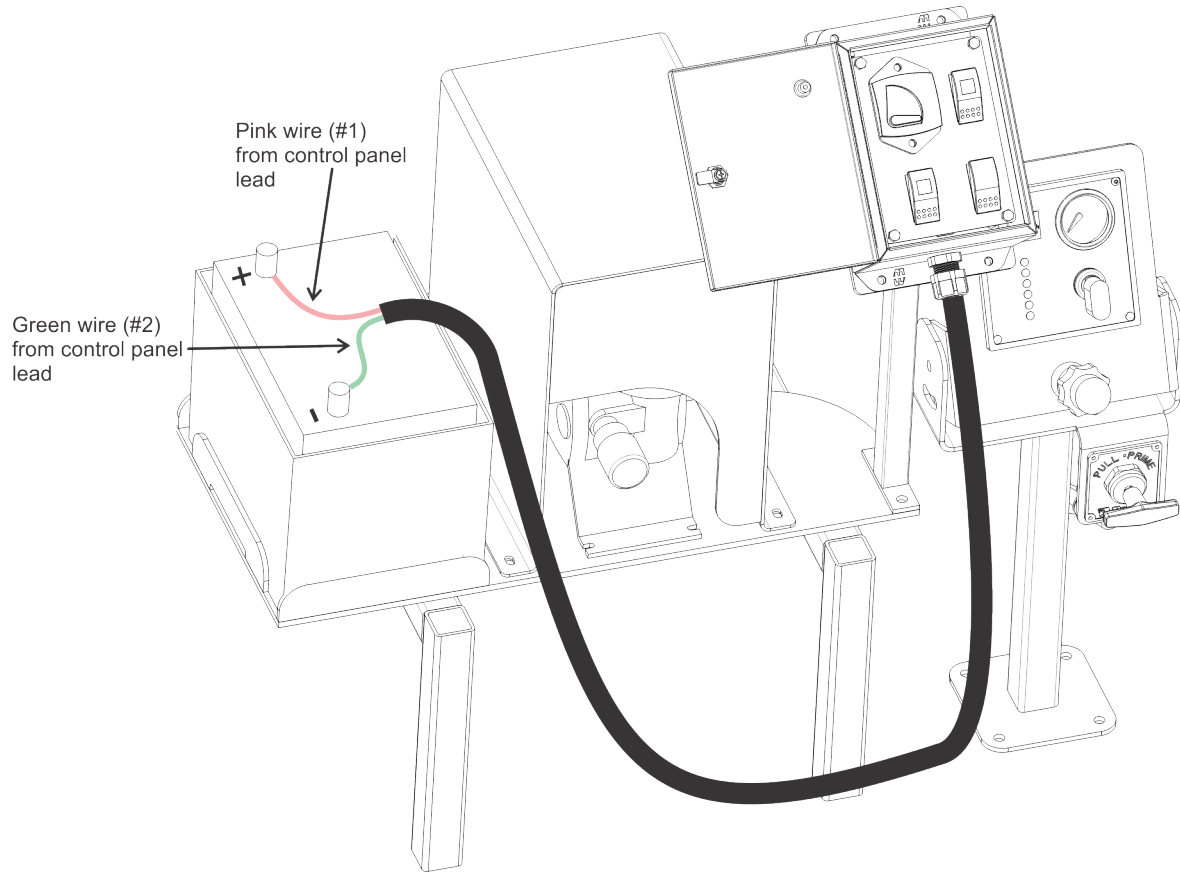
Injection Pump Wiring Diagram



Sanitation Tank Wiring Diagram



Control Panel Lead Wiring Diagram



Components & Accessories

Part No.	Description	Qty.
51600020	FOAM NOZZLE 60 GPM	4
51600027	SUPERFLOW 2-WAY BALL VALVE, 4" X 4"	1
51601150	2-WAY BALL VALVE, 2.5 X (2) 2.5	1
51600860	2-WAY BALL VALVE WYE	2
51600480	HOSE WASHER, 3"	1
51600030	TANK, HOLDING RLT-3000	2
51600040	HOSE, SUCTION, 4"x5' PVC W/4" M&F NST	2
51600041	HOSE, SUCTION, 4"x10' PVC W/4" M&F NST	3
51600070	HOSE, 1.75 X 50 FT, 1.5 NST M&F FTNGS	12
51600071	HOSE, 3" X 50 FT, 2.5" NST M&F FITNGS	3
51600080	STRAINER, 4", LOW LEV. 4" NH	2
51600640	SPANNER HYDRANT WRENCH	2
51600641	DRUM & PAIL WRENCH	2
51600642	UNIVERSAL SPANNER WRENCH	2
51600643	NOZZLE, 1-1/2 NH/NST FORESTRY FOG	1
51601160	ADAPTER, 2.5 NH MALE X 4 NH FEMALE	2
51600030	Tank, Holding RLT-3000	2
51600930	TANK FILTER FITTING	2
51600655	KIT, MECH SEAL, 2.5 AGE PUMP	1
51600930	Tank Filter Fitting	2
51600050	Foam Concentrate, Phos Chek Class A WD881 - 5 Gal. Containers	-
51601040	Foam Concentrate, Phos Chek Class A WD881 - 55 Gal. Drum	-

NOTES:

