



**Turbine Drive Water-Reels®
Engine Drive Slurry - Reels**

30A

33A

Parts Manual

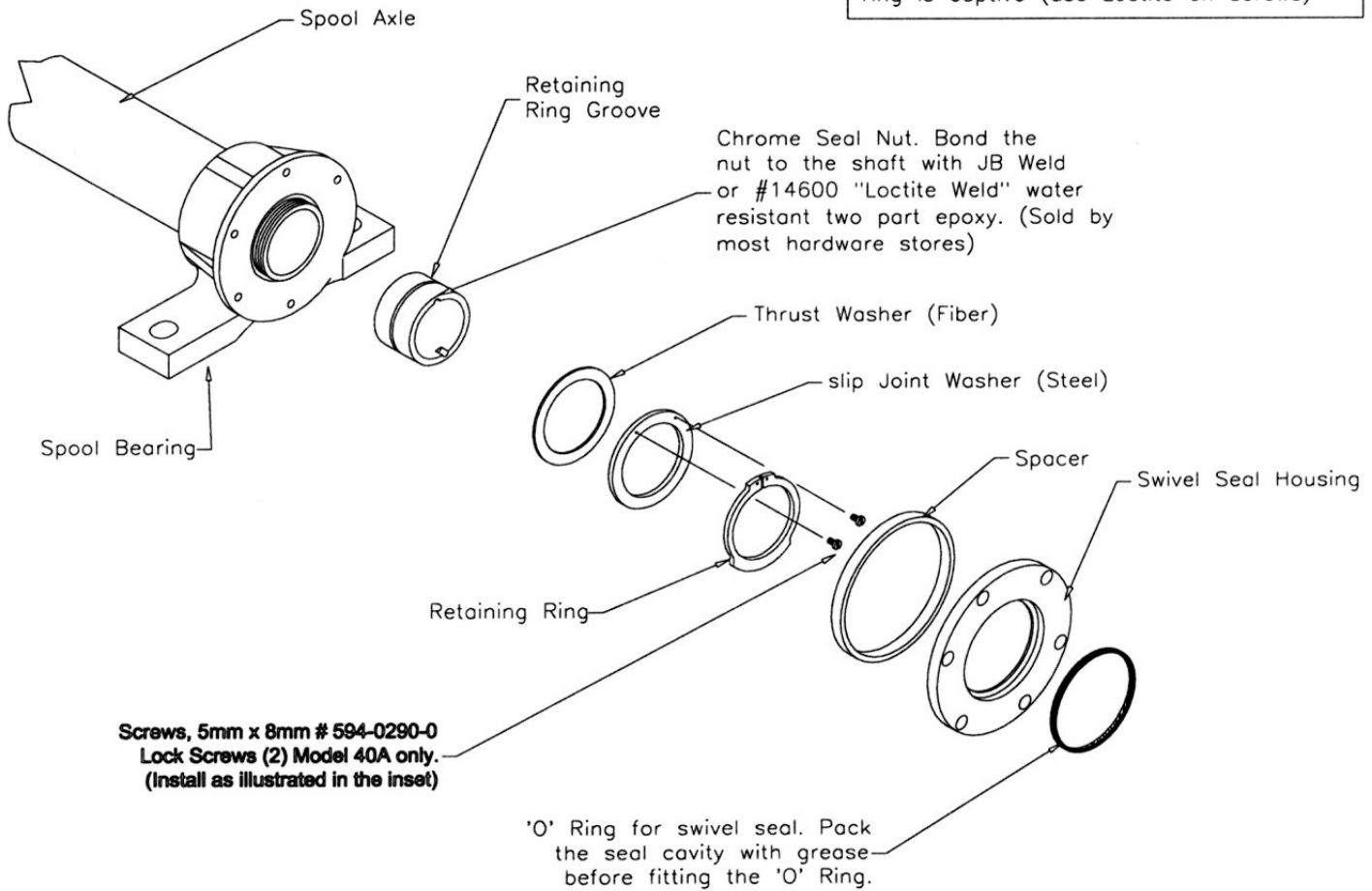
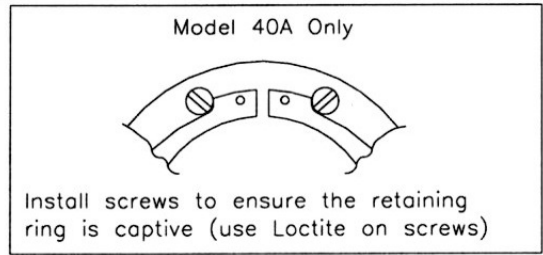
Serial No. 300,000 - 300,999



AG-RAIN®

700 S. Schrader Ave.
Havana, Illinois 62644
Phone: 309-543-4425 Fax 309-543-4945

Swivel Seal conversion for models: 30A, 33A, 37A, 40A. Serial numbers 280,999 & below.



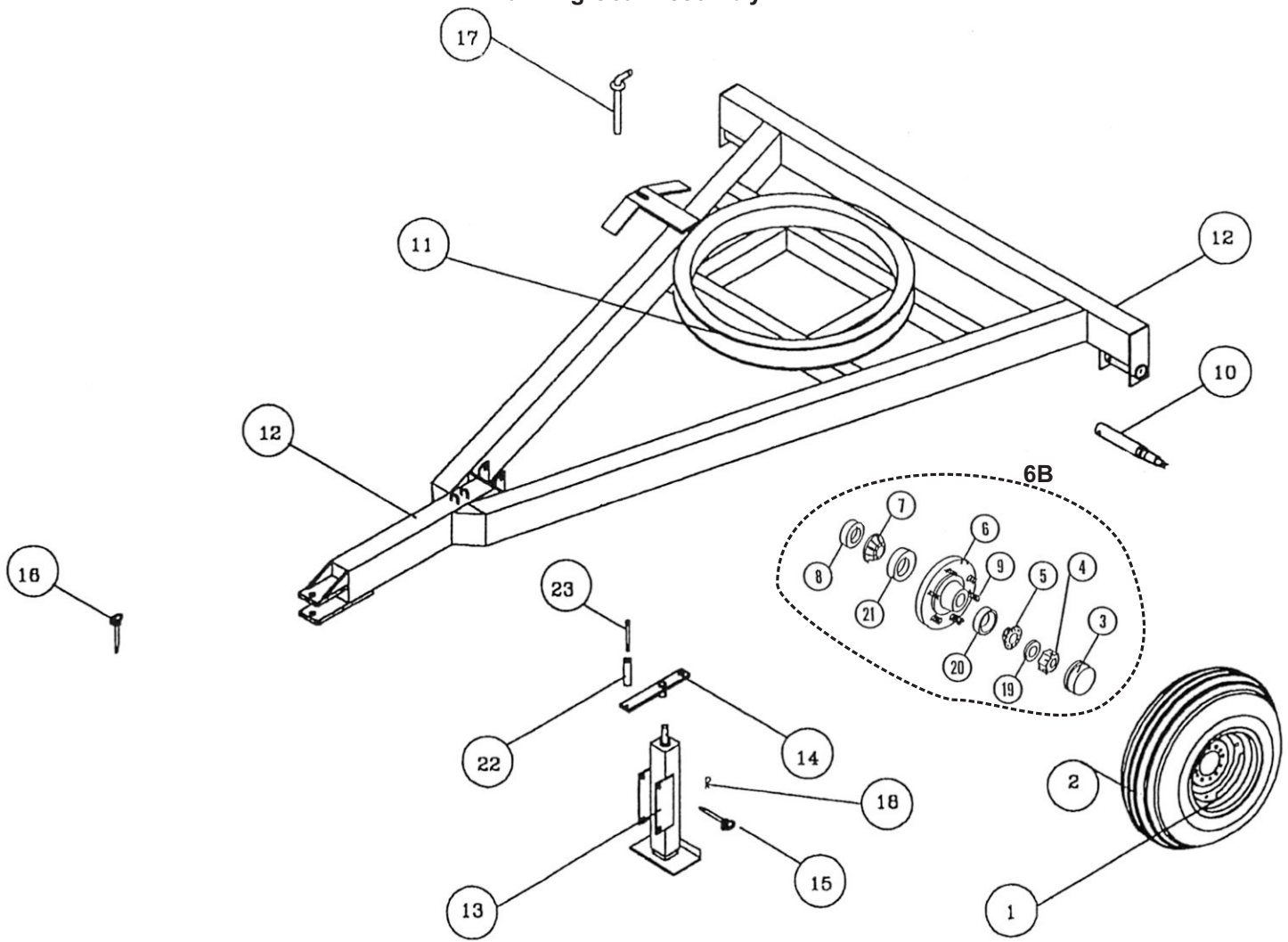
193-0068-0

SOME PARTS ARE NO LONGER AVAILABLE

For Parts that are described as "Left" or "Right" the water inlet side of the machine is considered the right side

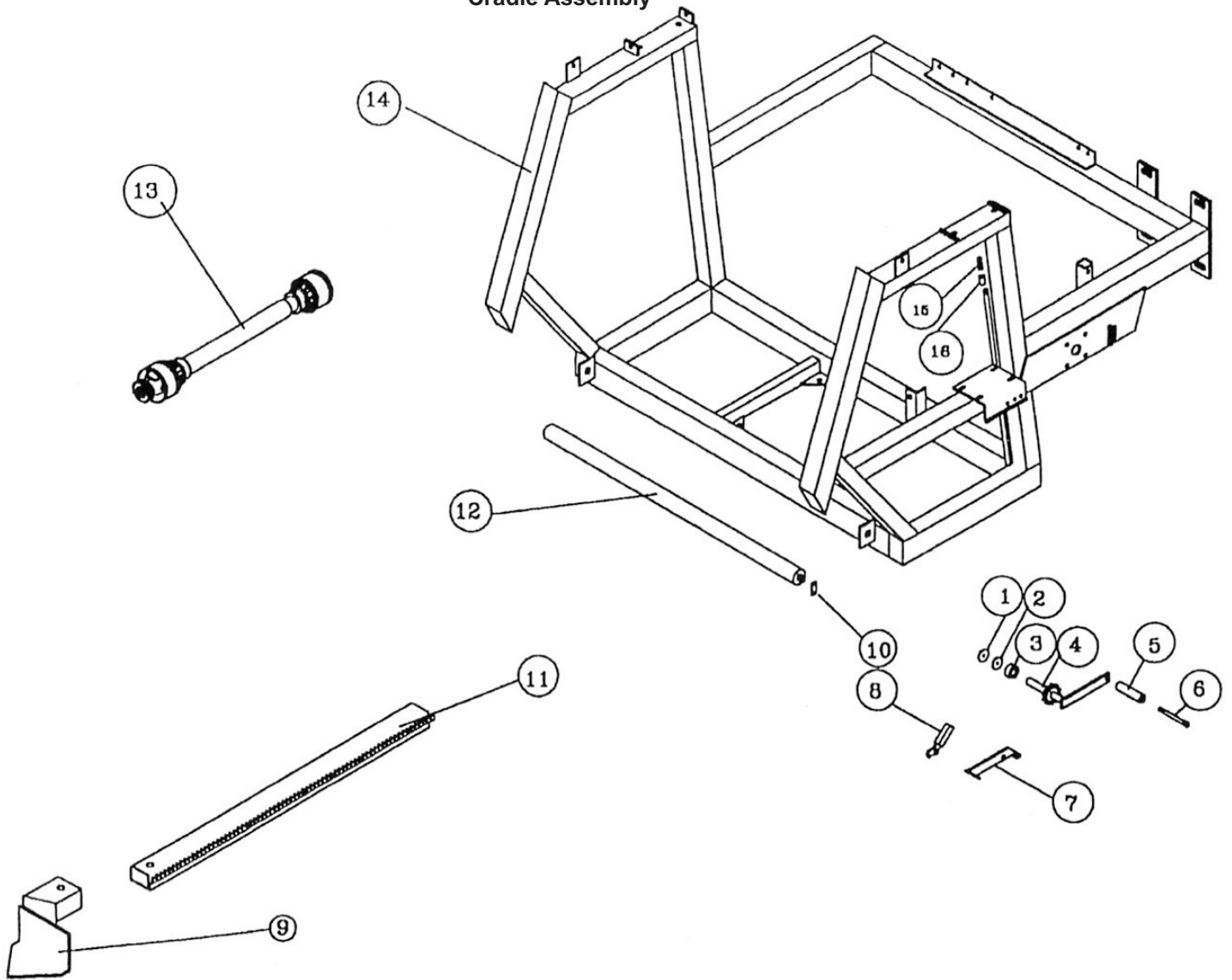
Items Such as common fasteners, grease fitting, and other small parts easy to acquire locally are not listed.

Running Gear Assembly

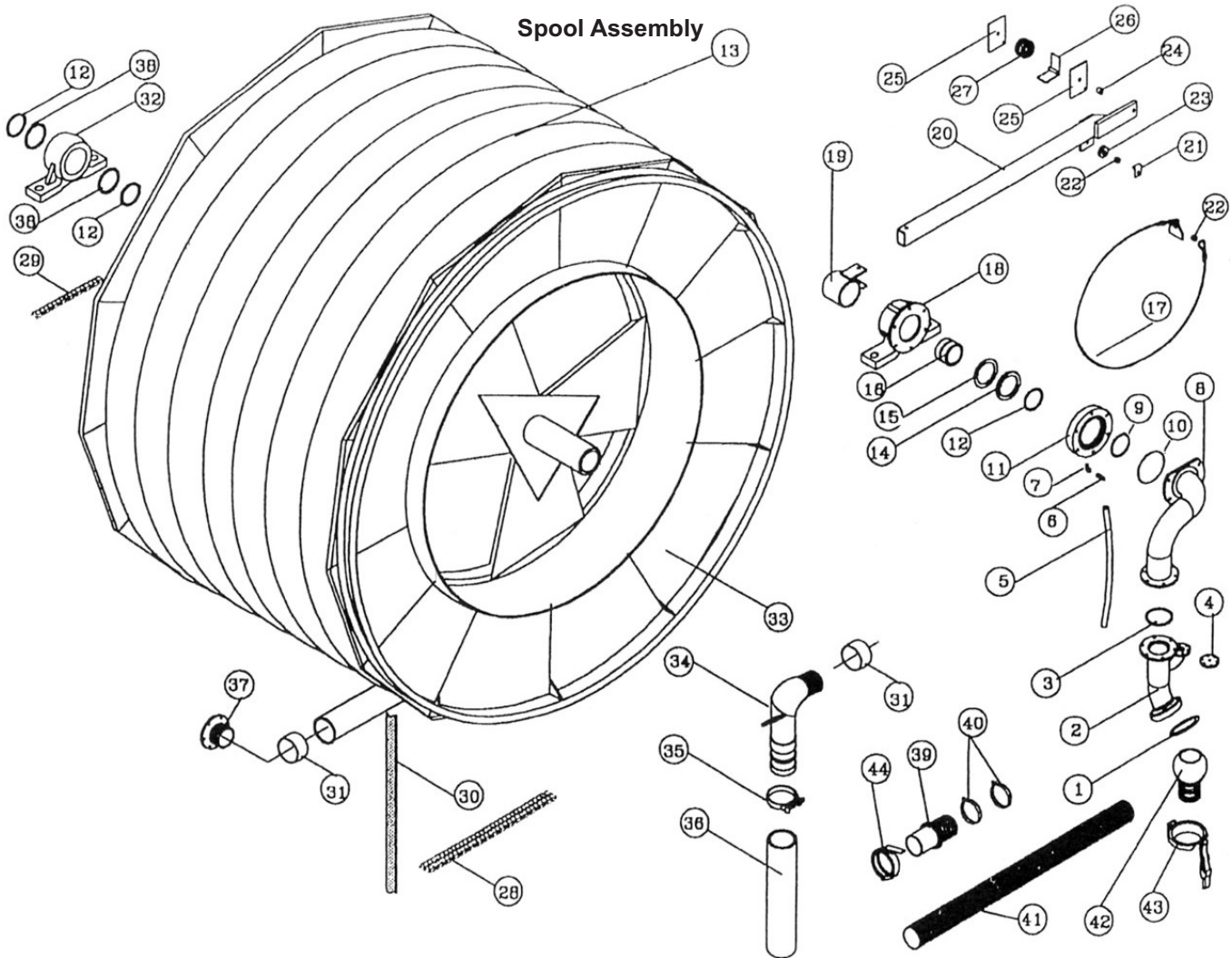


No.	Part Number	Description	Qty.
1	52651381	WHEEL, 15X10 6BOLT 6"BCD	2
2	52655310	TIRE 11L-15 12 PLY	2
3	58803550	CAP,HUB WILT 909902	2
4	58902070	NUT,SLOTTED 7/8 WIL912952	2
5	51509390	BEARING,TIMKEN LM67048	2
6A	58802503	Hub, With Races Only, Wilton 280511	2
6B	58802502	HUB ASSY,6BOLT W709	2
7	58803554	BEARING,TIMKEN LM48548	2
8	58803553	SEAL,CR15190	2
9	58803555	LUG BOLT 1/2 X 1	12
10	58802512	SPINDLE ASSY,1-3/4X13.3	2
11	02099554	BEARING,TURNTABLE D2	1
12	59404790	Chassis	1
13	58403300	JACK,TONGUE 41,45,T27-T40	1
14	59403300	CRANK HANDLE	2
15	55832811	PIN,HITCH 3/4X4-1/8 ZN	1
16	52358660	PIN,HITCH 3/4 X 6-1/2	1
17	59302260	PIN,HITCH 8 IN X 3/4	1
18	56102040	PIN,HAIR .118DIAX2-11/16	2
19	58902080	WASHER,SPINDLE WILTON # 912952	2
20	51009400	RACE,LM67010	2
21	51009401	RACE,INNER LM 48510	2
22	59403240	HANDLE	1
23	56230361	Screw, Allen Cap 1/2 x 5"	1

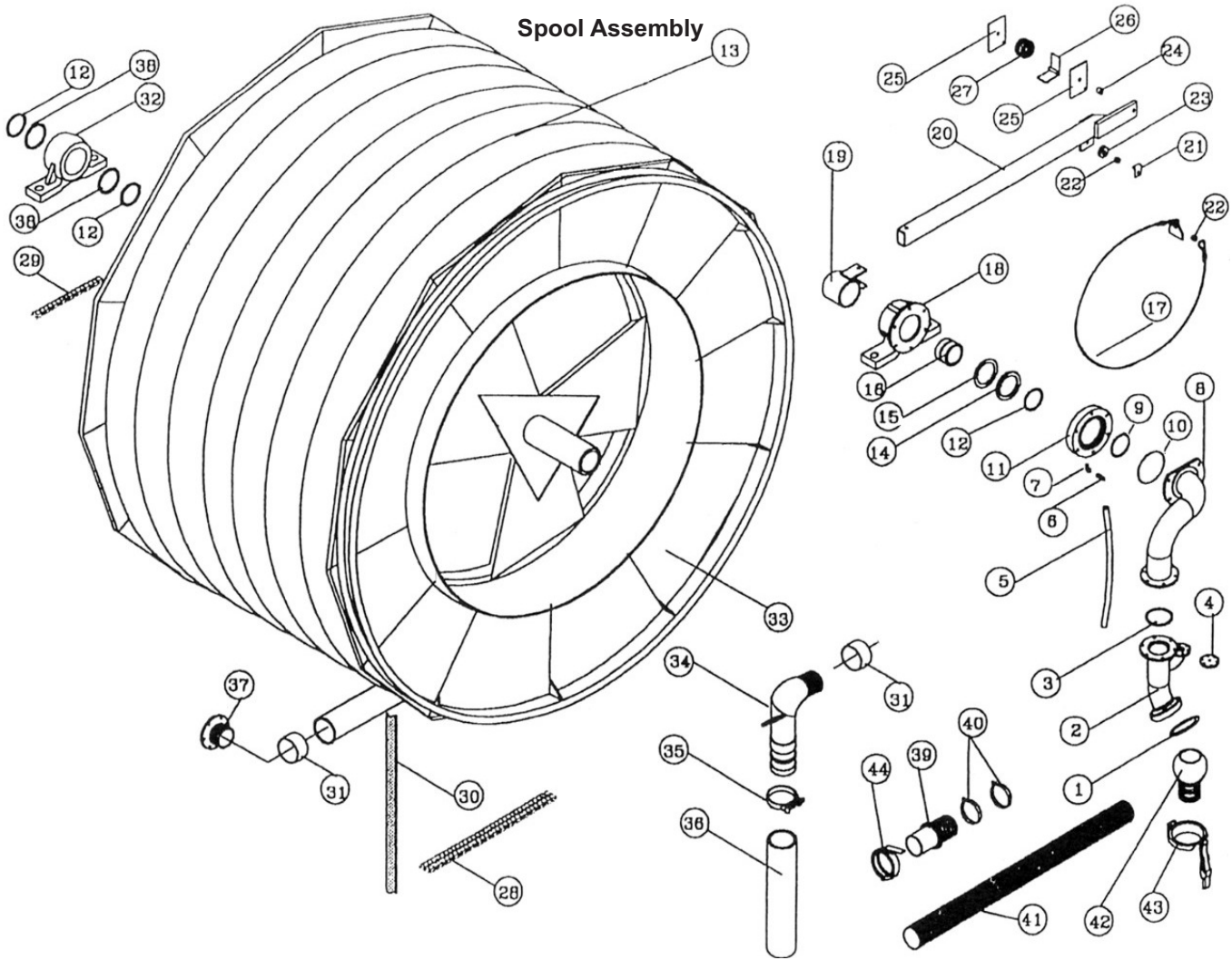
Cradle Assembly



No.	Part Number	Description	Qty.
1	55170011	NUT,10-1.5MM NYLOC	2
2A	02099058	NUT	2
2B	02099049	WASHER	2
3	02099059	SPRING, RUBBER STABILIZER	2
4	02099578	CRANK	2
5	59403240	HANDLE	2
6	56231361	SCREW,CAP ALLEN 1/2X5	3
7	59404670	CATCH	2
8a	59404800	HANDLE,RIGHT	1
8b	59404801	HANDLE,LEFT	1
9a	02200270	FOOT,STABILIZER CHAIN SIDE 30	1
9b	02200280	FOOT,STABILIZER TURBINE SIDE 30	1
10	02099571	Plate	1
11a	59405281	SPRING,LEFT TORSION	1
11b	59405271	LEG, STABILIZER LT	1
12	02010410	ROLLER	1
13	30036040	SHAFT,PTO60"OAL#1 BUSH	1
14	59404111	Cradle, 30	1
15	59405850	BARB 3/8 NPT X 1/2 HOSE	1
16	59500660	CPLNG,STL GLV 3/8	1

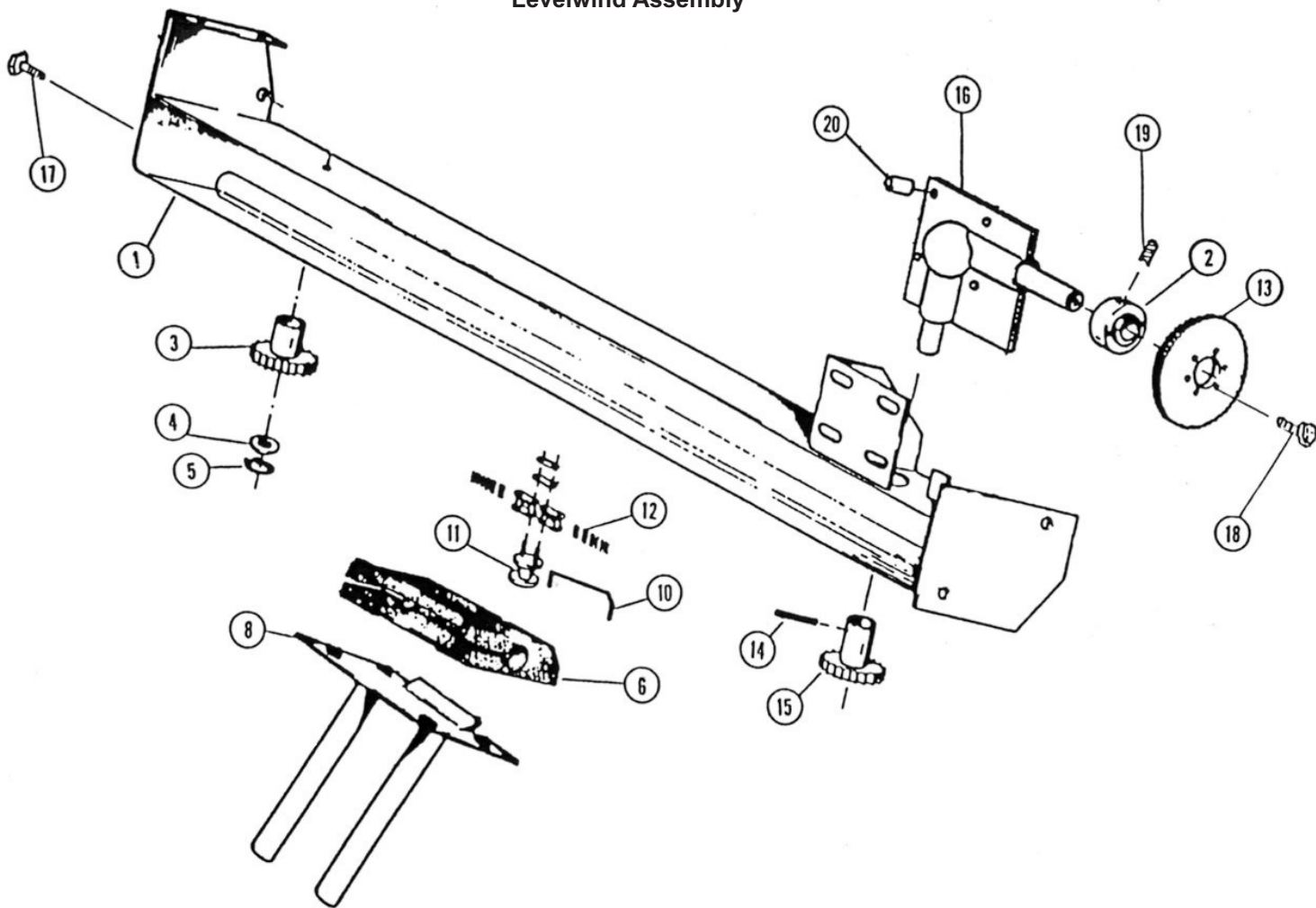


No.	Part Number	Description	Oty.
1	58800233	SEAL RING 4" 6-3/8 OD X 9/16	1
2	59405110	FITTING,ENTRY 30/37	1
3	46546680	O-RING 5-1/8 X4-5/8 X1/4	2
4a	59405102	Cap, Gauge Adaptor	1
4b	58606901	BODY,GAUGE PROTECTOR-TOP	1
4c	58700460	DIAPHRAGM,GAUGE PROTECTOR	1
5	58609980	HOSE 1/2 SGL BRD 150 RBR	ft. 2
6	58701170	BARB,HOSE 1/4 NPT X 1/2	1
7	52549260	ELBW,STRT GLV 1-1/4X90	1
8	59500280	ELBW,UPPER 30	1
9	46548841	O-RING 3-7/8X3-3/8 90DURO	1
10	46548482	O-RING 4-7/8X4-5/8X1/8	1
11	02208500	SEAL KIT,UNIVERSAL FIT-D2/AR5 27K+	1
12	02200370	RING,RET	3
13a	58401750	TUBE,PE 90MM X 3.0 ID X 1000FT	1
13b	58401740	TUBE,PE 100X3.3ID X 800 FT	1
14	02200400	WASHER,SLIP JOINT	1
15	02200360	RING,ANTIFRICTION	1
16	59302451	NUT, SLIP JOINT 30 - D2/AR5	1
17	59502270	Cable Assm.	1
18	02200320	SUPPORT,FLANGED (D2-AG5)	1
19	59201660	BEARING,IDLER T-30	1
20	59201820	ARM,IDLER	1
21	58606210	CABLE RETAINER	2
22	32551910	BUSH,STL.843X.56X.62L	3
23	40249060	PLLY,WRP17/32X2X7/8B STL	2
24	59405170	BUSH,STL 1X.64X.75L	1



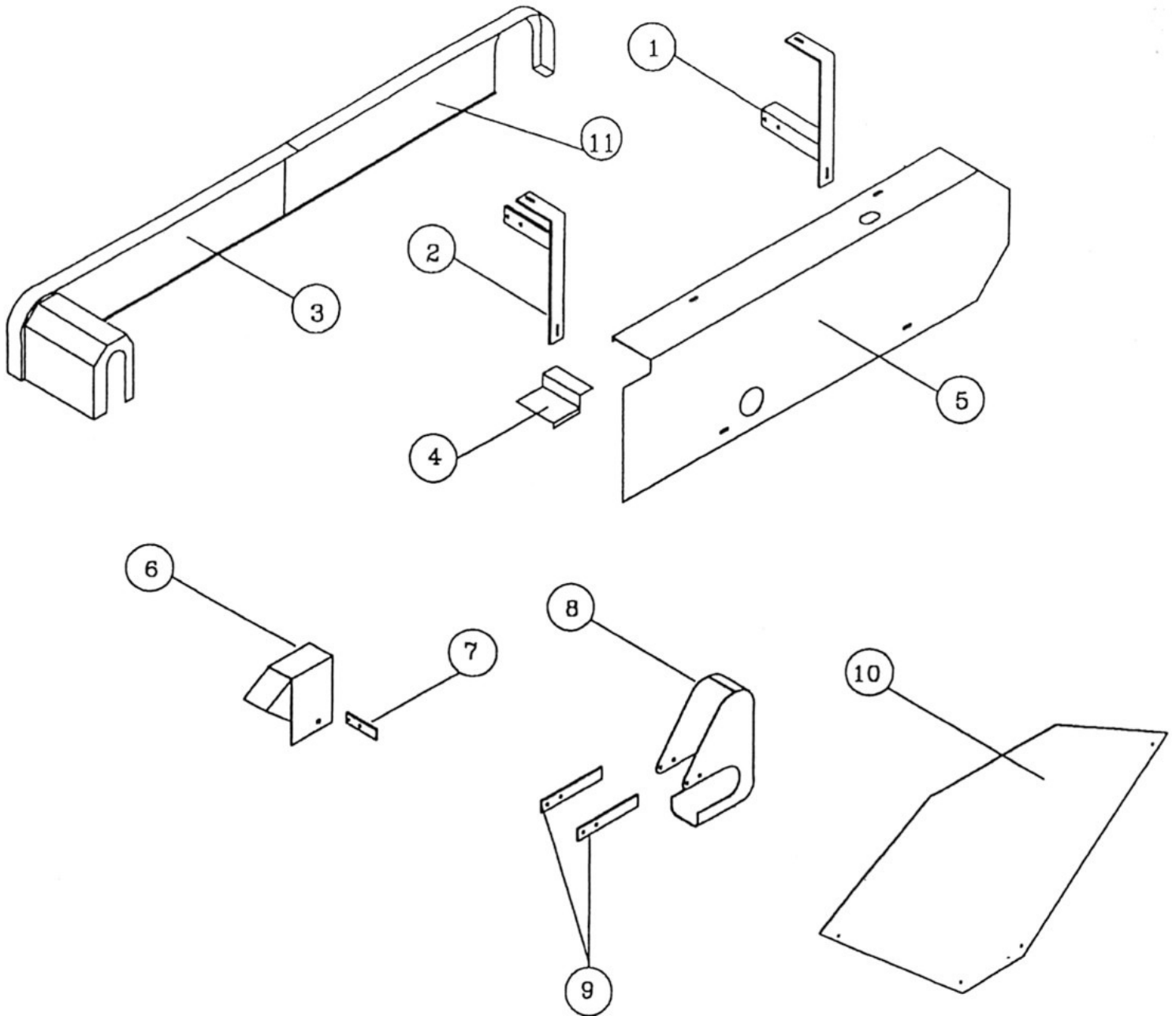
25	59405150	SHIELD,SIDE IDLER	2
26	59405160	SHIELD, IDLER Front	1
27	88048611	IDLER,60-2 W/BUSH	1
28a	87548471	CHAIN,#60-2DW RLLR PER FT	ft. 25
28b	30248611	LINK,#60-2 DBL WD CNNCTR	1
28c	30248621	LINK,#60-2 DBL WD OFF-SET	2
29a	02001140	CHAIN 1/2 METRIC ROLLER	ft. 9.7
29b	02201110	LINK 1/2 CONNECTOR	1
29c	02201100	LINK,1/2" OFF-SET METRIC	1
30	52654188	BELTING 40 2.2 X 29 FT	1
31a	02099113	BAND, HOSE 90MM	2
31b	02099114	BAND, HOSE 100MM	2
32	02099581	HOSE DRUM SUPPORT	1
33	59204580	Spool	1
34a	02200340	ELBW,3" PE TUBE - D2 270000&UP	1
34b	02201270	ELBW,PE TUBE 100MM - D2	1
35	03019215	SUPRA CLAMP 85MM-91MM	4
36	02200310	HOSE 30	1
37a	02218822	HOSE RING WITH FLANGE 90MM	1
37b	02003118	TUBE END,100MM X FLANGE	1
38	02200380	SPACER,D2 SPOOL	2
39	58802660	HOSE END INLET 4	1
40	03019240	SUPRA CLAMP 104MM-112MM	4
41	25249620	HOSE, IRR SUPPLY REMNANT 4"(PERFT)	ft. 30
42	58802561	HOSE END OUTLET - 4" BALL	1
43	58800231	LEVER RING 4" 451 108MM	1
44	40049270	BAND,RING LOCK 4 IN	1

Levelwind Assembly



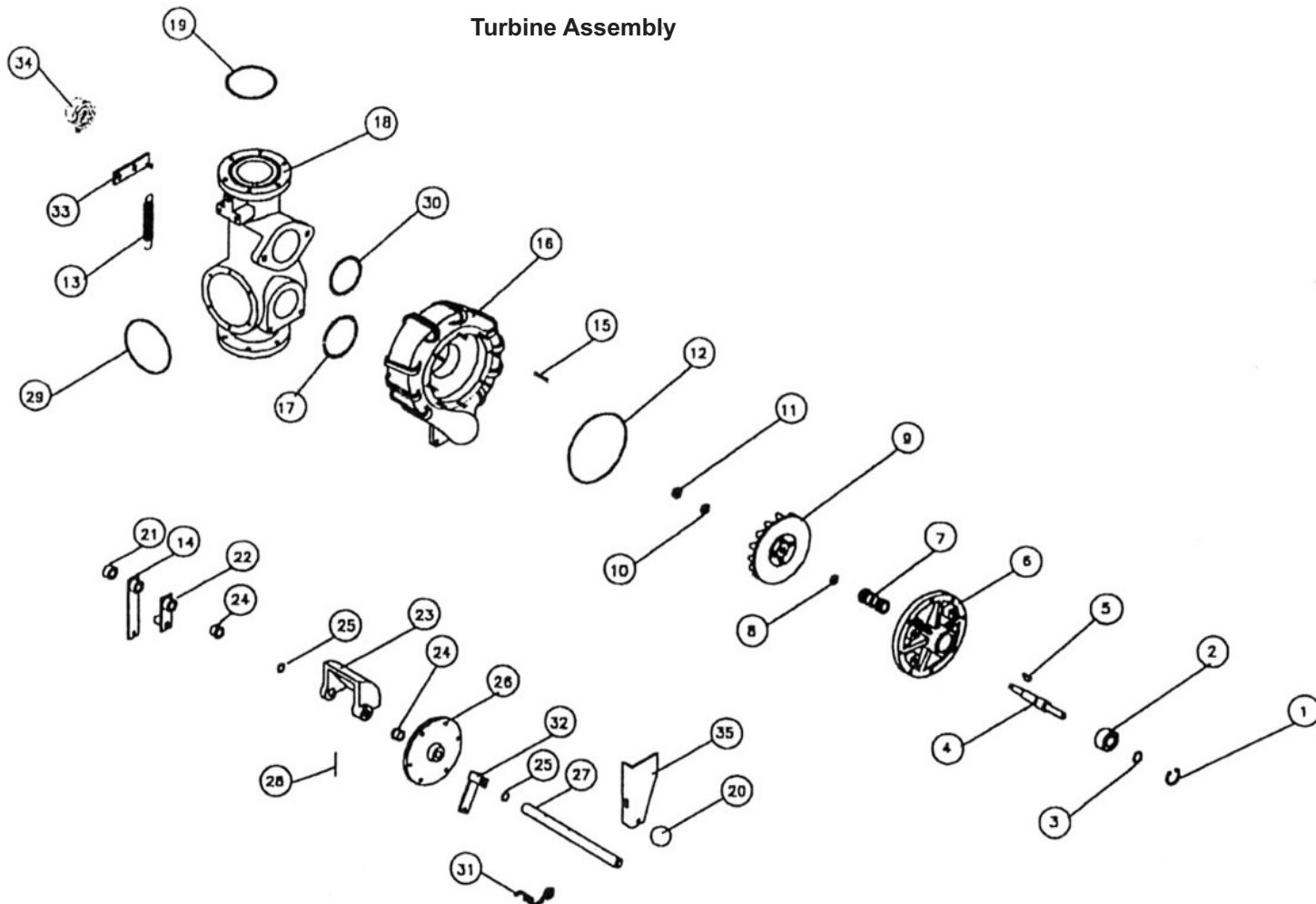
No.	Part Number	Description	Oty.
1A	02199477	FRAME,LEVELWIND58-3/4"OAL	1
1B	02201050	LEVELWIND ASSY, W/O DRIVE SPROCKET	1
2	02000153	HUB, SPROCKET	1
3	02000475	SPRKT,LVLWND IDLER 13T A1	1
4	55306280	BUSH,MACH 1-1/2X1X18GA	1
5	52662540	RING,RET EX	1
6	02000141	SUPPT,FORK	1
8A	02004607	FORK, 90MM - D2 (Model 30 - 90mm)	1
8B	02203850	FORK, 100MM - D2 (Model 33 - 100mm)	1
10	02000776	CLIP,RETAINING	1
11	02000496	LINK, HOSE GUIDE, ROUND END	1
12	02001141	CHAIN 5/8 METRIC ROLLER PER FT. (150 Rollers)	ft. 7.82
13A	02201240	SPRKT,.5X29TEETH (Model 30 - 90mm)	1
13B	02201250	SPROCKET .5 X 25 TOOTH (Model 33 - 100mm)	1
14	58902140	PIN,SPRING 7MM X 45MM	1
15	02000479	SPRKT,LVLWND DRIVER 13T 5/8"	1
16	02001085	GEARBOX,RIGHT ANGLE	1
18	55050010	Bolt, M8x25 mm	2
19	02000152	SCREW,12MMX25MM DOGPOINT(7.5MM DIA)	1
20	02001084	SPACER, GEARBOX - A-SERIES	4

Shield Group



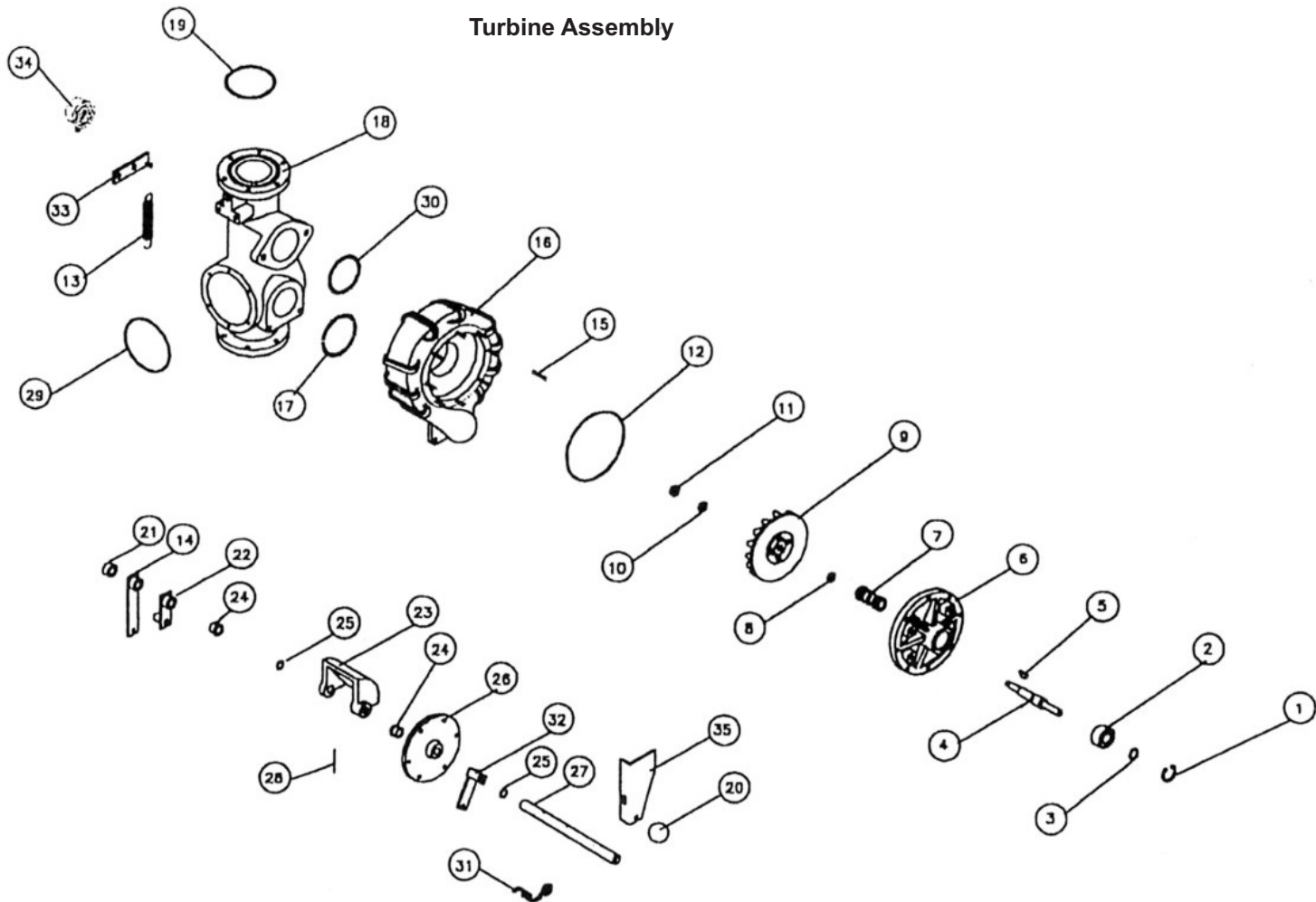
No.	Part Number	Description	Oty.
1	59404470	Hood Mt. Front	1
2	59404460	Hood Mt. Rear	1
3	02201220	SHIELD, LEVELWIND BOTTOM	1
4	59404580	Shield, Tach and Motor	1
5	59404340	GUARD, 30A	1
6	59405480	SHIELD TURB BELT	1
7	59405710	Bar	1
8	59405670	GUARD, 60-2 CHAIN 30,37,40	1
9	59500040	BRACE	1
10	59300390	SHIELD, 30 SPOOL	1
11	02201232	GUARD, LEVELWIND TOP - FG1	1

Turbine Assembly



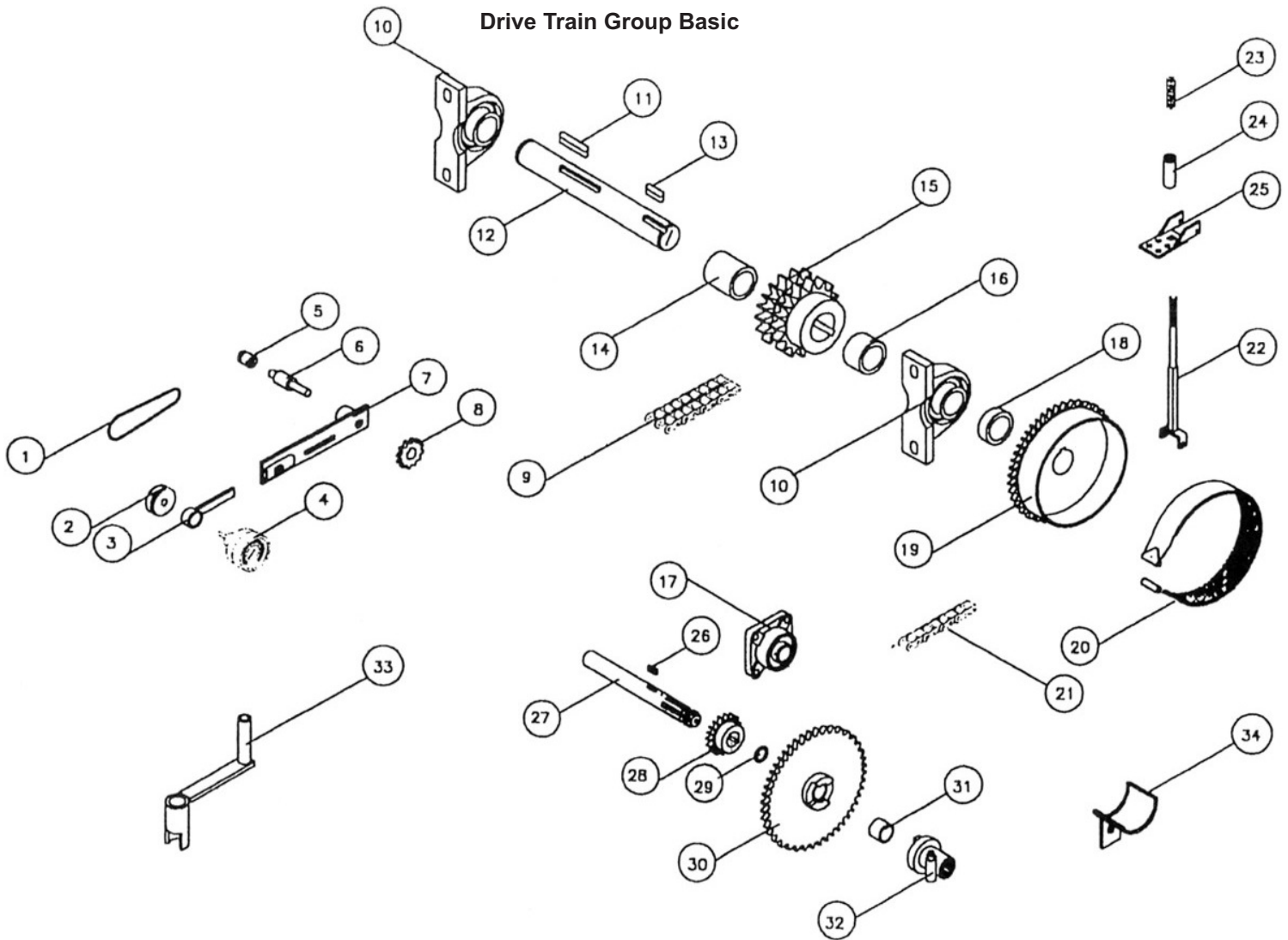
No.	Part Number	Description	Qty.
1	52662530	RING,RET IN	1
2	52663290	BEARING,DBL W5205-2RS .937	1
3	52662540	RING,RET EX	2
4	51648535	SHAFT,RNR LNG KW 6.9 OAL	1
5	58401120	KEY,WOODRUFF3/16X3/4NIALY	1
6	27733554	FACE PLATE 200/400 3/4SEA	1
7	58401111	SEAL,MECH 3/4"ID CERAMIC	1
8	58401130	BUSH,MACH 1X5/8X18GA	1
9	27733565	RUNNER, .9X 7.45 W/K.W.	1
10	58401140	BUSH,MACH 1X5/8X14GA	1
11	55248440	NUT,JAM NF 5/8 NYLON INSERT PLATED	1
12	46548510	O-RING 7-11/16X7-1/2X3/32	1
13	45035360	SPRING TNSN 1 X 6 PLATED	1
14	59403750	LEVER GATESHAFT	1
15a	55035390	STUD,SS 3/8-16X2-1/8 SPEC	8
15b	55448453	WASHER,LOCK SS 3/8	8
15c	55101733	NUT,SS 3/8	8
16	27748631	VOLUTE, PP200 (W/STUDS)	1
17	46548480	O-RING 4-5/8 X4-1/8 X1/4	1
18	27648512	DIVERTER,BTTM ENT 200/400	1
19	46546680	O-RING 5-1/8 X4-5/8 X1/4	1
20	30249150	KNOB,BALL 3/8-16 FEMALE THREADS	1

Turbine Assembly



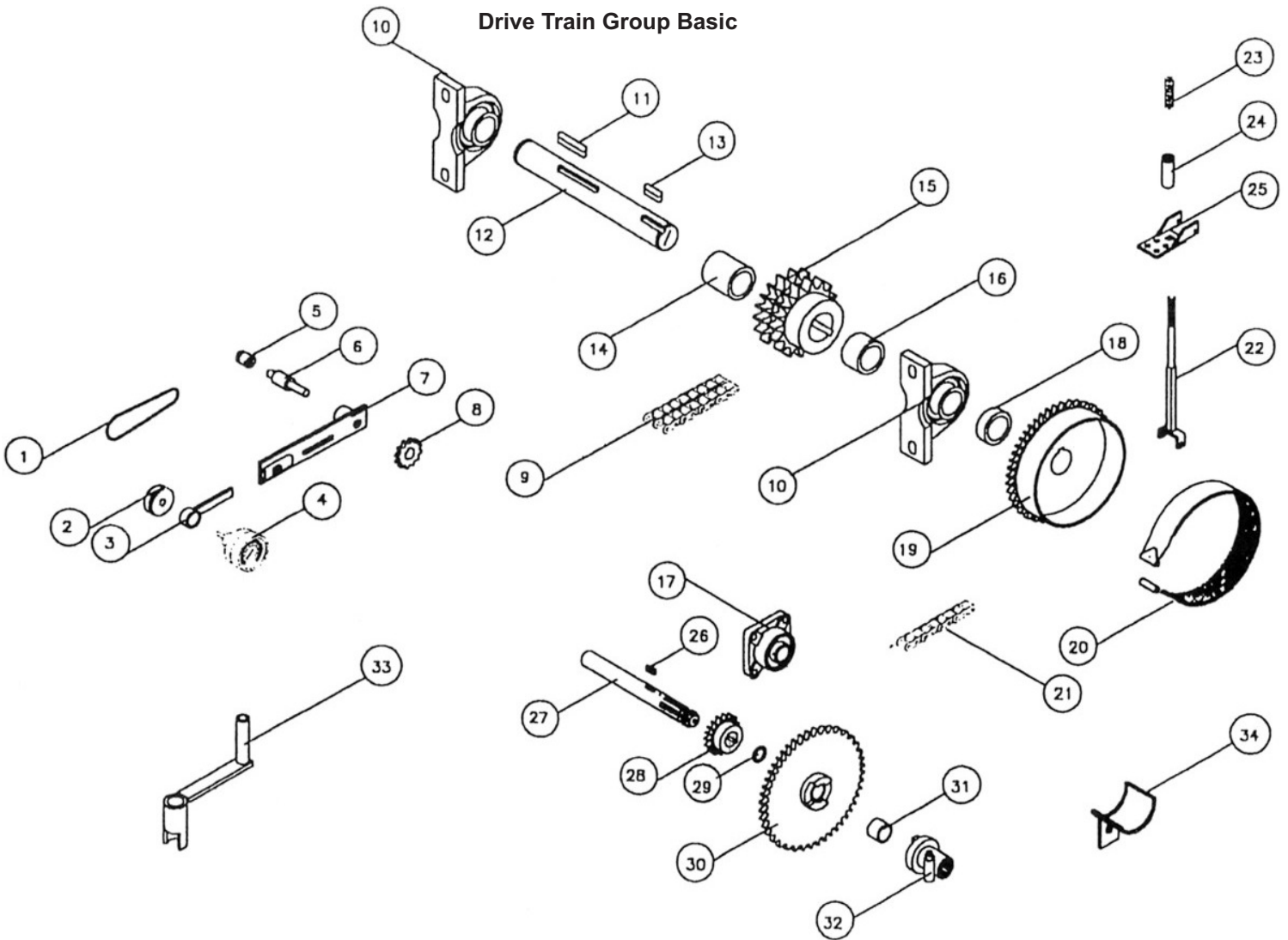
21	51348451	COLLAR,SET 3/4"	1
22	59403710	ARM COMP,GATE SHAFT	1
23	27734061	GATE, 200/400	2
24	51135100	BEARING,O FL .87X.75X.75 LNG	2
25	46534020	O-RING 7/8X3/4X1/16	1
26	27648471	PLATE,COVER 200/400	1
27a	99070271	KIT GATE SHAFT ABOVE 300,000	1
27b	99070272	KIT,GATE SHAFT BELOW 300,000	1
28	55636330	PIN,SPRING 7/32 X 1-1/2	1
29	46548500	O-RING 5-15/16X5-3/4X3/32	1
30	46548490	O-RING 4-1/4 X3-3/4 X1/4	1
31	59403140	STOP, GATE SHAFT	1
32	59500170	GATE SHAFT STOP	1
33	58506090	MOUNT,SPRING	1
34	58606750	GAUGE, PRESS 0-300	1
35	59403100	GATE SHAFT ARM	1

Drive Train Group Basic



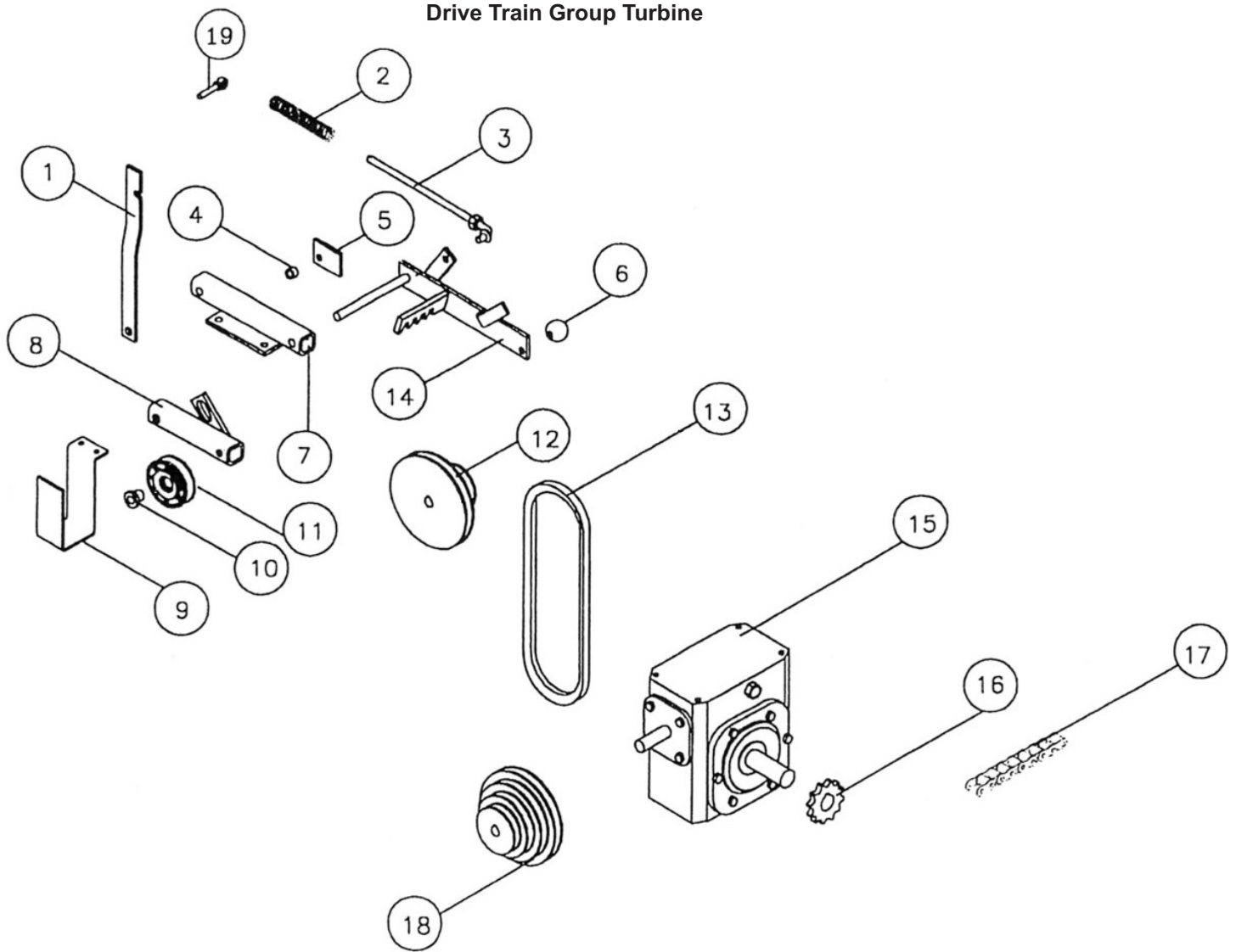
No.	Part Number	Description	Qty.
1	59406090	BELT,TACH 3MMX29.4 IN	1
2	59404410	PULLEY,TACH 2.31	1
3	59404400	MT,TACH	1
4	02201200	TACHOMETER ASM,0-400 FT/HR A SERIES	1
5	02201190	PULLEY,GREEN TACH .788	1
6	59502280	BEARING,TACH	1
7	59404370	MT,TACH & IDLER	1
8	88049311	SPRKT,50B10 5/8 BORE	1
9	87548471	CHAIN,#60-2DW RLLR PER FT	ft. 25
10	52651890	BEARING,PLLW BLCK 2-1/4"	1
11	52660710	KEY, 1/2 X 2 RD ENDS	1
12	59404150	JACKSHAFT	1
13	52660711	KEY 1/2 SQ X1-1/2 RD ENDS	1
14	59405811	TUBE 2.5 X 2.31 X 3.540	1
15	88048842	SPRKT,60-2B18 2-1/4B DBBL	1
16	59405812	TUBE 2.5 X 2.31 X 1.900	2
17	58408070	BEARING,FLANGE 4 HOLE 1-3/8	1
18	59405830	TUBE 2.5 X 2.31 X 1.190	1
19	59203051	Sprkt. Brake 60B54 2-1/4" Bore	1
20	59203080	BAND,BRAKE 10 IN	1
21a	87548460	CHAIN,#50 ROLLER PER FT	ft. 5.7
21b	87548470	CHAIN,#60 ROLLER PER FT	ft. 7

Drive Train Group Basic



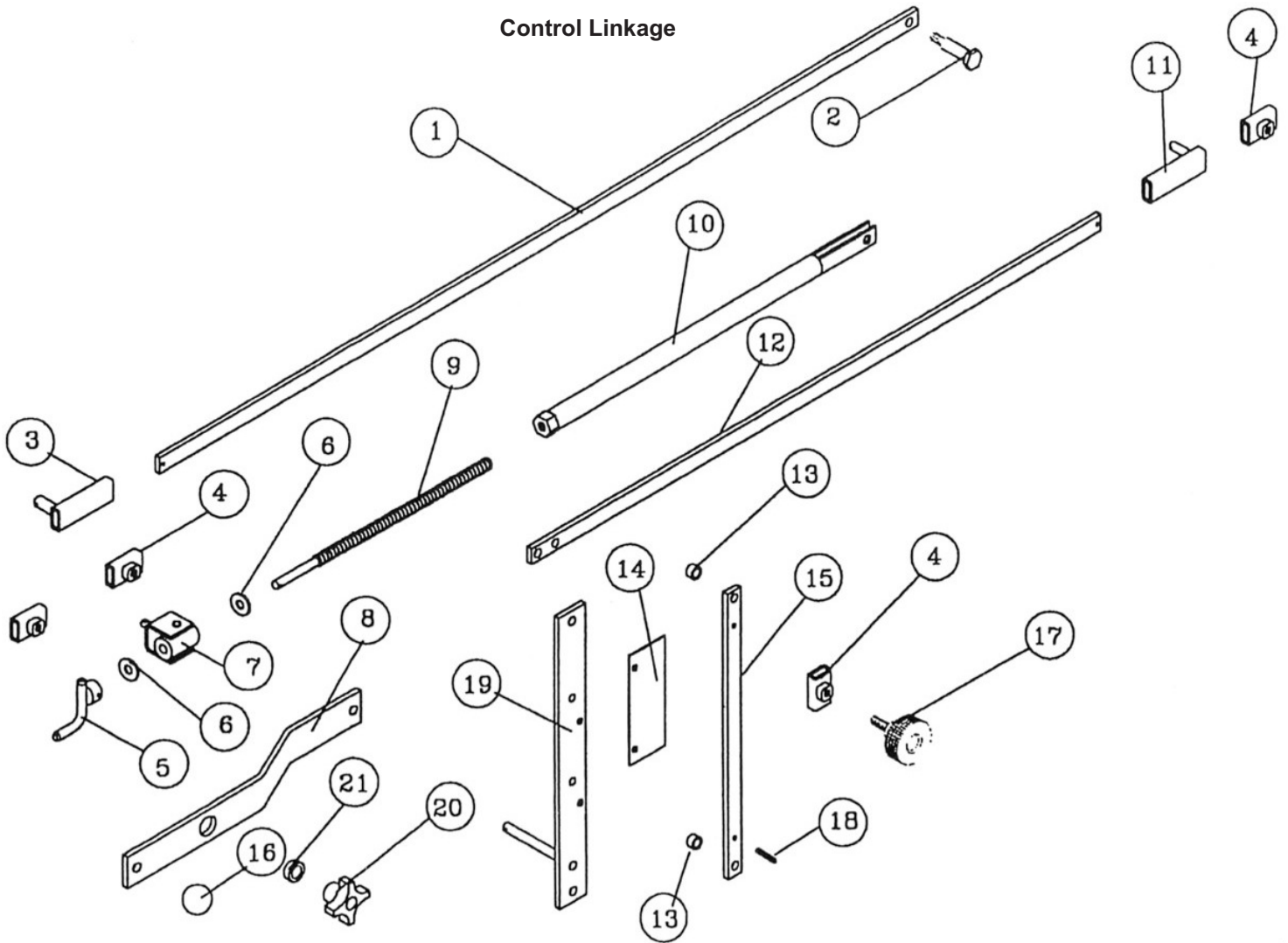
22	59203031	SPRING BOLT	1
23	45048580	SPRING,COMP 2-1/2X1/2ID PLTD	2
24	59203710	CAP	1
25	59203010	MOUNT,BRAKE	1
26	52657930	KEY, 5/16 X 1-1/2 RD ENDS	1
27	58405190	SHAFT,CLUTCH	1
28	58405240	SPRKT,60B14 1-3/8 BORE	1
29	52660820	BUSH,MACH 2-1/8X1-3/8X18	1
30	52651750	SPRKT,CLUTCH 50-54	1
31	52651770	BEARING,O 1.62X1.37X1.12LNG	1
32	52651840	CLUTCH,PTO SNAP	1
33	06000530	CRANK	1
34	58801111	IDLER	1

Drive Train Group Turbine



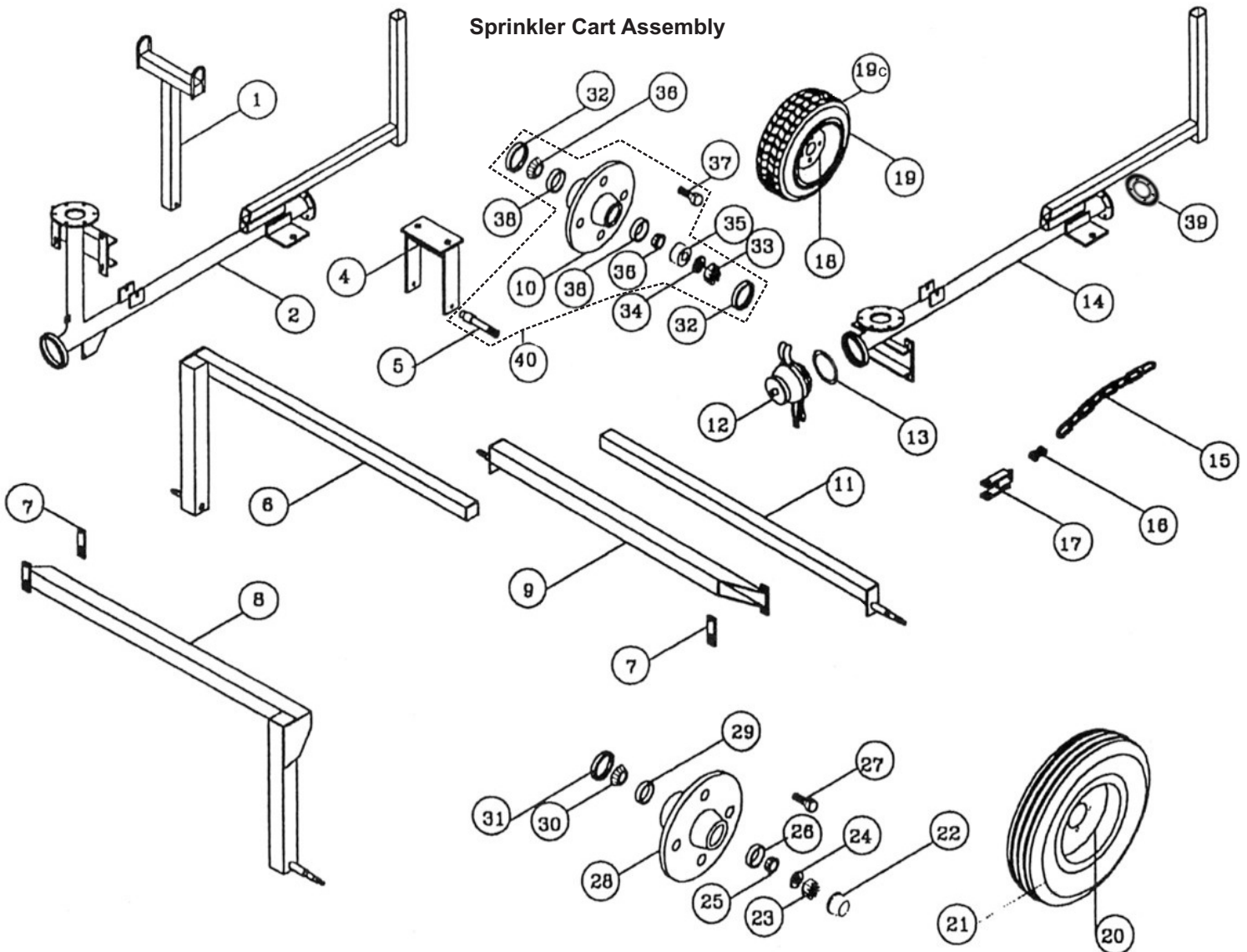
No.	Part Number	Description	Qty.
1	59405590	IDLER HOLD OUT	1
2	59502140	SPRING COMP	1
3	59405580	SPRING SLIDE	1
4	51248470	BUSH,STL .56X.40X.28L	2
5	59500150	STOP	1
6	30249150	KNOB,BALL 3/8-16 FEMALE THREADS	1
7	59405400	IDLER MT.	1
8	59405440	IDLER MOUNT	1
9	59500140	SHIELD	1
10	58606130	BUSH,SHOULDERSB0003 EFSON	1
11	58606120	PLY,IDLER W/O 1/2" SLEEVE	1
12	59405661	PLY,4 STEP 5/8" BORE	1
13	58801845	BELT,COG 4L43	1
14	59405570	IDLER LEVER	1
15	58802861	GEARBOX,WORM20-1ASYJ 726B	1
16	88003711	SPRKT,50B12 1-1/8 BORE	1
17	87548460	CHAIN,#50 ROLLER PER FT	5
18	59405665	PLY MACHINED	1
19	59500180	EYE,PIN	1

Control Linkage



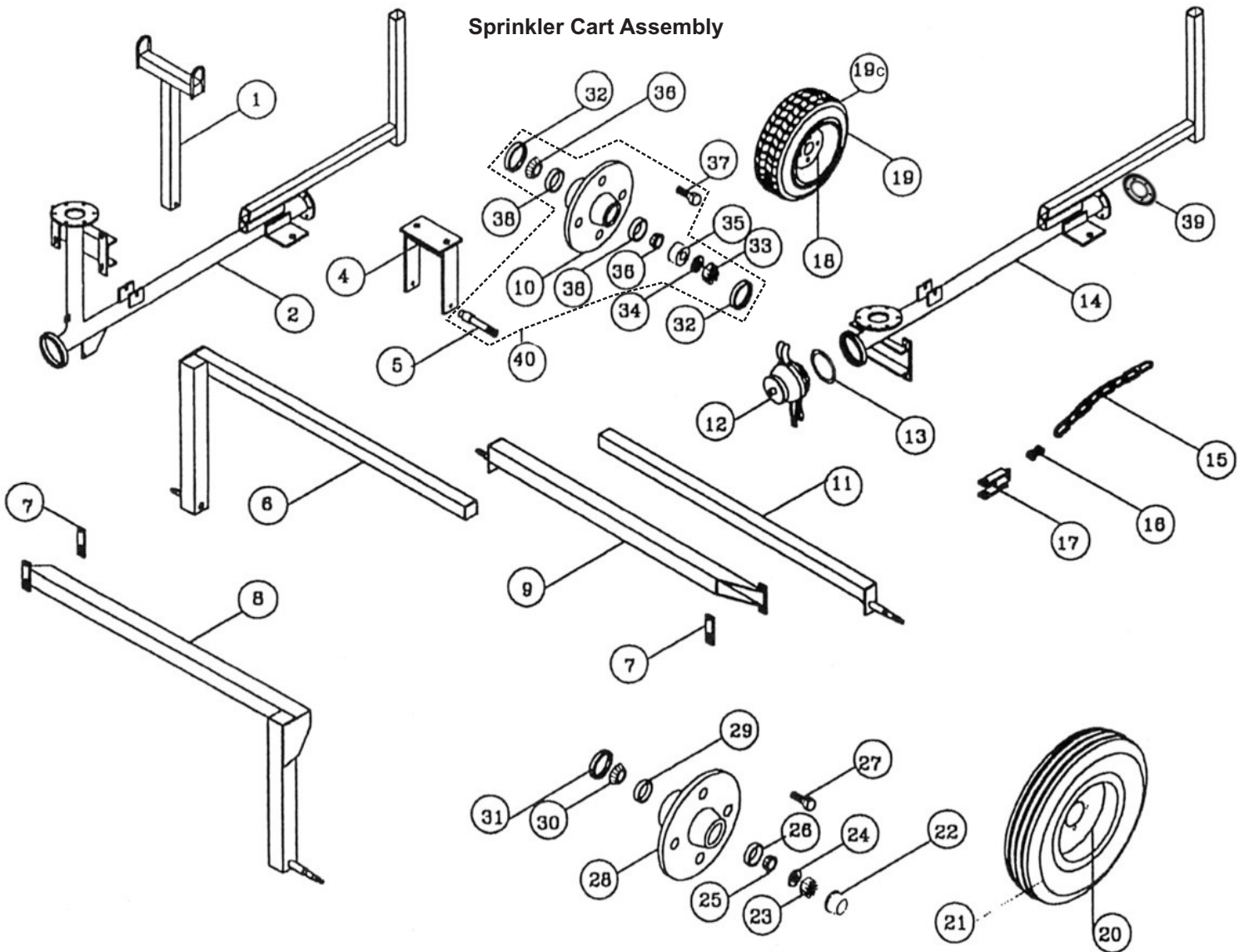
No.	Part Number	Description	Qty.
1	59404520	Link 42"	1
2	58700010	BOLT, SHOULDER 1-7/16	2
3	59404531	SLIDE W/1/2 PIN	1
4	59404480	SLIDE	3
5	58803090	HANDLE, CRANK	1
6	58506100	WASHER, NYLON 3/8	2
7	59500260	SWIVEL	1
8	59404510	Handle Link ADJ	1
9	58505650	SCREW	1
10	59403770	TUBE, COMP	1
11	59404530	SLIDE W/3/8 Pin	1
12	59500740	LINK, THROTTLE	1
13	51248470	BUSH, STL .56X.40X.28L	2
14	59501460	PLATE, DECAL	1
15	59404490	LINK	1
16	30249150	KNOB, BALL 3/8-16 FEMALE THREADS	1
17	50100050	KNOB, STAR 3/8-16 X 1" MALE	1
18	58505911	PIN, SPRING 5/32 X 3/4	2
19	59404500	ARM	1
20	40248530	KNOB, 1/2 IN. INTRNL THD	1
21	59000260	SPACER	1

Sprinkler Cart Assembly



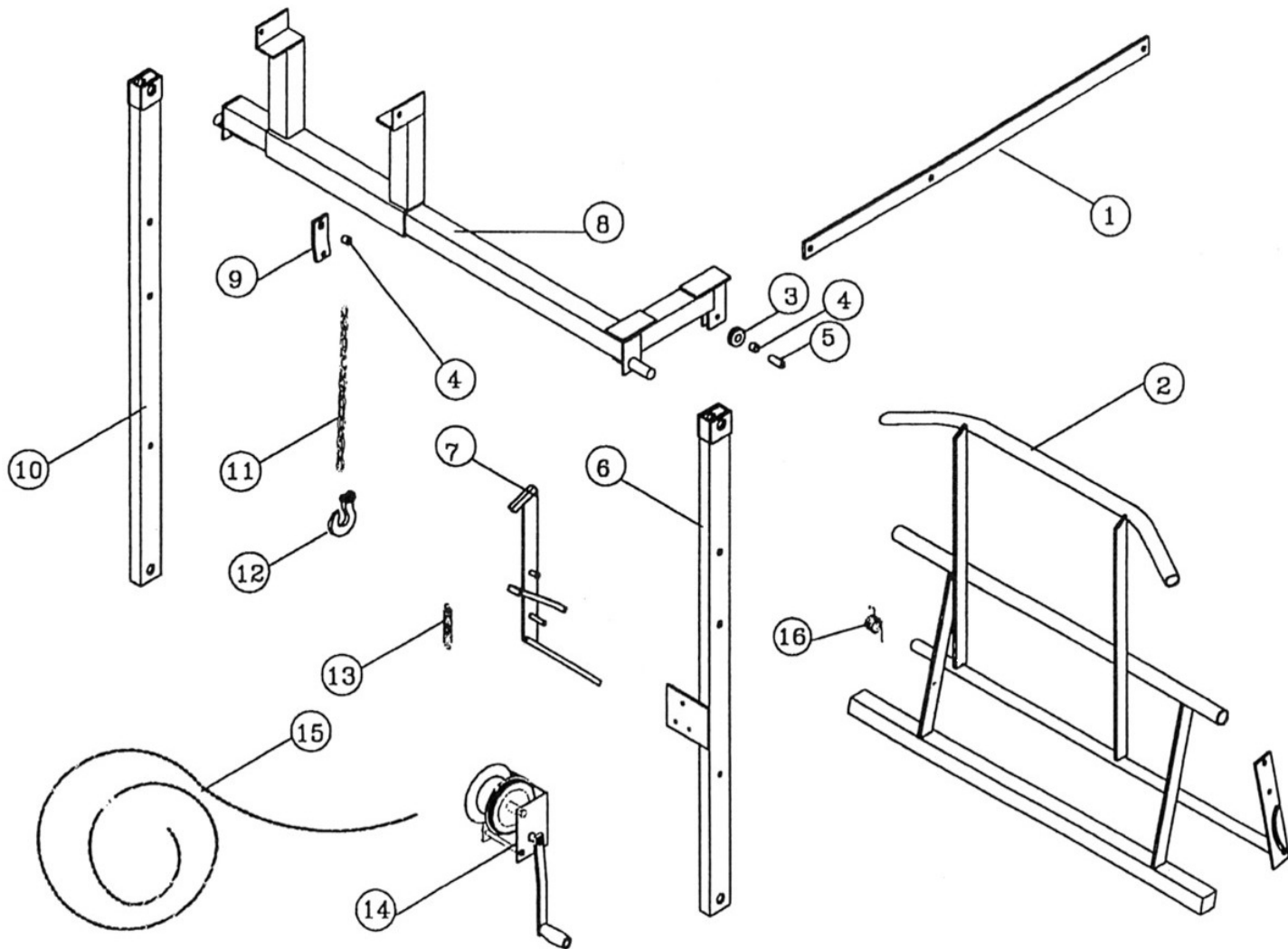
No.	Part Number	Description	Qty.
1	59100031	BAIL,LIFT	1
2	59403820	Body, Guncart 30 High	1
4	59500030	YOKE FRONT GUNCART	1
5	06010199	AXLE,FRONT	1
6	59405630	Leg Inner High	1
7	59406030	STRAP,CLAMP	2
8	59405640	Leg Outer High	1
9	59405641	LEG,OUTER 30 LOW	1
10	58803564	HUB,WITH RACES ONLY W440	1
11	59405631	LEG,INNER 30 LOW	1
12	59406100	PLUG,GUNCART	1
13	58800233	SEAL RING 4" 6-3/8 OD X 9/16	2
14	59403823	BODY,GUNCART 30 LOW	1
15	85040600	CHAIN,3/8 PROOF COIL PLTD	ft. 3
16	52353941	CLEVIS,DBL CMBL 542-3301	2
17	52354210	HITCH, CHAIN	1
18	59302640	WHEEL,8X5.75 4BOLT 4BCD	1
19A	59302650	TIRE,16X6.5X8 4 PLY	1
19B	59302651	TUBE,INNER 16X6:50X8	1
19C	59506060	WHEEL&TIRE,16X6:50X8 4PG	1
20	50201740	WHEEL&TIRE ASSY 6.70X15 5"BCD4BOLT	2

Sprinkler Cart Assembly



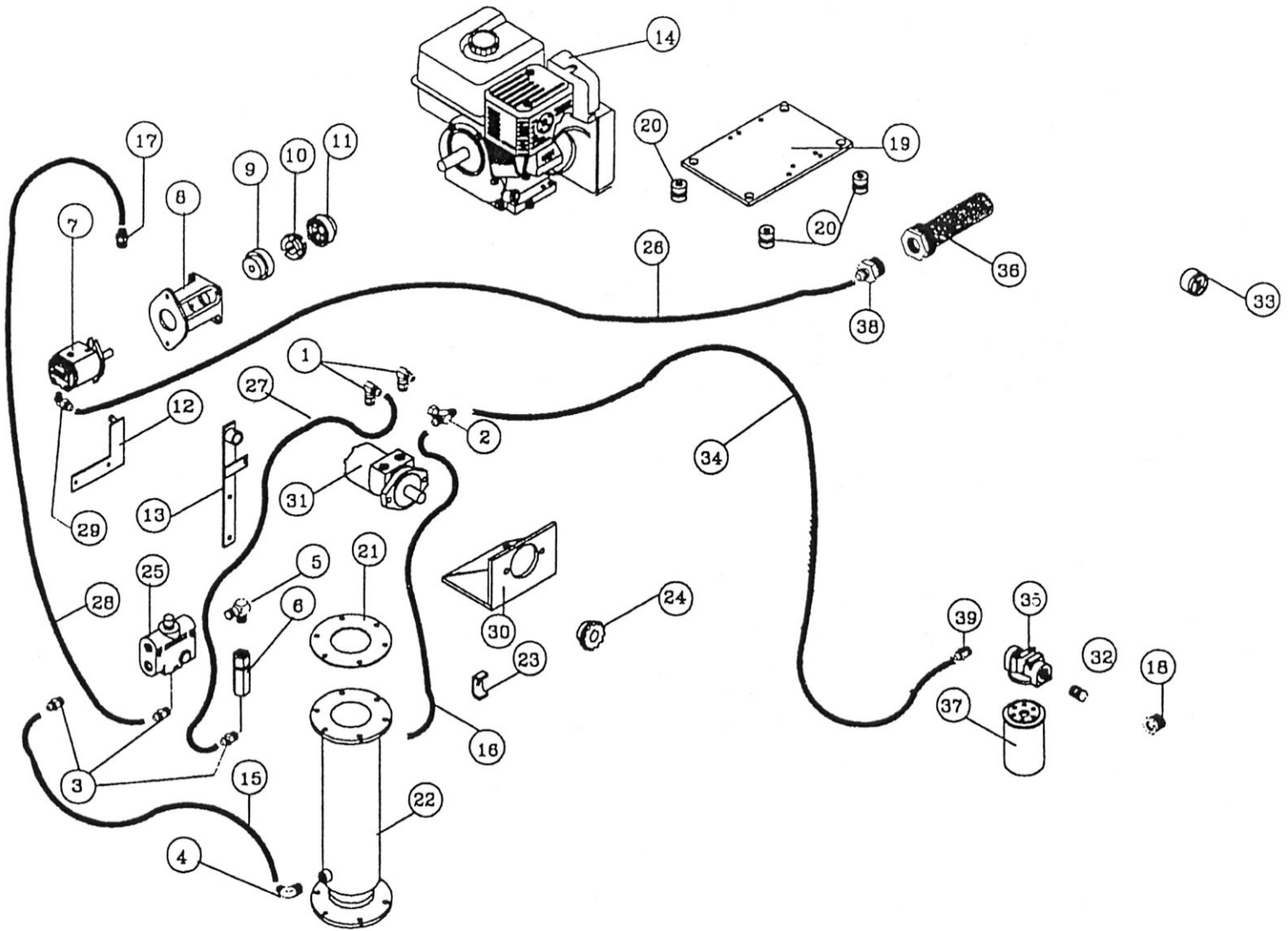
21A	22702560	TIRE,6.70X15 4 PLY	2
21B	22702561	TUBE,INNER 5:90 & 6.70X15	2
22	22709360	CAP,HUB	2
23	55209440	NUT,SLOTTED NF 5/8	2
24	55306280	BUSH,MACH 1-1/2X1X18GA	2
25	51509420	BEARING,TIMKEN LM11949	2
26	51009410	RACE,OUTER LM11910	2
27	58900630	Bolt Wilton 9435491	8
28	58900650	HUB,WITH CUPS ONLY W633	2
29	51009400	RACE,LM67010	2
30	51509390	BEARING,TIMKEN LM67048	2
31	58900660	SEAL,CR14975	2
32	58803565	SEAL,CR12437	2
33	55116020	NUT,SLOTTED NF 1"	1
34	58803577	Washer, Wilton 913535	2
35	06002450	SLEEVE	1
36	58803563	BEARING,TIMKEN L44643	2
37	58803560	BOLT,LUG WILT 913535	4
38	50702930	KIT, CUP AND CONE SET	2
39	02099202	GASKET, 5.75"BCD 4.3 ID	1
40	59503820	HUB & AXLE ASSM GUNCART40	1

Sprinkler Cart Lift Assm. & Shut Off Bar



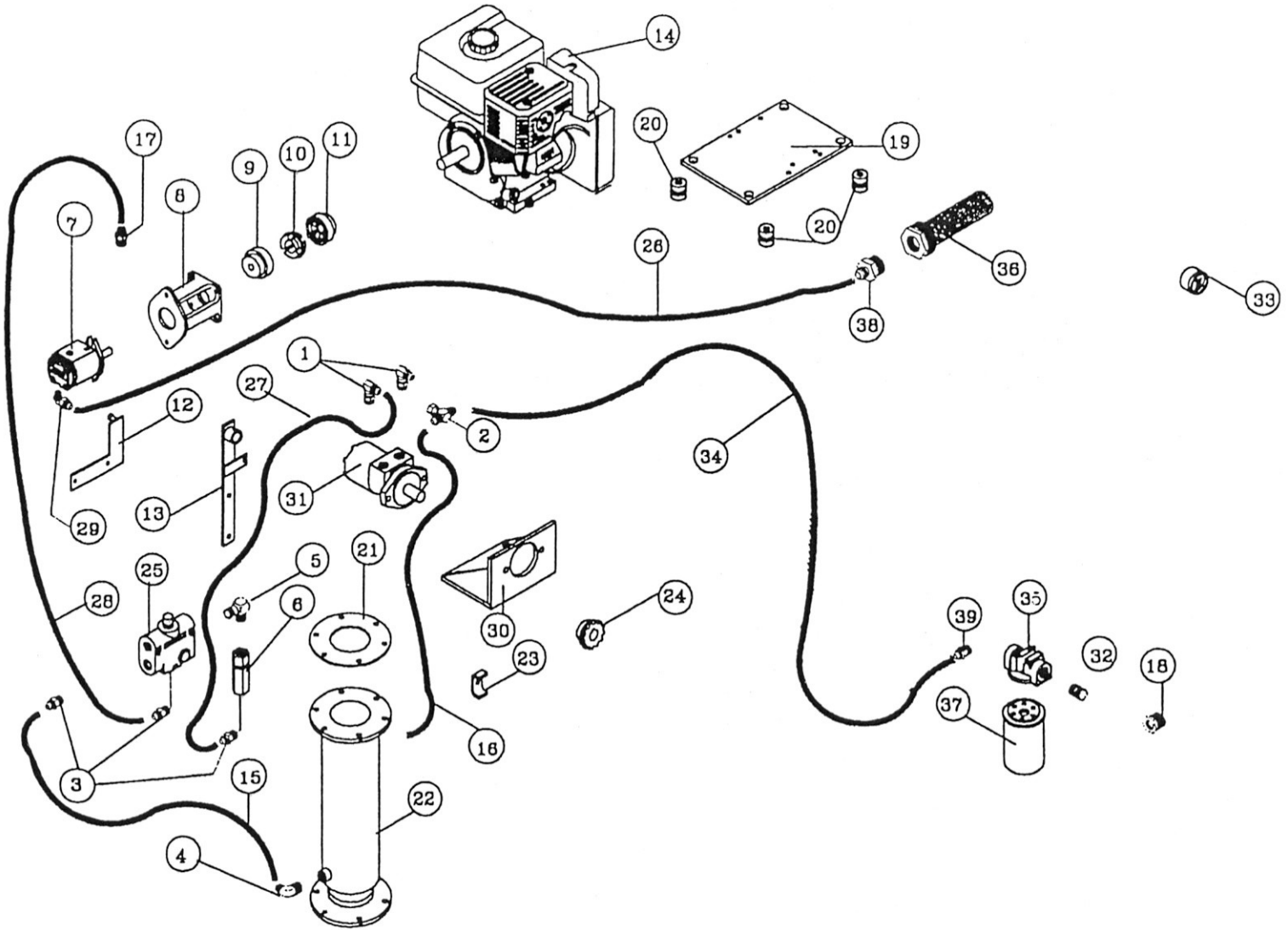
No.	Part Number	Description	Oty.
1	59405080	Brace, Boom 30	2
2	59403620	SHUT OFF BAR 30	1
3	40249060	PLLY,WRP17/32X2X7/8B STL	1
4	32551910	BUSH,STL.843X.56X.62L	1
5	59500540	BUSH,STL 3/4X.51X1.75L	1
6	59403390	Arm, Lift Right	1
7	59404760	BOOM,CATCH	1
8	59403490	BOOM,LIFT ASSY	1
9	59500730	LINK,BOOM CHAIN	2
10	59403360	Arm, Lift Left	1
11	85040600	CHAIN,3/8 PROOF COIL PLTD	ft. 4.7
12	52355650	HOOK,CLEVIS SLIP 3/8 ZN	2
13	45035360	SPRING TNSN 1 X 6 PLATED	1
14A	40048551	WINCH FULTON K 1550	1
14B	59500320	WINCH,750KG TROLLEY LIFT	1
15	75048440	CABLE,1/4-7X19 GAC PER FT	ft. 12
16	02200166	SPRING, COIL - SHUT OFF	2

Engine Drive Assm.



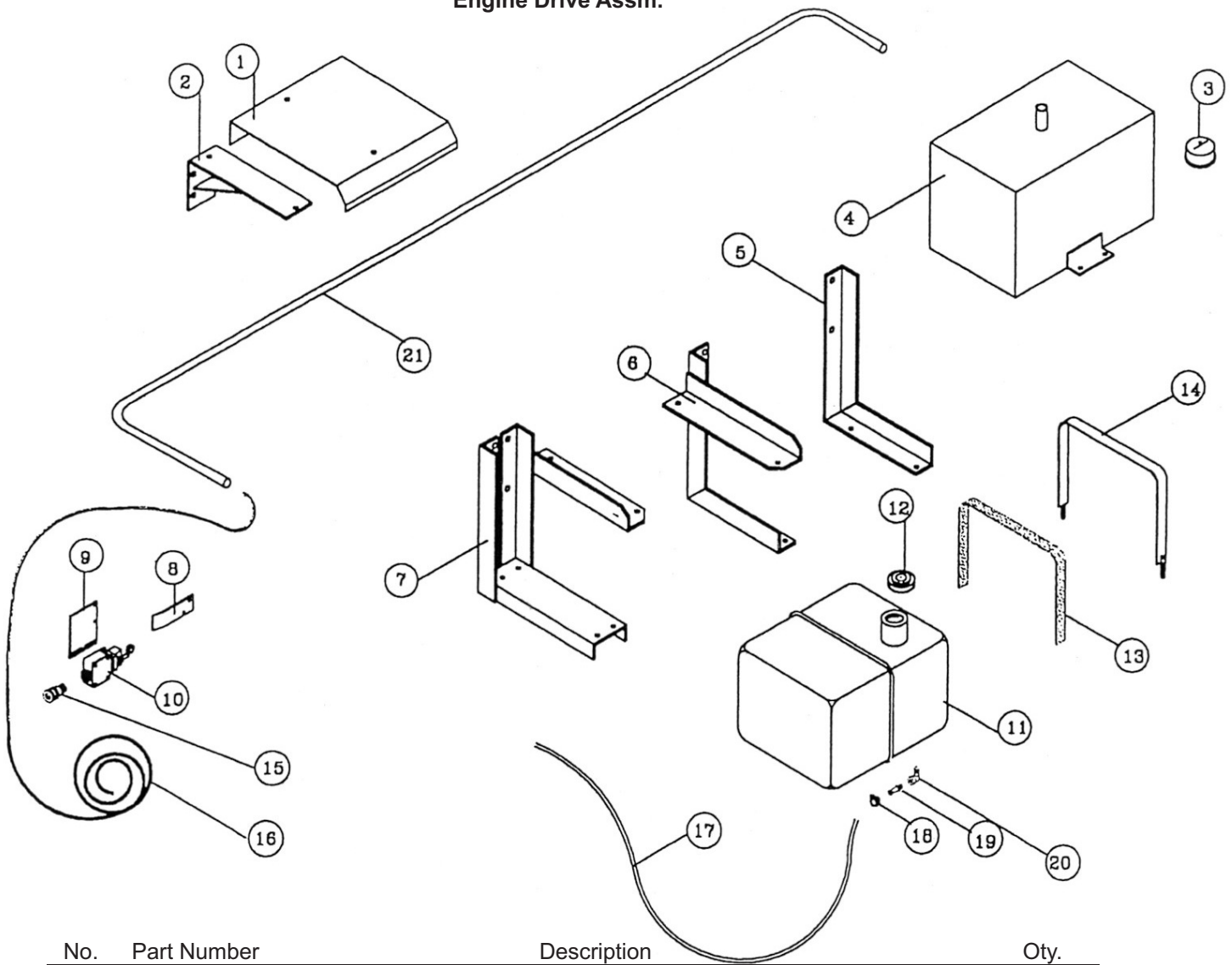
No.	Part Number	Description	Qty.
1	59501160	ADPTR,8MJICX10MSAE-90 DEG	2
2	59501200	ADPTR,8MJICX8FJIC-SWX8MJI	1
3	59501210	ADPTR,8MJICX1/2MNPT	5
4	59501220	ADPTR,8MJICX1/2MNPTX90DEG	1
5	59501150	ADPTR,1/2MNPTX1/2MNPTX90	1
6	59501000	VALVE,HYD CHECK	1
7	59501270	PUMP,HYDRAULIC 4	1
8	59501320	ADPTR,FLANGE,PUMP-ENG4&5.5	1
9	59501310	CPLNG,HALF PUMP 1/2" BORE	1
10	59501030	CPLNG,RUBBER 25 THROUGH40	1
11	59501300	CPLNG,HALF ENG 3/4" BORE	1
12	59404660	MT,SPRING	1
13	59404560	ARM	1
14	58407015	ENGINE,B&S VANGUARD 5.5HP K.S.	1
15	59501100	HOSE,8FJICX8FJIC90.3 12.5	1
16	59501110	HOSE,8FJICX8FJIC90 3/8 22	1
17	59501340	ADPTR,8MJICX6SAE	1
18	52501610	BSHNG,RDCNG STEEL (PLTD) 1X3/4	1
19	59500330	BASE ENGINE 30	1
20	59404260	DAMPENER,MOTOR MT.	4
21	59001700	GASKET 6.12 BCD	2
22	59403570	COOLER,HYD OIL	11

Engine Drive Assm.



No.	Part Number	Description	
23	59404170	CLAMP,HYD HOSE	1
24	88003710	SPRKT,50B12 1 BORE	1
25	59501290	CONTROL,FLOW 4GPM	1
26	59501370	HOSE,10FJICX12FJIC90.7 21	1
27	59501090	HOSE,8FJICX8FJIC 3/8X17.5	1
28	59501360	HOSE,8FJICX8FJIC 90.37 99	1
29	59501330	ADPTR,10MJICX8M O-RING 90	1
30	59403041	Mt. Motor Hyd	1
31	59501280	MOTOR,HYDRAULIC 4	1
32	52501600	NPPL,CLOSE GLV 3/4	1
33	59501080	GAUGE,OIL FILTER	1
34	59501350	HOSE,8FJICX8FJIC90 3/8 68	1
35	59501060	HEAD,OIL FILTER	1
36	59500800	FILTER HYD. OIL	1
37	59501070	FILTER,SPIN HYD OIL	1
38	59501180	ADPTR,12MJICX1-1/4MNPT	1
39	59501230	ADPTR,8MJICX3/4MNPT	1

Engine Drive Assm.



No.	Part Number	Description	Oty.
1	59404080	Shield, Motor Top	1
2	59404051	Brkt., Shield	1
3	59501240	CAP,TANK-OIL	1
4	58600481	TANK,OIL 7 GAL	1
5	59403501	Mt., Engine Left	1
6	59403500	Mt., Engine Right	1
7	59403670	Mt., Oil Tank	1
8	59500080	RAMP,SHUT OFF	1
9	59404680	Switch Mt.	1
10	52662152	SWITCH BODY & ROTARY HEAD	1
11	58406930	TANK,FUEL&CAP 5.3GAL	1
12	58406939	CAP,TANK-5.3 GAL GAS	1
13	58701670	BELTING,NEOP 5 PLY 1 IN	ft. 6.5
14	58406210	STRAP, GAS TANK	2
15	52662170	GROMMET,CMPRSSN 1/2 NPT	1
16	58406700	WIRE,ELECT.3 WIRE 14 GA	ft. 12
17	58406952	HOSE,GAS 3/8	ft. 2
18	56048450	CLAMP,SCREW 7/32X5/8	2
19	52548761	BARB,1/8"NPT X 3/8" HOSE	1
20	52540340	ELBW,STRT GLV 1/8X90DEG	1
21	59404690	Tube, Wire	1