



---

**Turbine Drive Water-Reels®  
Engine Drive Slurry-Reels**

---

30/33A & 30LP  
(D2)

# Parts Manual

Serial No. 340,000 - 349,999



**AG-RAIN®**

700 S. Schrader Ave.  
Havana, Illinois 62644  
Phone: 309-543-4425 Fax 309-543-4945

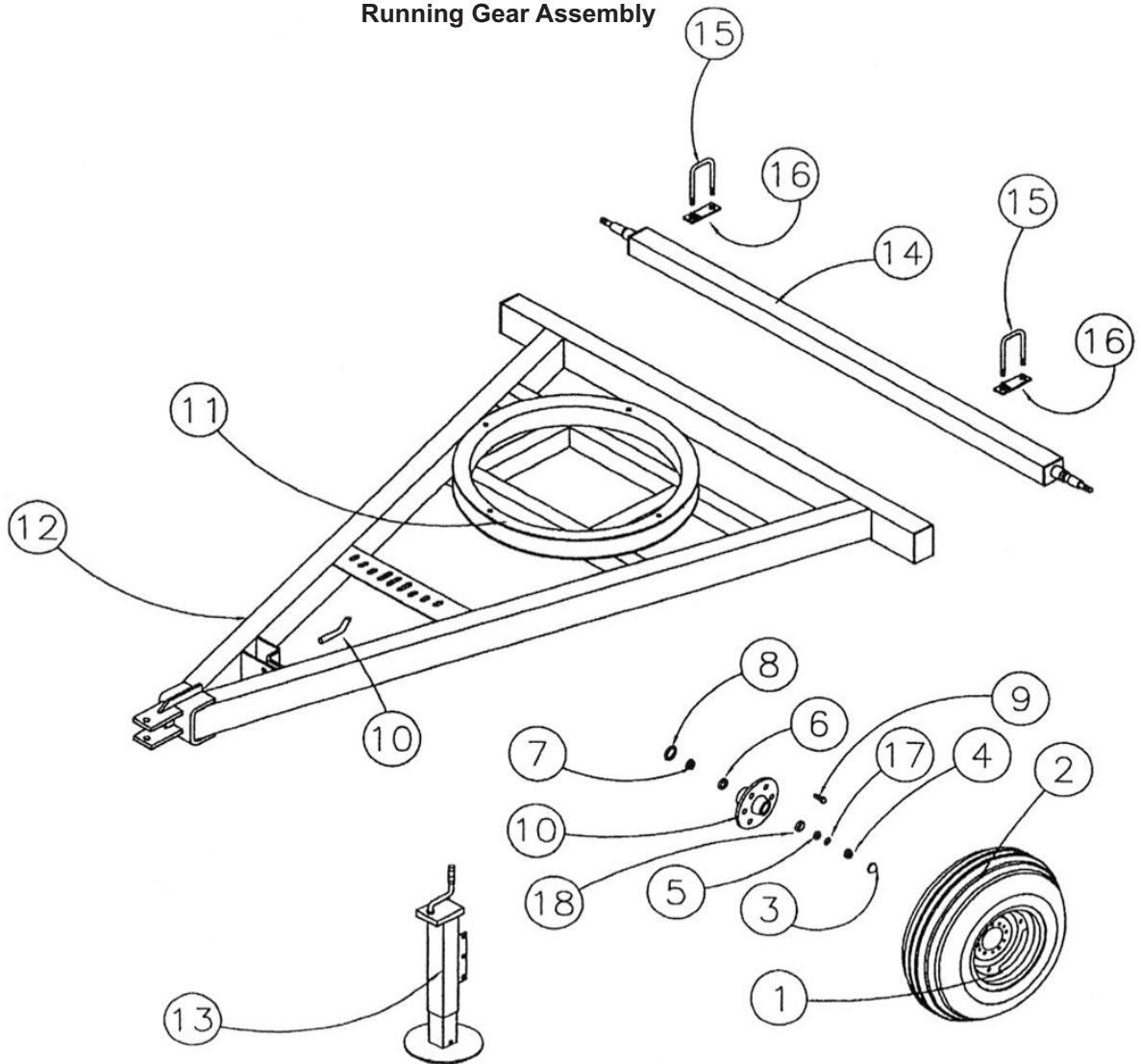
## Table Of Contents

<b>Assembly</b>	<b>Page</b>
Running Gear Assembly	3
Cradle Assembly	4-5
Spool Assembly	6-7
Levelwind Assembly	8
Boom Assembly For 30LP	9
Boom Assembly & Shutoff For 30A/33A	10
Shield Group	11
Turbine Assembly T-100	12-14
Turbine Assembly T-200	15-17
Gearbox R93	18-19
Drive Train Group	20-21
Sprinkler Cart Assembly 30LP	22
Sprinkler Cart Assembly 30A, 33A	23-24
Mechanical Engine Drive	25-26
Hydraulic Circuit	27-28
Engine Drive Assembly	29-31

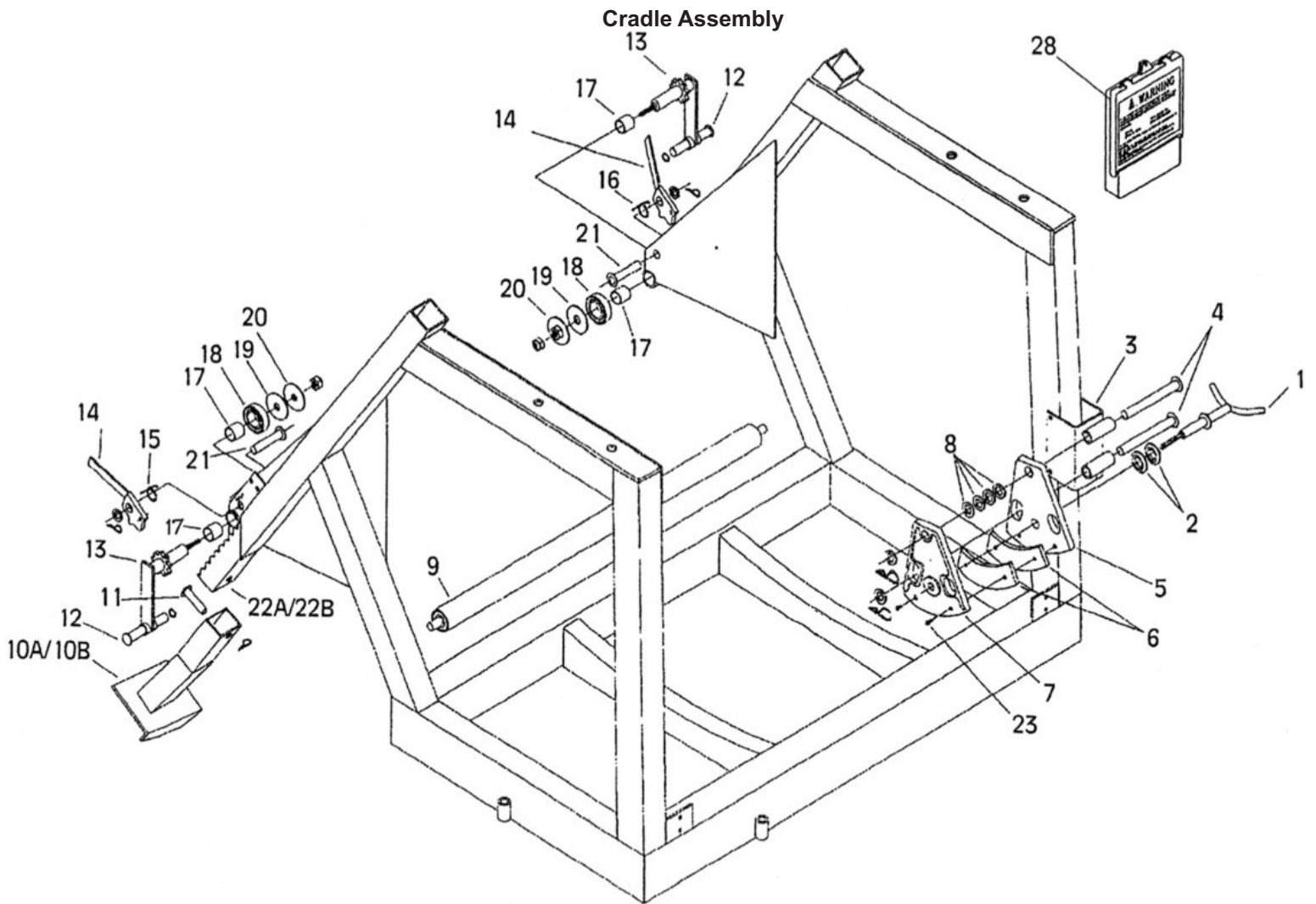
For Parts that are described as "Left" or "Right" the water inlet side of the machine is considered the right side

Items Such as common fasteners, grease fitting, and other small parts easy to acquire locally are not listed.

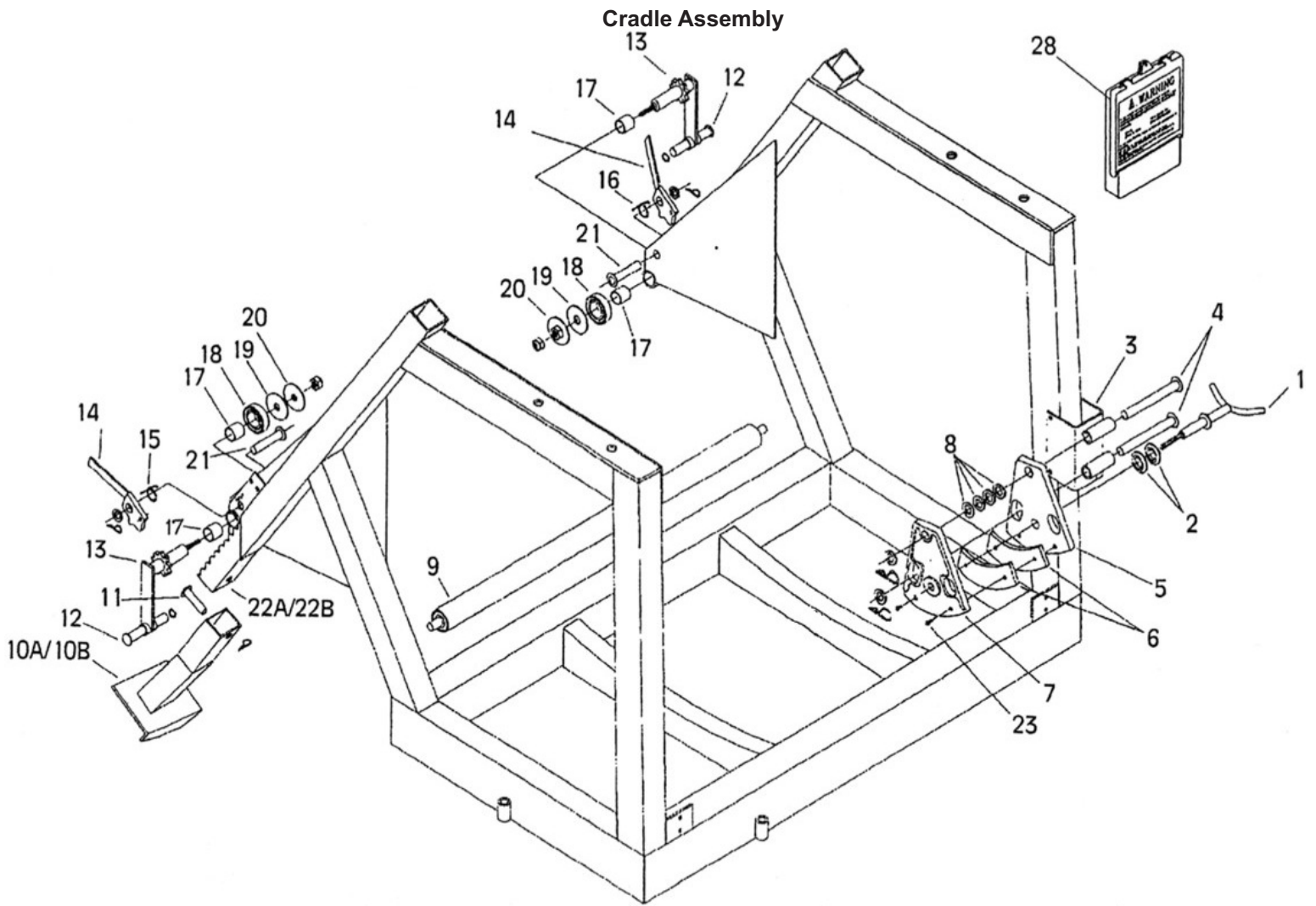
## Running Gear Assembly



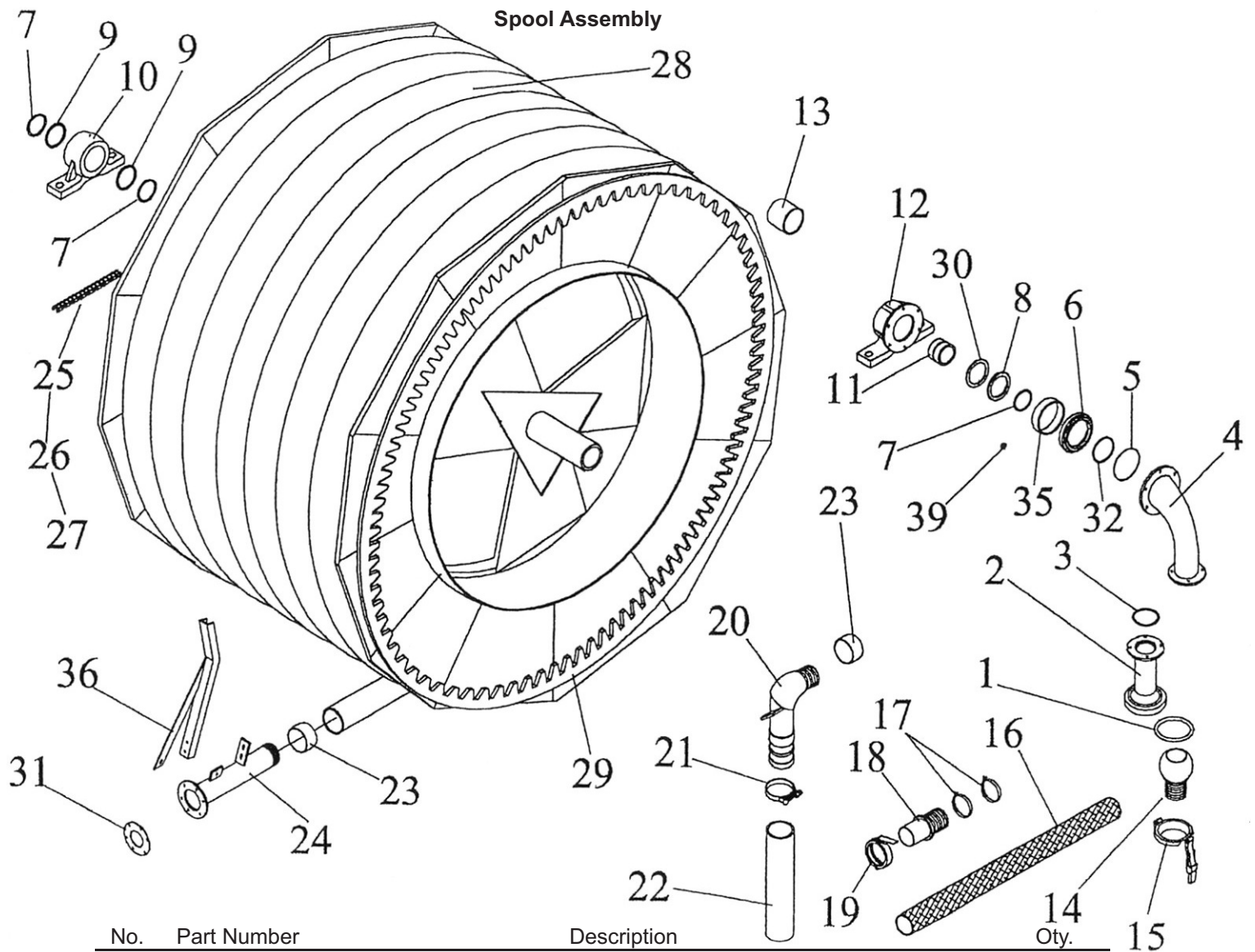
No.	Part Number	Description	Qty.
1	02208170	WHEEL 7:00 X 12	2
2	02208180	TIRE, 10:0/80 X 12	2
3	02208200	HUB CAP	2
4	02208190	NUT 24-1.5mm	2
5	02208210	BEARING, OUTER 30206A URB SZ	2
6	02208220	RACE, INNER 30209A	2
7	02208230	BEARING, INNER	2
8	02208240	SEAL	2
9	02208250	LUG NUT 16-1.5mm	10
10	02208260	HUB	2
11	02099636	BEARING, TURNTABLE D2	1
12	02208270	FRAME, D2 Chassis	1
13	02208280	JACK	1
14	02208290	AXLE	1
15	02208300	U-BOLT	2
16	02208310	CLAMP PLATE	2
17	02208330	WASHER	2
18	02208320	RACE, OUTER 30205A	2



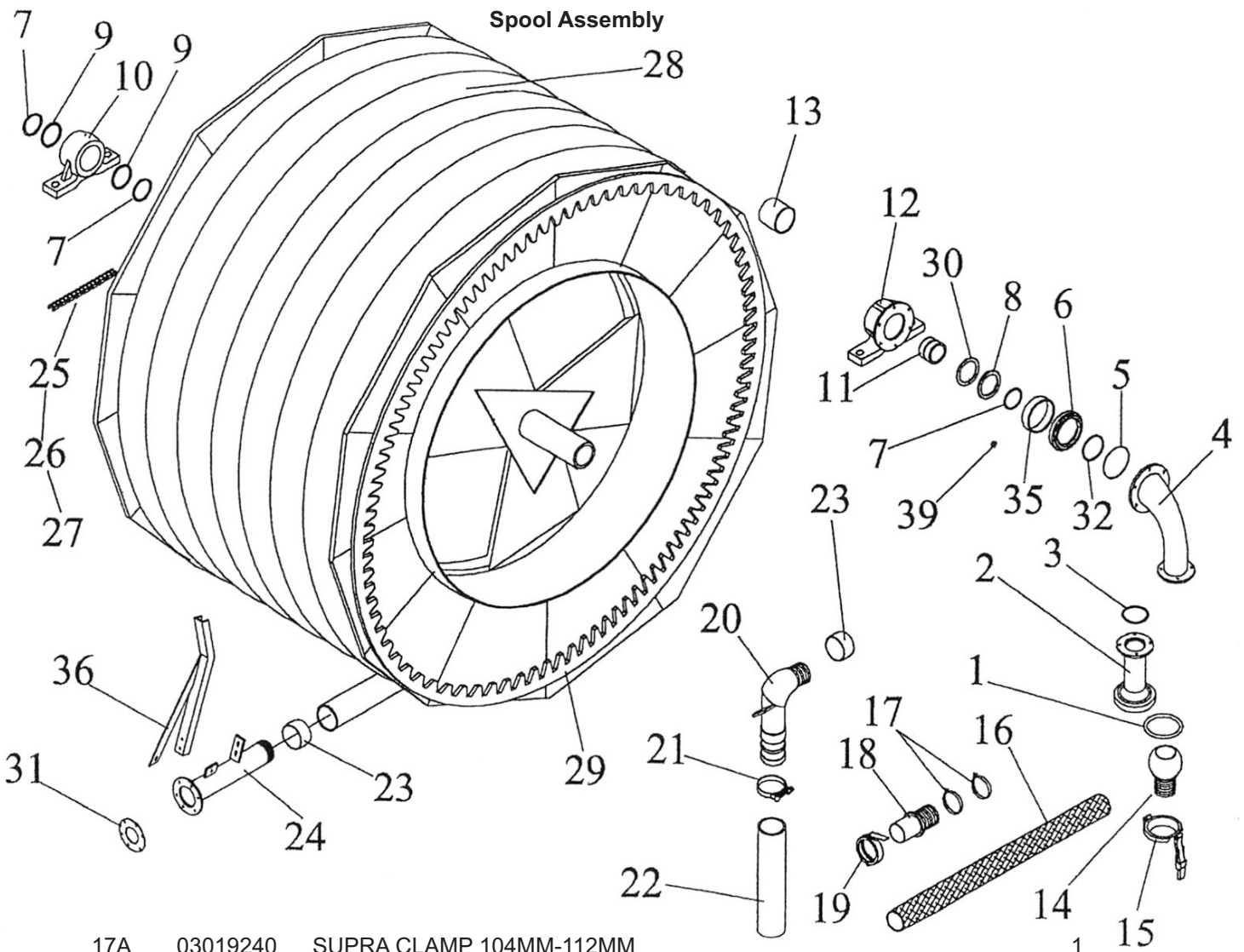
No.	Part Number	Description	Qty.
1	02201590	SCREW,BRAKE CONTROL	1
2	02201560	WASHER,BRAKE SPRING	2
3	02205270	BRAKE MT. ( D2 )	1
4	02201601	PIN, BRAKE	2
5	02201581	BRAKE PLATE	1
6	02204540	SLIDE (BRAKE PAD)	2
7	02201571	BRAKE PLATE, THREADED	1
8	55324130	WASHER, 3/4 FLAT USS	4
9	02010410	ROLLER, HORIZONTAL (D2 & A1)	1
10A	02200270	FOOT,STABILIZER CHAIN SIDE 30	1
10B	02200280	FOOT,STABILIZER TURBINE SIDE 30	1
11	02205760	PIN	2
12	02099048	HANDLE	2
13	02099578	CRANK, 30	2
14	02010127	PAWL	2
15	02010128	SPRING,RIGHT TORSION	1
16	02010135	SPRING,LEFT TORSION	1
17	02099056	BEARING,BRZ	2
18	02099059	SPRING, RUBBER STABILIZER	2
19	02099049	WASHER	2



20	02099058	NUT	2
21	02010129	PIN .55 X 3.37 OAL	2
22A	02200300	LEG, STABILIZER LEFT - D2	1
22B	02200290	LEG, STABILIZER RIGHT - D2	1
23	55070100	BOLT,8-1.25MM X 20 BR	4
28	59701191	OPERATOR MANUAL HOLDER	1
28A	59900640	OPERATOR MANUAL BRACKET (NOT SHOWN)	1
29	02204790	PTO REWIND CRANK (NOT SHOWN)	1

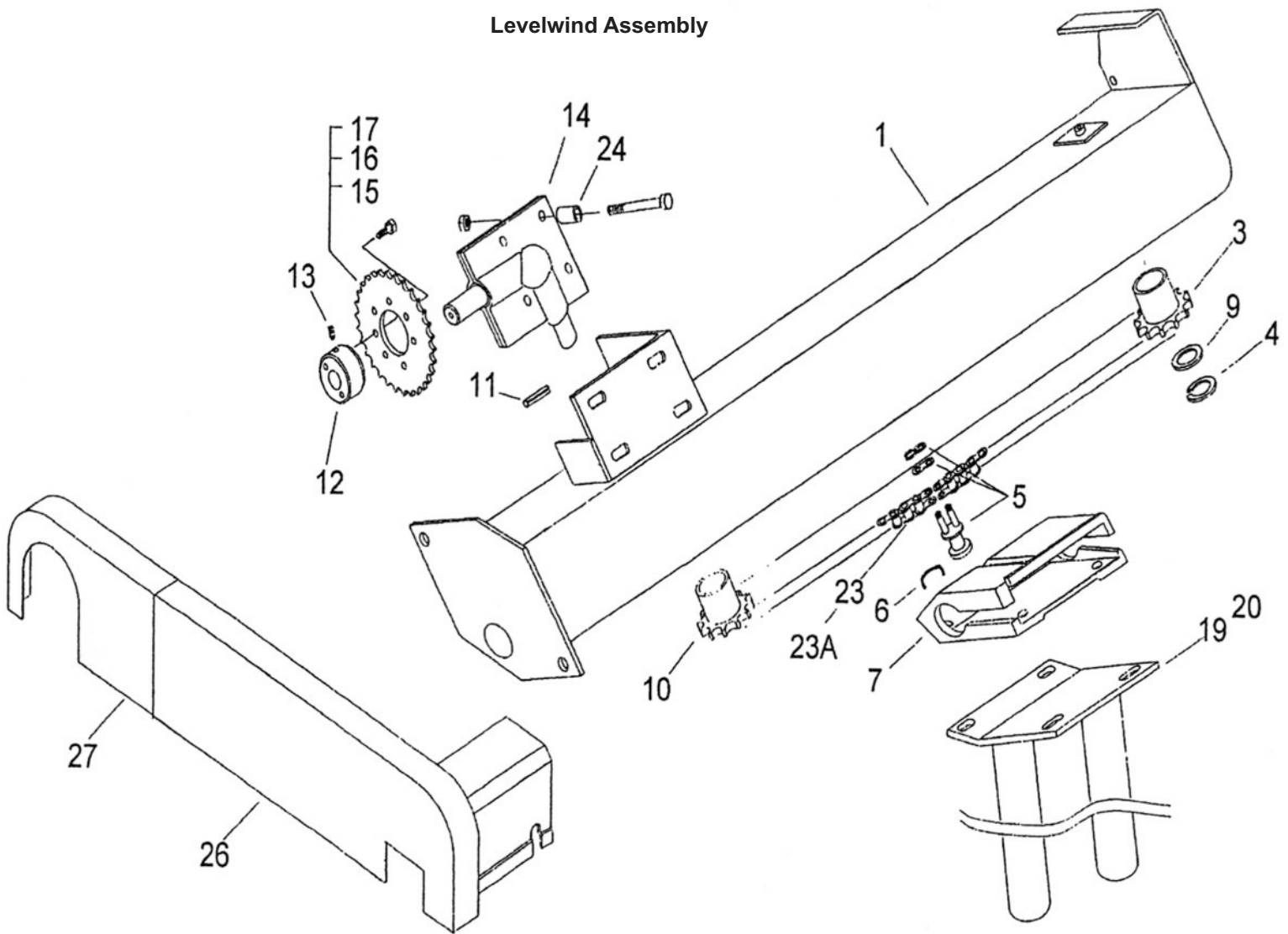


No.	Part Number	Description	Oty.
1A	58800233	SEAL RING 4" 6-3/8 OD X 9/16 (T33A, E33A)	1
1B	58800223	SEAL RING 3" 4.5 X 3.5 X 1/2 (T30A, T30LP, E30A, E30LP)	1
2A	02204830	FITTING, ENTRY - 25/120 TURBINE (T33A, E33A)	1
2B	02203080	FITTING, ENTRY - 10/50 TURBINE (T30A, T30LP, E30A, E30LP)	1
3A	02204840	O-RING 104MM X 3.53MM (T33A, E33A)	2
3B	02203030	O-RING, DIA. 71.54 X 3.53 (T30A, T30LP, E30A, E30LP)	2
4A	02204572	ELBW, UPPER (T33A, E33A)	1
4B	02204573	ELBW, UPPER (T30A, T30LP, E30A, E30LP)	1
5	02200390	O-RING 5-1/8"OD X 1/8" CS	1
6	02207532	RING, SEALING-UNIVERSAL D2/AG5/5+	1
7	02200370	RING, RET	3
8	02200400	WASHER, SLIP JOINT	1
9	02200380	SPACER, D2 SPOOL	2
10	02099581	HOSE DRUM SUPPORT	1
11	59302451	NUT, SLIP JOINT 30 - D2/AR5	1
12	02200320	SUPPORT, FLANGED (D2-AG5)	1
13	59600140	SPACER D2 BASE	1
14A	58802561	HOSE END OUTLET - 4" BALL (T30A, T30LP, E30A, E30LP)	1
14B	58802560	HOSE END, 3" BALL TO 3" HOSE (T30A, T30LP, E30A, E30LP)	1
15A	58800231	LEVER RING 4" 451 108MM (T33A, E33A)	1
15B	58800221	LEVER RING 3" 451 76MM (T30A, T30LP, E30A, E30LP)	1
16A	25249620	HOSE, IRR SUPPLY REMNANT 4"(PERFT) (T33A, E33A)	30 Ft.
16B	25249622	HOSE, IRR SUPPLY REMNANT 3"(PERFT) (T30A, T30LP, E30A, E30LP)	30 Ft.
17A	03019240	SUPRA CLAMP 104MM-112MM (4" HOSE)	4
17B	03019207	SUPRA CLAMP 79MM-85MM (3" HOSE)	4



17A	03019240	SUPRA CLAMP 104MM-112MM	1
17B	03019207	SUPRA CLAMP 79MM-85MM	1
18A	58802660	HOSE END INLET 4" (T33A, E33A)	1
18B	58802662	HOSE END INLET 3" TO 4" (T30A, T30LP, E30A, E30LP)	1
19	40049270	BAND,RING LOCK 4 IN	1
20A	02200340	ELBW,3" PE TUBE - D2 270000&UP	1
20B	02201270	ELBW,PE TUBE 100MM - D2	1
21	03019215	SUPRA CLAMP 85MM-91MM	4
22	02200310	HOSE 30	1
23A	02099113	BAND, HOSE 90MM	2
23B	02099114	BAND, HOSE 100MM	2
24A	02218822	HOSE RING WITH FLANGE 90MM (NOT SHOWN)	1
24B	02003118	TUBE END,100MM X FLANGE (NOT SHOWN)	1
24C	02207403	TUBE END, 30, SHUT OFF	1
24D	02207402	TUBE END, 33, SHUT OFF	1
25	02001140	CHAIN 1/2 METRIC ROLLER	Ft. 9.7
26	02201110	LINK 1/2 CONNECTOR	1
27	02201100	LINK,1/2" OFF-SET METRIC	2
28A	58401750	TUBE,PE 90MM X 3.0 ID X 1000FT	1
28B	58401752	TUBE,PE 90MMX3.0IDX1100FT (OPTIONAL)	1
28C	58401740	TUBE,PE 100X3.3ID X 800 FT (STANDARD)	1
28D	58401754	TUBE,PE 90MMX3.0IDX1050FT (STANDARD)	1
29	02204580	Spool	1
30	02200360	RING,ANTIFRICTION	1
31	02099202	GASKET, 5.75"BCD 4.3 ID	1
32	46548841	O-RING 3-7/8X3-3/8 90DURO	1
35	02214020	SPACER, D2/AR5 SEAL	1
36	02207411	BAR, GUNCART STOP - A-SERIES	1

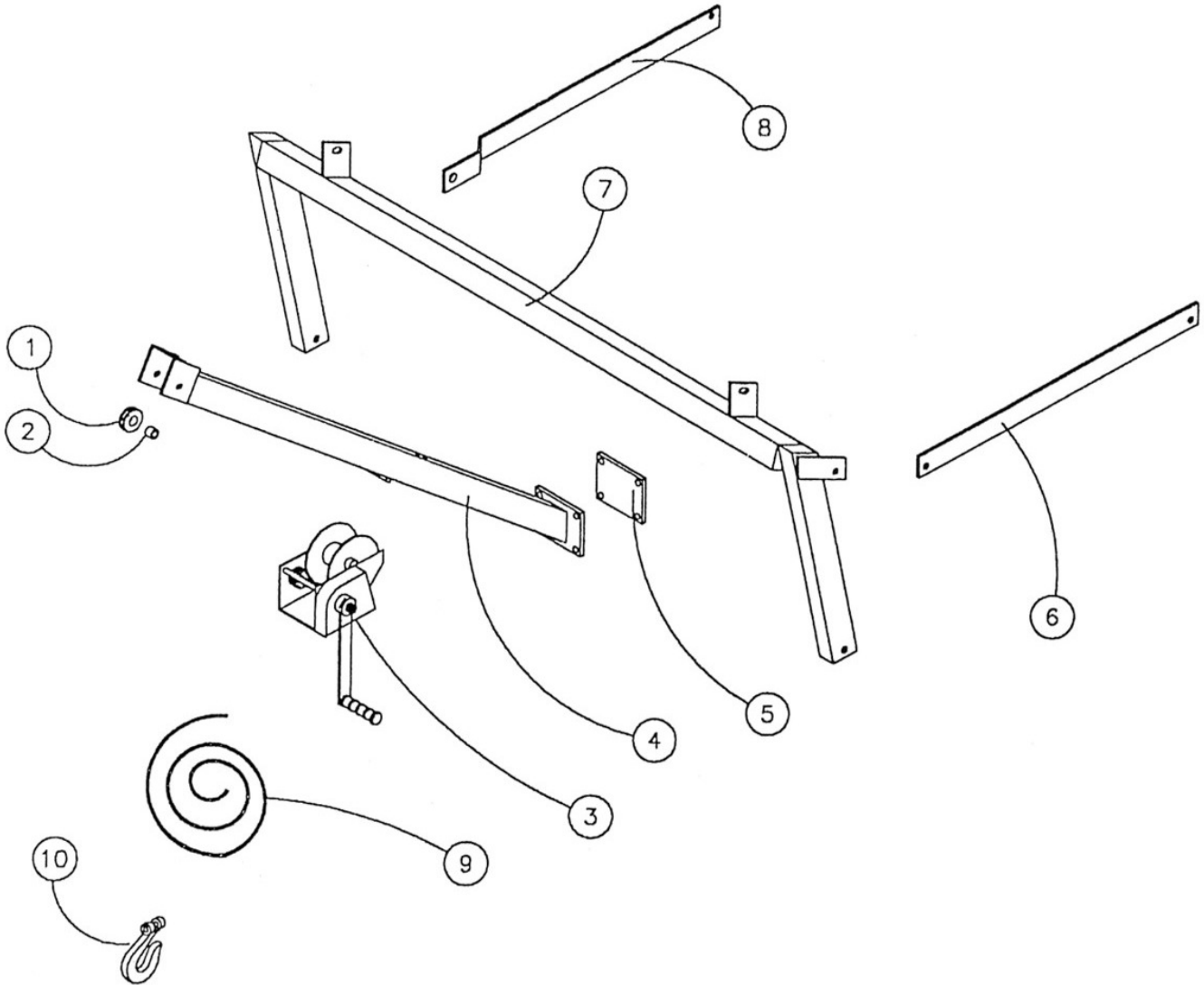
## Levelwind Assembly



No.	Part Number	Description	Oty.
1A	02199477	FRAME,LEVELWIND 58-3/4"OAL	1
1B	02201050	LEVELWIND ASSY, W/O DRIVE SPROCKET (#19 & #20 not included)	1
3	02000475	SPRKT,LVLWND IDLER 13T A1	1
4	52662540	RING,RET EX	1
5	02000496	LINK, HOSE GUIDE, ROUND END	1
6	02000776	CLIP,RETAINING	1
7	02000141	SUPPORT,FORK	1
9	55306280	BUSH,MACH 1-1/2X1X18GA	1
10	02000479	SPRKT,LVLWND DRIVER 13T 5/8"	1
11	58902140	PIN,SPRING 7MM X 45MM	1
12	02000153	HUB, SPROCKET	1
13	02000152	SCREW,12MMX25MM DOGPOINT(7.5MM DIA)	1
14	02001085	GEARBOX,RIGHT ANGLE	1
15	02201240	SPRKT,.5X29TEETH (Model 30)	1
16	02201250	SPROCKET .5 X 25 TOOTH (Model 33)	1
17	02203861	SPRKT,1/2 X 32 TOOTH (Model 27)	1
19	02004607	FORK, (30, 90MM) (27, 82MM) - D2	1
20	02203850	FORK, (33, 100MM) - D2	1
23	02001141	CHAIN 5/8 METRIC ROLLER PER FT. ( 150 Rollers)	ft. 6.25
23A	30216441	LINK, 5/8	1
24	02001084	BUSHING	4
26	02201220	SHIELD, LEVELWIND BOTTOM	1
27	02201232	GUARD, LEVELWIND TOP - FG1	1

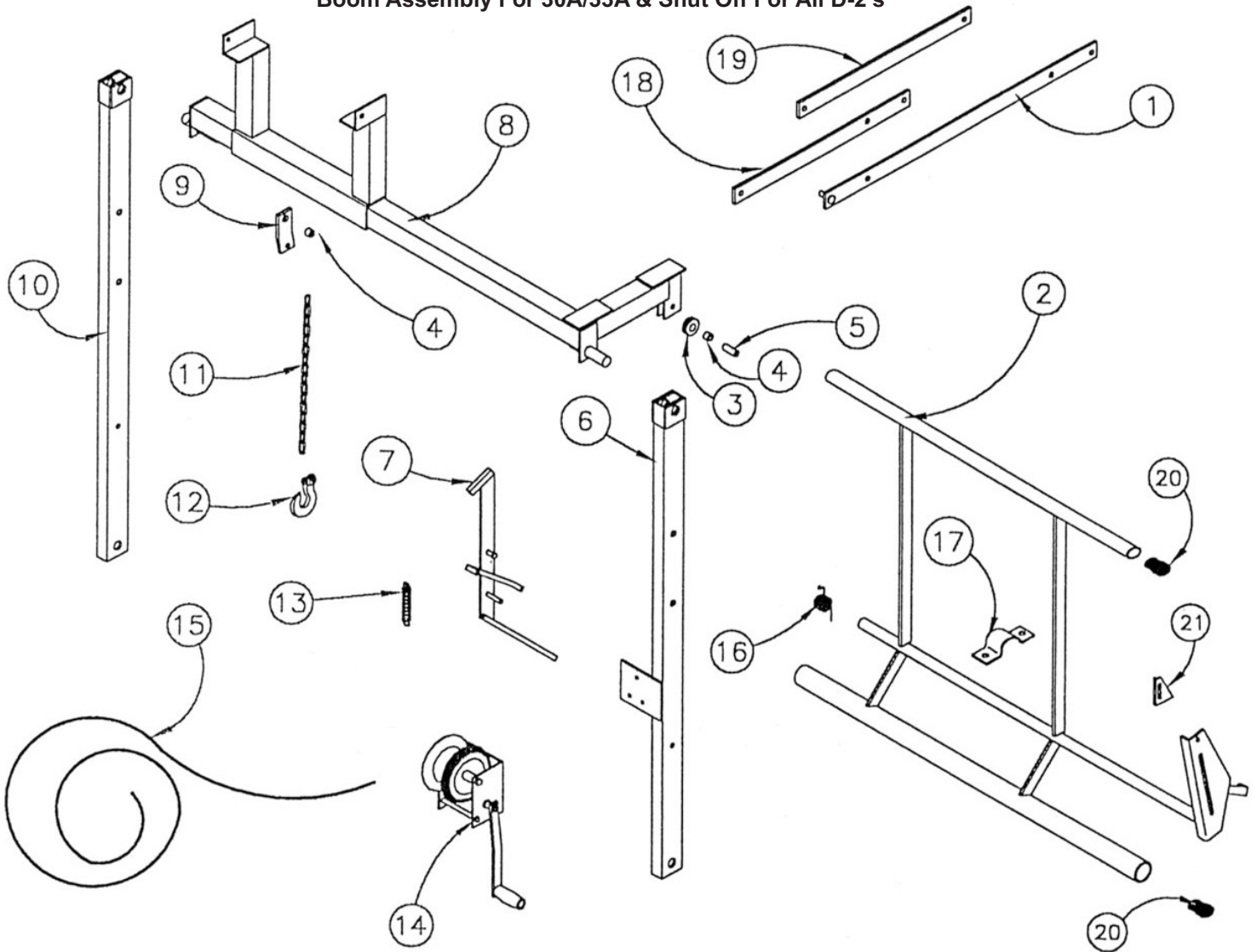


### Boom Assembly For 30LP



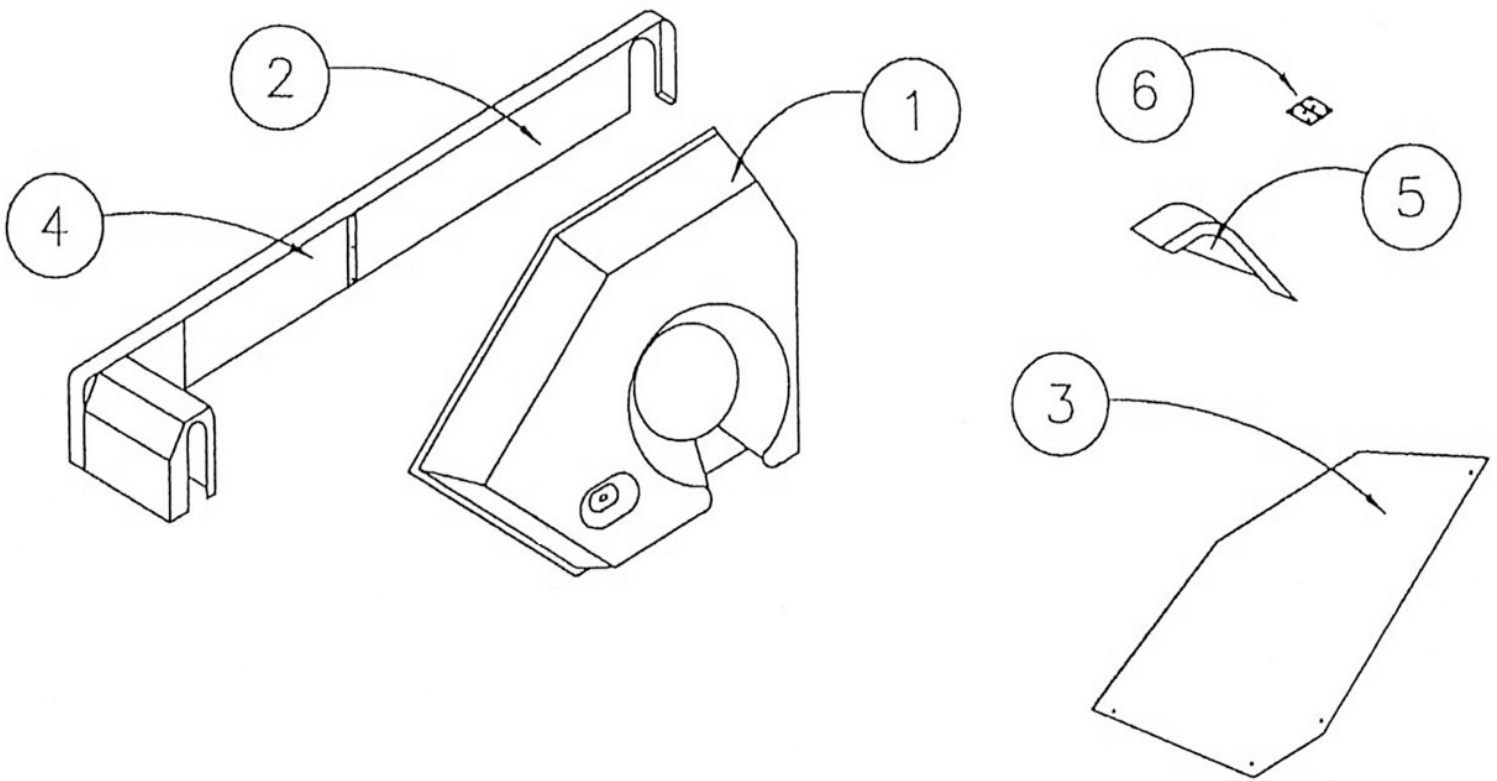
No.	Part Number	Description	Oty.
1	40249060	PLLY,WRP17/32X2X7/8B STL	1
2	32551910	BUSH,STL.843X.56X.62L	1
3	40048551	WINCH FULTON K 1550	1
4	59601390	BOOM BASE D2 LP	1
5	58803450	CLAMP PLATE	1
6	59405241	Brace, Boom	1
7	59405220	BOOM,LIFT - A1	1
8	59405242	BRACE D2 LP	1
9	75048440	CABLE,1/4-7X19 GAC PER FT	ft. 10
10	52355650	HOOK,CLEVIS SLIP 3/8 ZN	1

Boom Assembly For 30A/33A & Shut Off For All D-2's



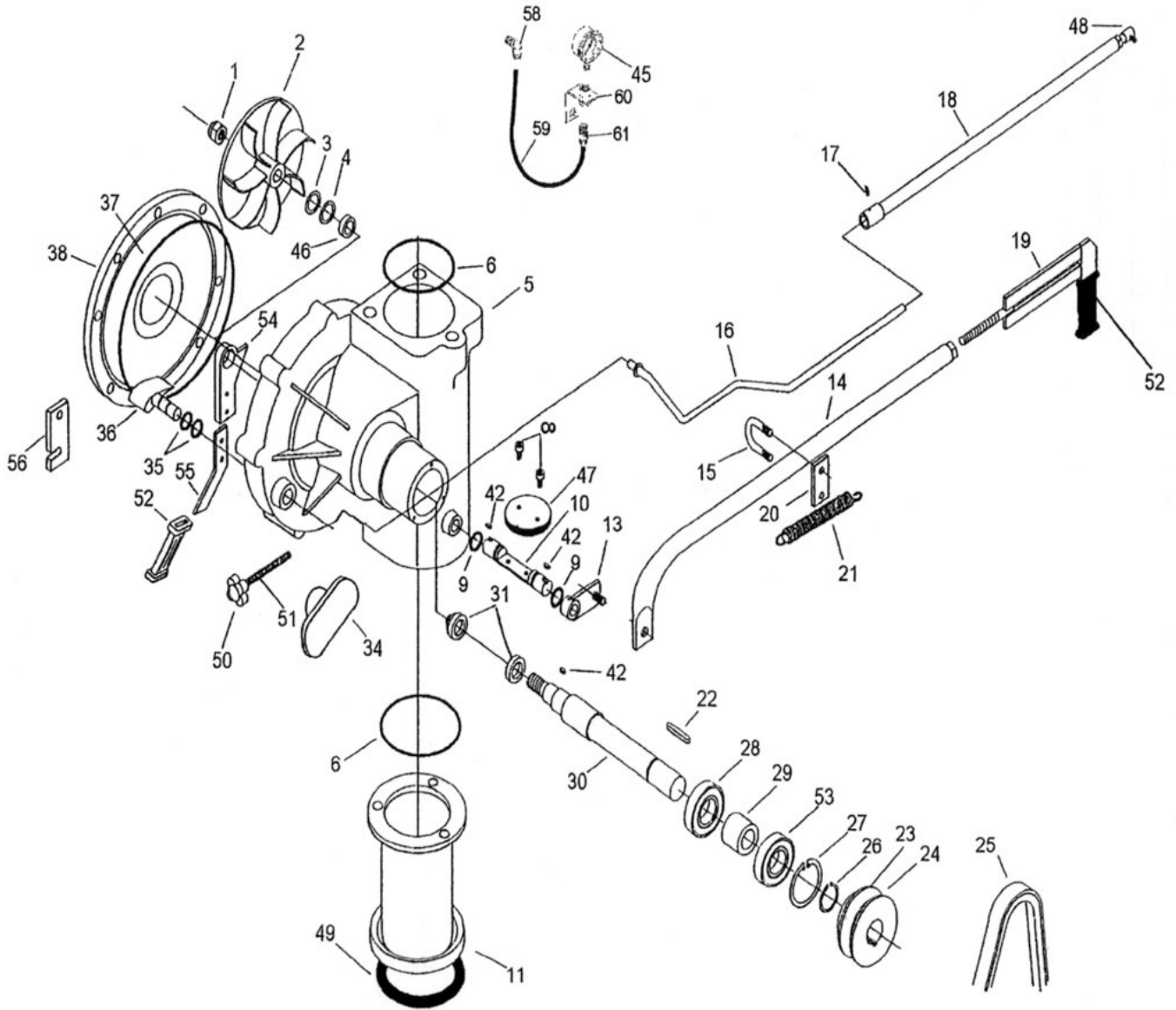
No.	Part Number	Description	Oty.
1	59505870	BOOM BRACE	2
2	02205280	BAR, COMPENSATOR - D2	1
3	40249060	PLLY,WRP17/32X2X7/8B STL	1
4	32551910	BUSH,STL.843X.56X.62L	3
5	59500540	BUSH,STL 3/4X.51X1.75L	1
6	59403391	ARM,LIFT	1
7	59404760	BOOM,CATCH	1
8	59403490	BOOM,LIFT ASSY	1
9	59500730	LINK,BOOM CHAIN	2
10	59403361	ARM,LIFT	1
11	85040600	CHAIN,3/8 PROOF COIL PLTD	ft. 4.7
12	52355650	HOOK,CLEVIS SLIP 3/8 ZN	2
13	45035360	SPRING TNSN 1 X 6 PLATED	1
14	40048551	WINCH FULTON K 1550	1
15	75048440	CABLE,1/4-7X19 GAC PER FT	ft. 12
16	02200166	SPRING, COIL - SHUT OFF	1
17	02000164	RETAINER	1
18	59505880	BOOM BRACE 30	1
19	59505890	TRANS. BRACE	2
20	02201630	CAP PLUG	4
21	02201610	RETAINER	1
21	59702830	TUBE,BOOM ARM	2

### Shield Group



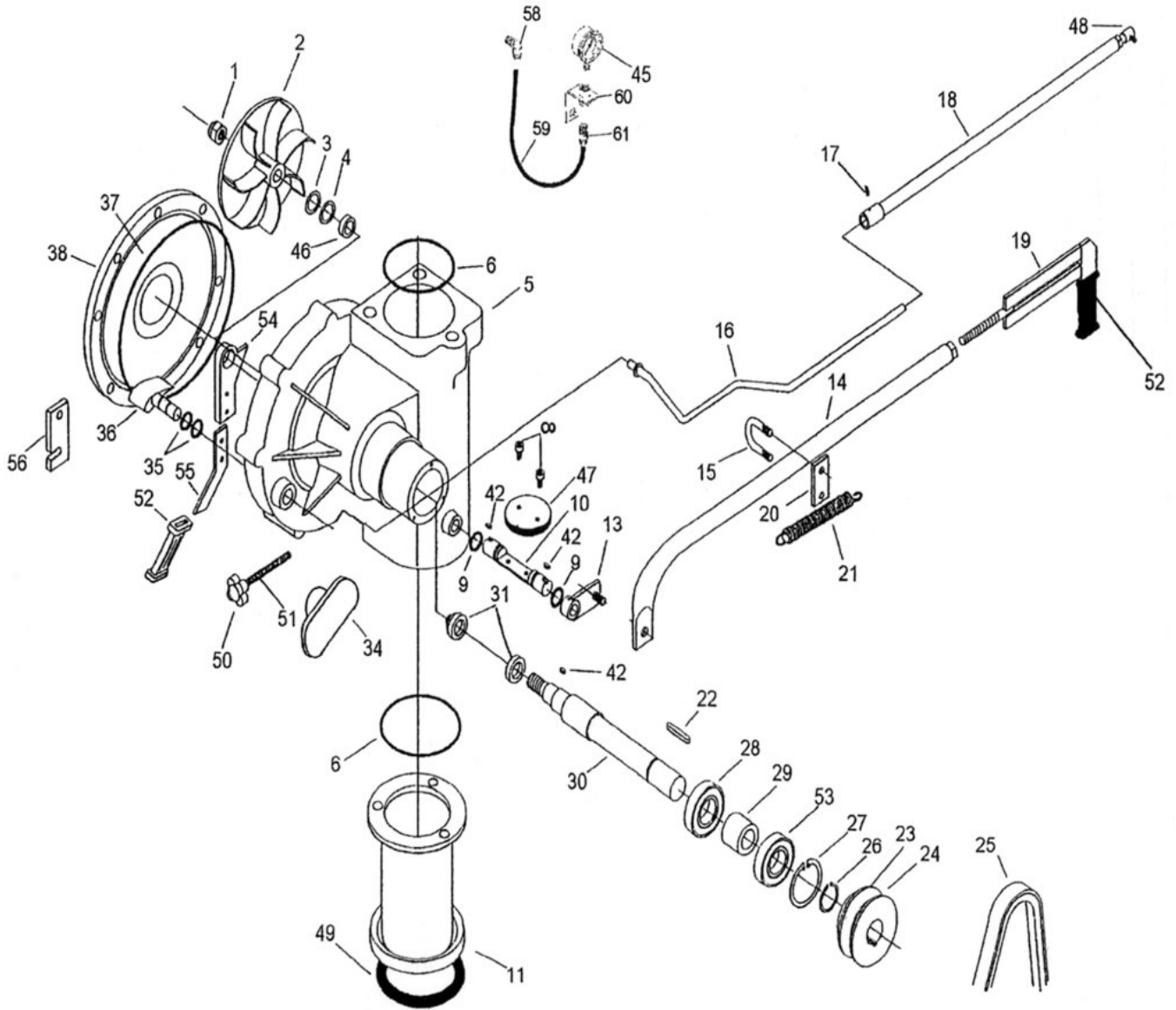
No.	Part Number	Description	Oty.
1	02204810	SHIELD D2	1
2	02201232	GUARD, LEVELWIND TOP - FG1	1
3	59300390	SHIELD,30 SPOOL	6
4	02201220	SHIELD, LEVELWIND BOTTOM	1
5	02203880	SHIELD, BELT	1
6	02203890	HINGE	1
7	59702810	LATCH,RUBBER DRAW (not shown)	1

### Turbine Assembly T-100 (T30A & T30LP)



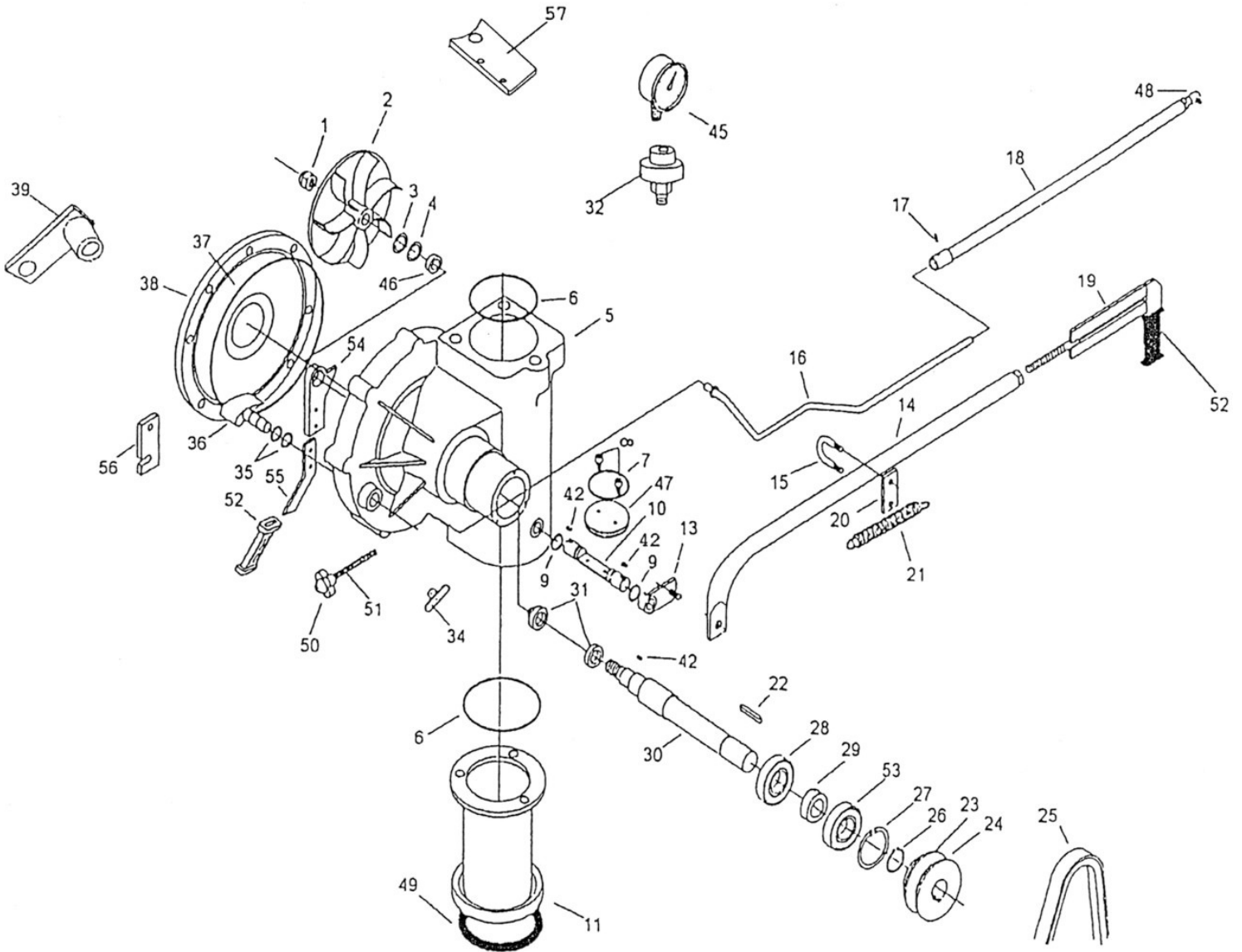
No.	Part Number	Description	Oty.
1	02201980	NUT,SELF LOCKING M14 X1.5	1
2	02201990	IMPELLER 5.43 X .51VANE H	1
3	02203000	SPACER,25MM X 16MM X 7MM	1
4	02205430	SHIM,MYLLAR 16.2X23.8X.25	1
5	02203020	BODY,TURBINE 10/50	1
6	02203030	O-RING,DIA. 71.54 X 3.53	2
8	02203050	SCREW,6-1MM X 16MM	2
9	02203060	O-RING DIA. 10.77 X 2.62	2
10	02203072	SHAFT,BY-PASS W/GROOVES	1
11	02203080	FITTING, ENTRY - 10/50 TURBINE	1
13	02203100	LEVER,CONTROL BY-PASS	1
14	02205740	ROD, BYPASS CONTROL "L" - D2 50"	1
15	02203120	U-BOLT	1
16	02203130	ROD, INNER COMP. AA AND A1	1
17	02203200	SET SCREW 6-1.00 X 8MM LONG	1
18	02205690	ROD, OUTER CMPNSTR - AA/A1/D2 47.9"	1
19	02203162	HANDLE, SLOTTED WITH THREAD	1
20	02203170	PLATE,CLAMP	1
21	02203180	SPRING BELT TIGHTENER	1
22	02205510	KEY 6 X 50	1

### Turbine Assembly T-100 (T30A & T30LP)



23	02203200	SET SCREW 6-1.00 X 8MM LONG	1
24	02205920	PLLY,100MM,75MM,53MM3STEP W/SETSCR	1
25	02205940	BELT AX 67	1
26	02201680	RETAINING RING E20	1
27	02203240	STOP RING I47	1
28	02201670	BEARING,6204-2RS	1
29	55370010	WASHER,FLAT 37MM X 20MMX3MM	1
30	02203260	IMPELLER PIN	1
31	02205450	SEAL,20 X 6	1
32	59901460	GAUGE PROTECTOR KIT	1
34	59603000	ARM,COMP	1
35	02203310	O-RING 8.73MM ID X 1.78MM CS	2
36	02203320	REGULATOR FLAP	1
37	02203330	O-RING DIA. 203 X 3.53	1
38	02203340	COVER, 10/50 TURBINE	1
42	02203370	KEY 5 X 10	3
45	58606750	GAUGE, PRESS 0-300	1
46	02203390	SHIM,28MM OD 20MM ID X1MM	1
47	02203400	DISC. BY-PASS	1
48	02203410	ROD END	1

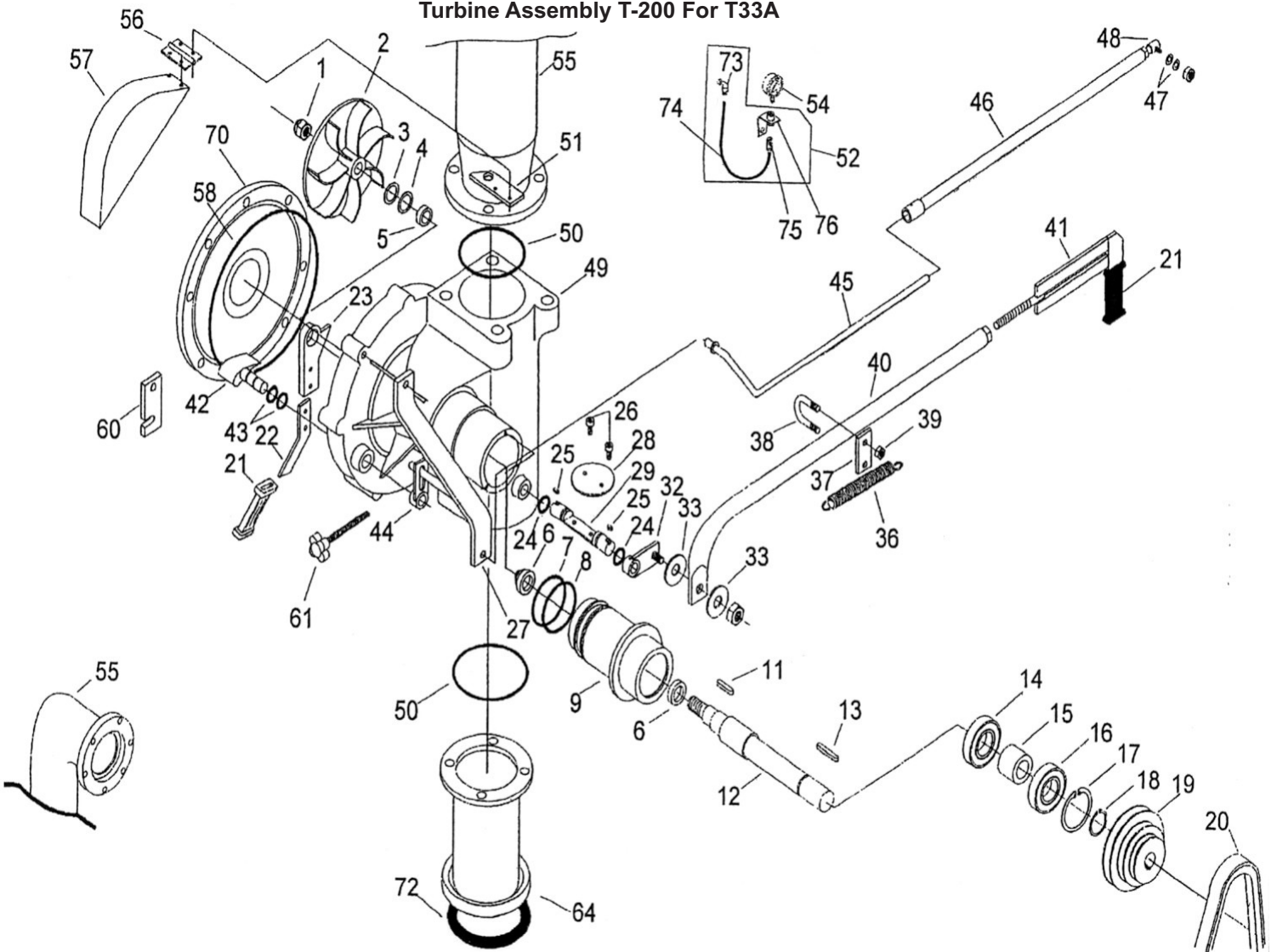
### Turbine Assembly T-100 (T30A & T30LP)



49	58800223	SEAL RING 3" 4.5 X 3.5 X 1/2	1
50	02203910	HAND WHEEL KNOB	1
52	02204140	HAND GRIP MOD. 1040-20X6	1
53	02201671	BEARING,5204-2RS	1
54	02205580	LEVER, BY-PASS - 25/120	1
55	02205570	LEVER,BY-PASS	1
56	02205731	PLATE, STOP 10/50	1
58	52549152	FTG,TB 90 1/4NNPTX5/16TUB	1
59	25249392	TUBE,SYNFLEX 5/16 OD	2 FT.
60	59901480	GAUGE MOUNT	1
61	52549154	FTG,TB 1/4FNPTX5/16 TUBE	1

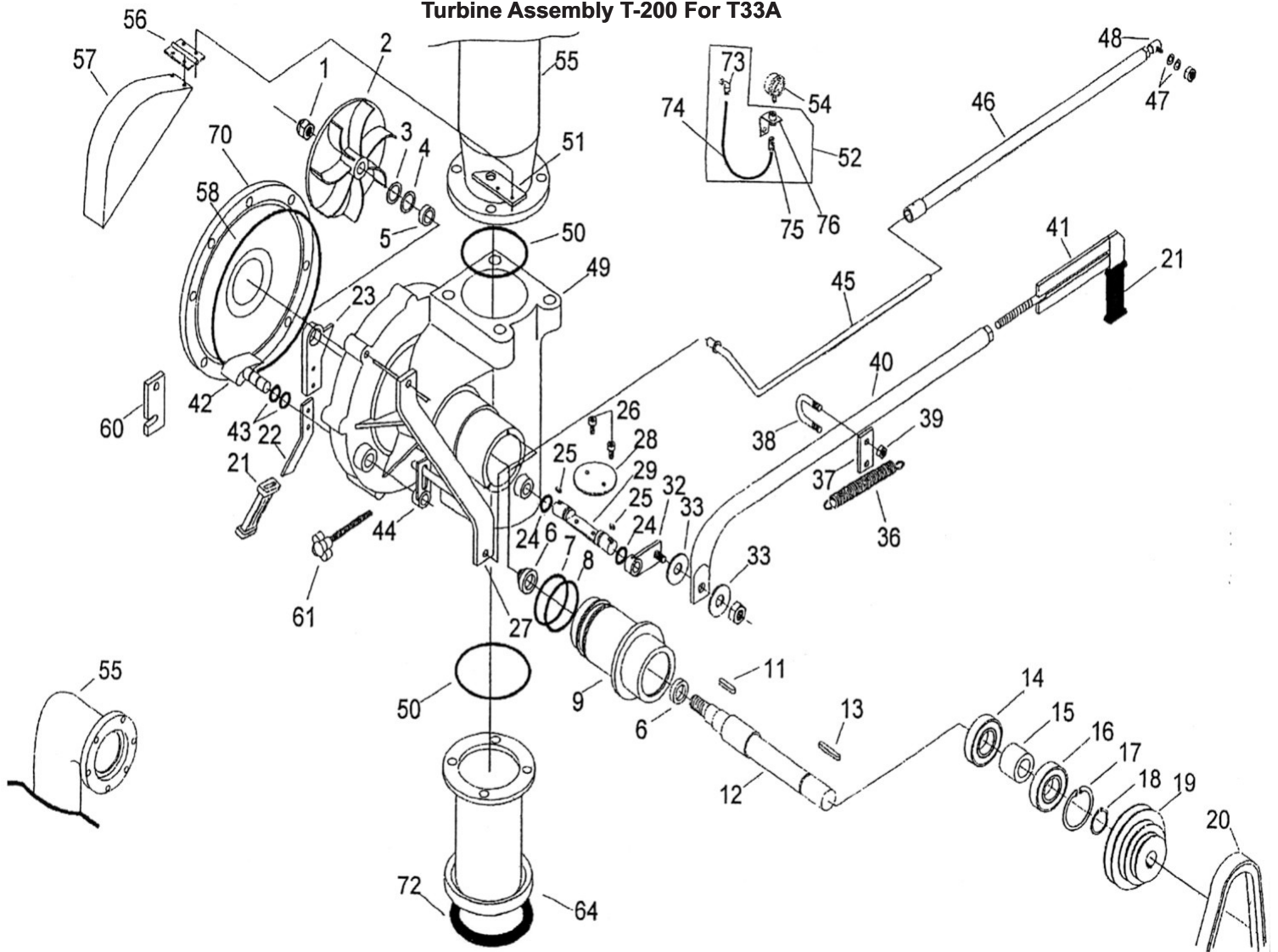
59900028 TURBINE ASM, 10/50 - A1 (25/27/30)

### Turbine Assembly T-200 For T33A



No.	Part Number	Description	Qty.
1	02201980	NUT,SELF LOCKING M14 X1.5	1
2	02201994	IMPELLER 6.77ODX.51 VANE	1
3	02205430	SHIM,MYLLAR 16.2X23.8X.25	2
4	02203000	SPACER,25MM X 16MM X 7MM	1
5	02205440	SPACER 25MM X 20MM X 5MM	1
6	02205450	SEAL,20 X 6	1
7	02205460	O-RING 4MM X 54MM	2
8	02205461	O-RING 2.36 ID X .103 C/S	1
9	02205480	TURBINE HUB T 200 25/120	1
11	02203370	KEY 5 X 10	1
12	02205500	SHAFT,IMPELLER 25/120	1
13	02205510	KEY 6 X 50	1
14	02201670	BEARING,6204-2RS	1
15	02205521	SPACER 1.795 LONG	1
16	02201671	BEARING,5204-2RS	1
17	02203240	STOP RING I47	1
18	02203230	RETAINING RING E20	1
19	02205920	PLLY,100MM,75MM,53MM3STEP W/SETSCR	1
20	02205941	BELT AX 68	1
21	02204140	HAND GRIP MOD. 1040-20X6	1
22	02205570	LEVER,BY-PASS	1

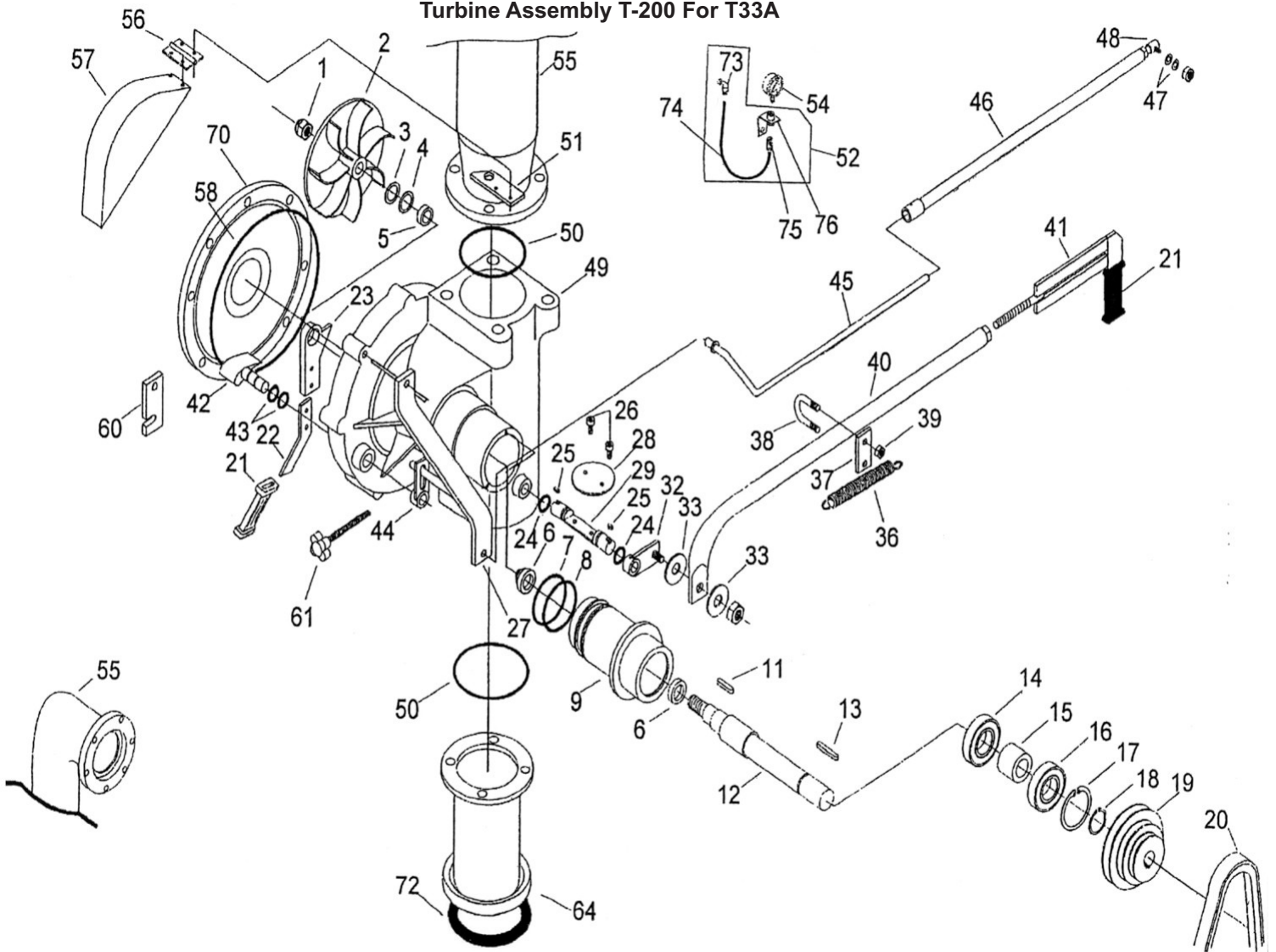
### Turbine Assembly T-200 For T33A



23	02205580	LEVER, BY-PASS - 25/120	1
24	02205590	O-RING 15.54MM ID X 2.6MM	2
25	02203190	KEY 6X10	2
26	02203050	SCREW,6-1MM X 16MM	2
27	02206480	ARM, COMPENSATION - FG1	1
28	02205620	DISC,BY PASS	1
29	02205632	SHAFT,BYPASS W/GROOVES	1
31	59901460	GAUGE PROTECTOR	1
32	02205640	BY-PASS LEVER	1
33	02205650	WASHER,10 X 30	2
34	02206600	SPACER, 1" OD X 2.4" 8MM THREAD-FG1	1
35		Nut, M10	1
36	02203180	SPRING BELT TIGHTENER	1
37	02203170	PLATE,CLAMP	1
38	02203120	U-BOLT	1
39		NUT, 8mm	2
40	02205740	ROD, BYPASS CONTROL "L" - D2 50"	1
41	02203162	HANDLE, SLOTTED WITH THREAD	1
42	02205660	REGULATOR FLAP WITH PIN	1
43	02203310	O-RING 8.73MM ID X 1.78MM CS	2
44	02206500	LOOP, COMPENSATOR - 10/50, 25/120	1
45	02203130	ROD, INNER COMP. AA AND A1	1
46	02205690	ROD, OUTER CMPNSTR - AA/A1/D2 47.9"	1



### Turbine Assembly T-200 For T33A

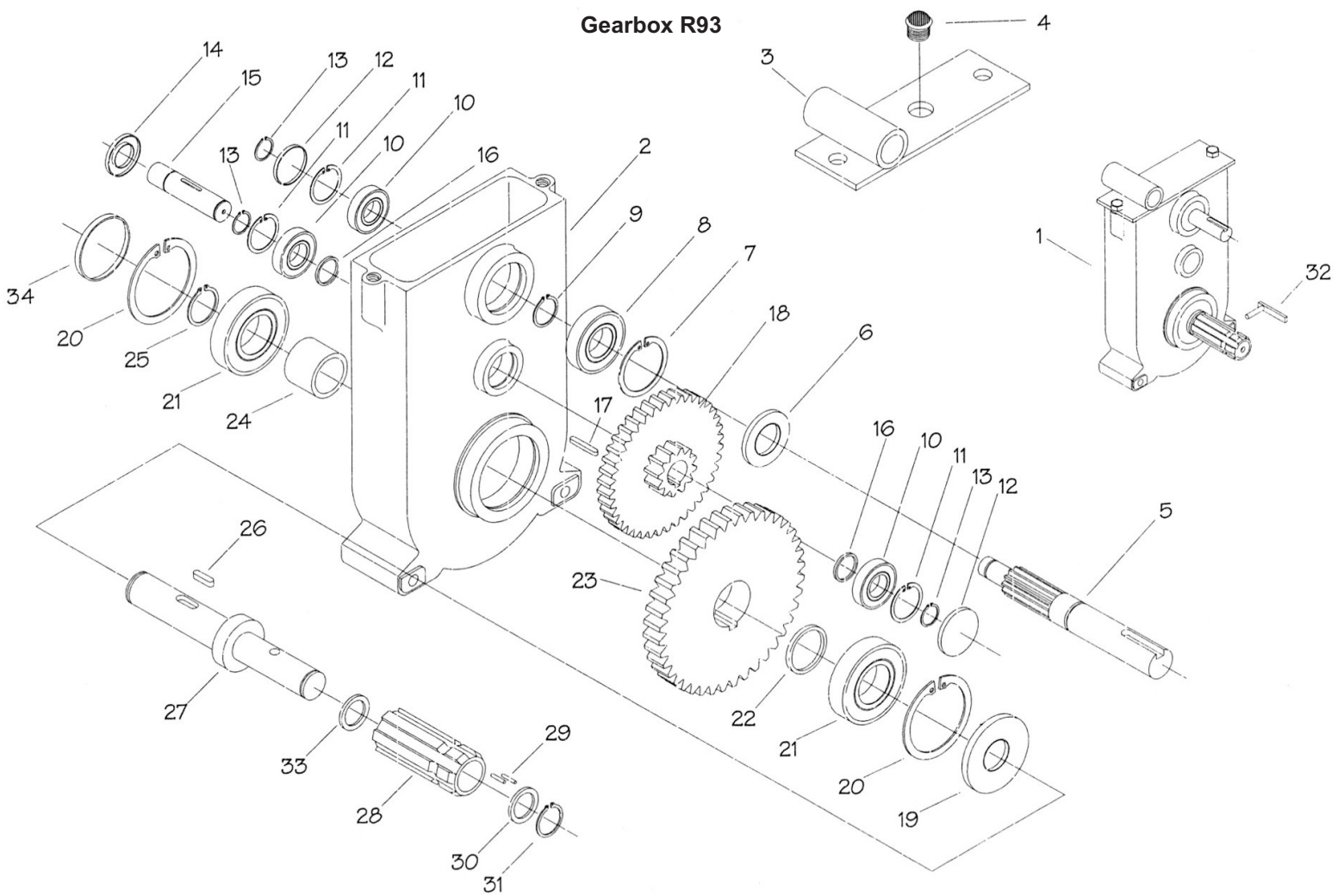


47		NUT, 8mm FLAT	2
48	02203410	ROD END	1
49	02203021	BODY,TURBINE 25/120	1
50	02204840	O-RING 104MM X 3.53MM	2
51	02205710	SUPPORT - FG1	1
52	59901460	GAUGE PROTECTOR	1
54	58606750	GAUGE, PRESS 0-300	1
55	02204572	ELBW,UPPER(T-33A,E33A)	1
56	02203890	HINGE	1
57	02203880	SHIELD, BELT	1
58	02205720	O-RING 278.99MM ID X 3.53C/S	1
60	02205730	PLATE, STOP 25/120	1
61	02203910	HAND WHEEL KNOB	1
64	02204830	FITTING, ENTRY - 25/120 TURBINE	1
70	02208340	COVER,IMPELLER	1
72	58800233	SEAL RING 4" 6-3/8 OD X 9/16	1
73	52549152	FTG,TB 90 1/4NNPTX5/16TUB	1
74	25249392	TUBE,SYNFLEX 5/16 OD	2 FT
75	59901480	GAUGE MOUNT	1
76	52549154	FTG,TB 1/4FNPTX5/16 TUBE	1

99070300 KIT, RUNNER OVERHAUL - 25/120

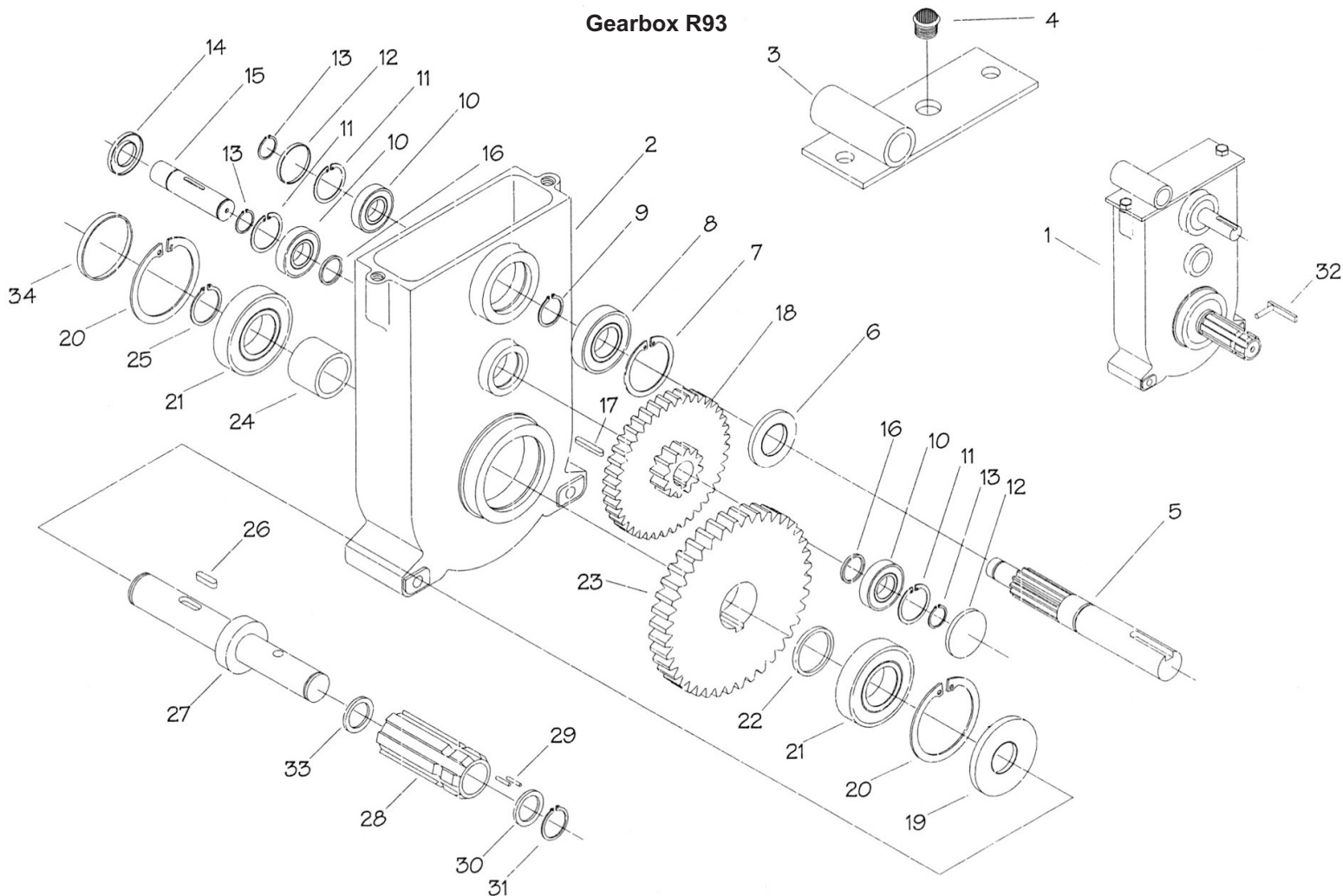
59900020 TURBINE ASM, 25/120

### Gearbox R93

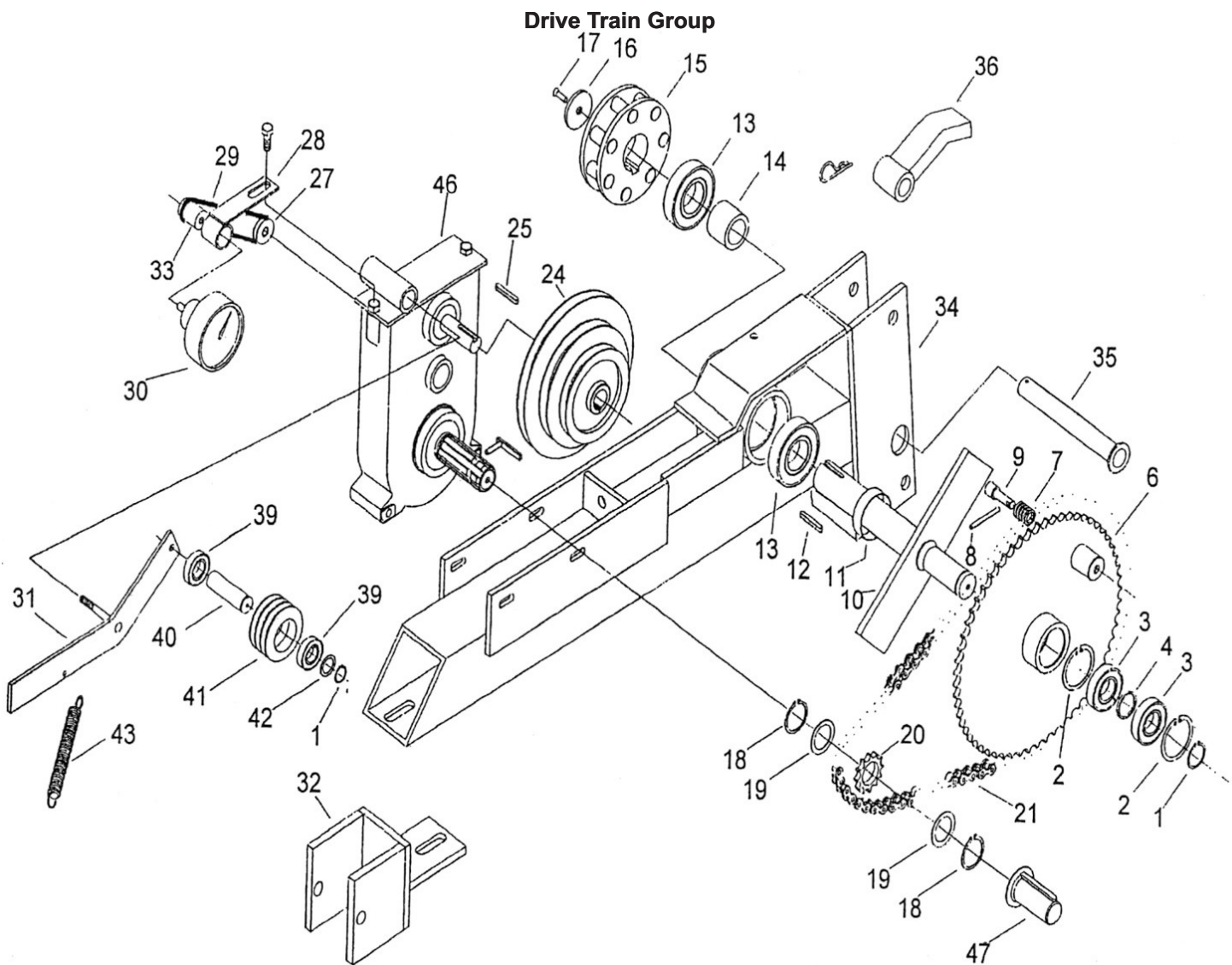


No.	Part Number	Description	Qty.
1	02208160	Gearbox 93-1	1
2	02207060	Housing, Gearbox 93-1	1
3	02207070	Gearbox cover	1
4	02206410	Breather 1/4"	1
5	02201641	Shaft, Gearbox Input - 93-1 Box	1
6	02201650	Oil retainer Ø 20×47×7	1
7	02203430	Stop ring Ø i47	1
8	02201670	Bearing 6204 2RS	1
9	02201680	Stop ring Ø E20	1
10	02201690	Bearing 6201	3
11	02201700	Stop ring Ø i32	3
12	02201710	Plug Ø 32	2
13	02201740	Stop ring Ø E12	2
14	02201720	Oil retainer Ø 12mm × 32mm x 7mm	1
15	02201730	Shaft	1
16	02201750	Shim dia. 12×0.5	1
17	02201760	Key 4×10	1
18	02207100	Double pinion Z15 M1,5 / Z150 M1	1
19	02206240	Plug Dia 62	1
20	02201810	Stop ring Ø i62	2
21	02201820	Bearing 6206	2

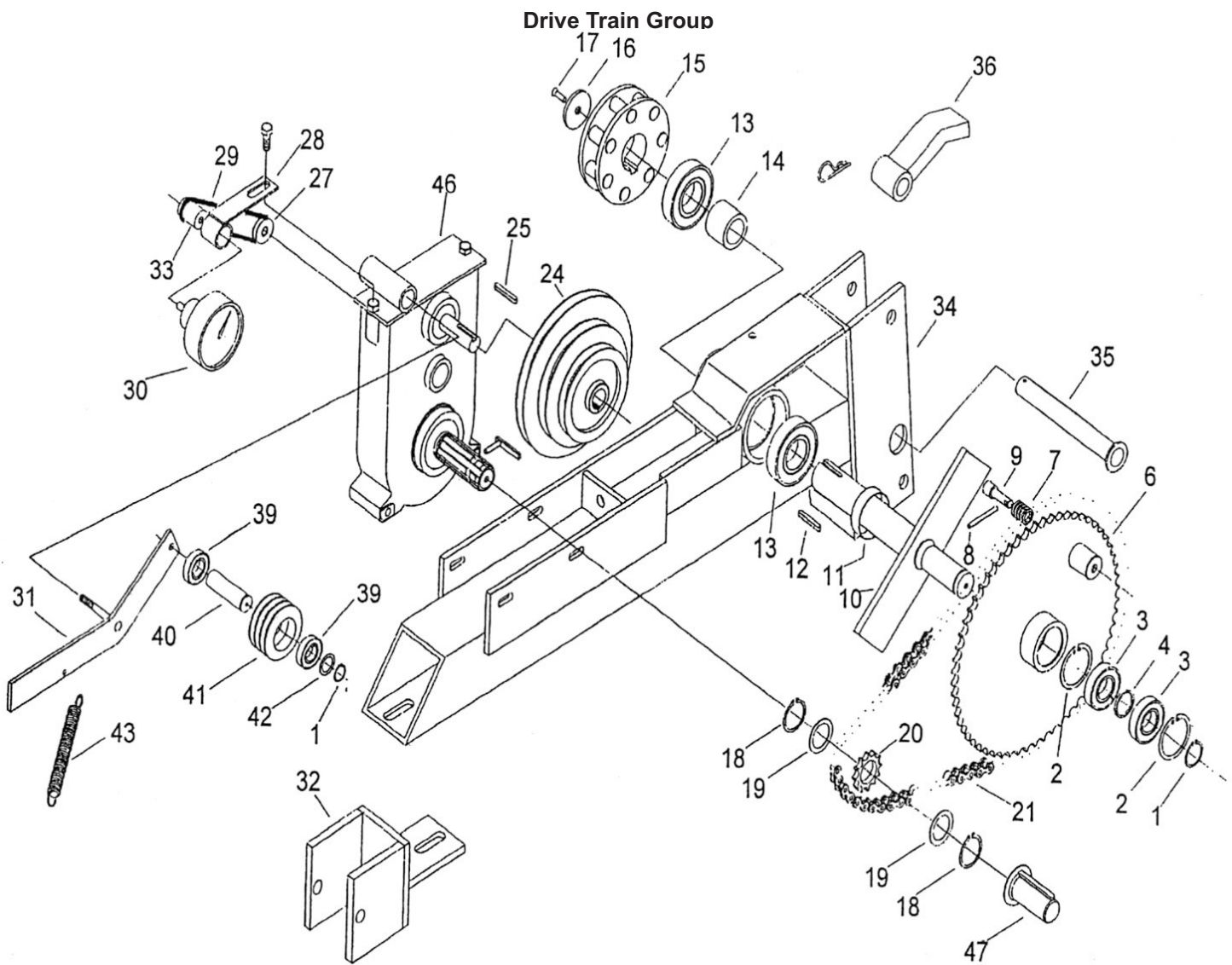
### Gearbox R93



22	02201830	Shim sp:3	1
23	02207120	Pinion Z111 M1,5	1
24	02207110	Spacer sp:19,5	1
25	02201870	Stop ring Ø E30	1
26	02201850	KEY, 8MM X 8MM X 20MM	1
27	02201790	Output Shaft	1
28	02201950	Splined pin	1
29	02201930	Bearing pins Ø 1,9×17,5	62
30	02201900	Washer B14 Ø 18 sp:3	1
31	02201890	Stop ring Ø E18	1
32	02201910	Safety key	1
33	02201940	Washer B14 Ø 22 sp:3	1
34	02206240	Plug Ø 62	1

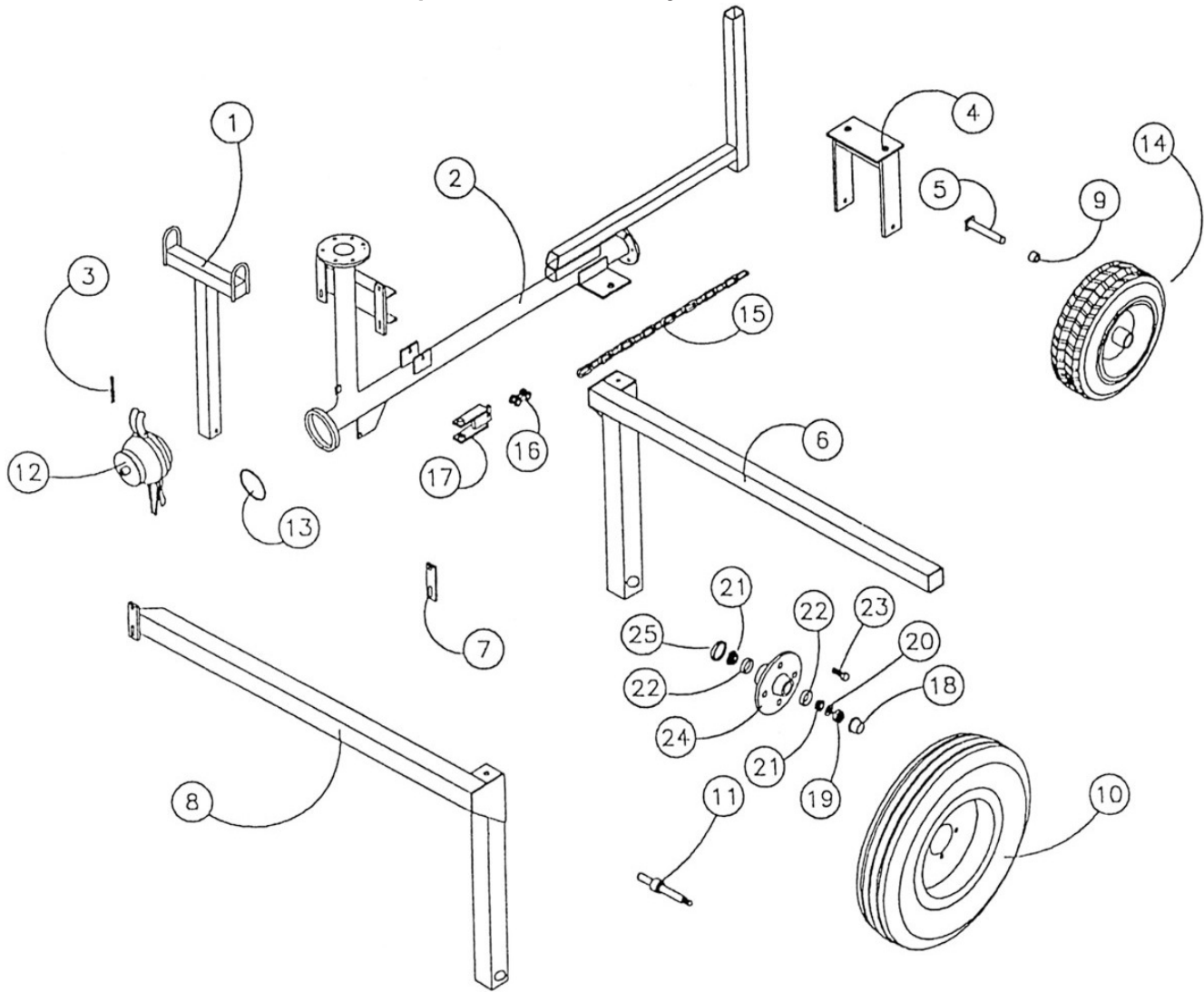


No.	Part Number	Description	Oty.
1	02203420	SNAP RING E25	1
2	02203430	SNAP RING I 47	2
3	02203440	BEARING,6005-2RS	2
4	02203450	SPACER DIA. 26	2
6	02203461	SPROCKET,CLUTCH	1
7	02203470	SPRING	1
8	02203480	PIN	1
9	02203490	PIN	1
10	02204590	SHFT,DIA 40MM/25MM 8.6"OAL - D2	1
11	02208370	SPACER	1
12	02204600	KEY 8MM X 12MM X 40MM	1
13	02204620	BEARING,6208-2RS	2
14	02204630	SPACER	1
15	02205051	PINION, 40MM BORE M20 PIN -FF1/D2	1
16	02203590	WASHER,SPECIAL	1
17	55070110	SCREW 10MMX25MM ALEN FLAT	1
18	02205340	SNAP RING E35	2
19	02205350	SPACER, 35MM X 45MM X 1MM	2
20	02203620	SPROCKET, 5/8 12	1
21	02001141	CHAIN 5/8 METRIC ROLLER PER FT. (93Rollers)	ft. 4.8
21A	30216441	LINK,5/8 OFF-SET	1
21B	30203671	LINK,5/8 CONNECTING	1
24	02205930	PLLY,3 STEP 100,125,147 W/SETSCRW	1
25	02205510	KEY 6 X 50	1
27	59504821	PULLEY,TACH-FOR A1 25/27	1



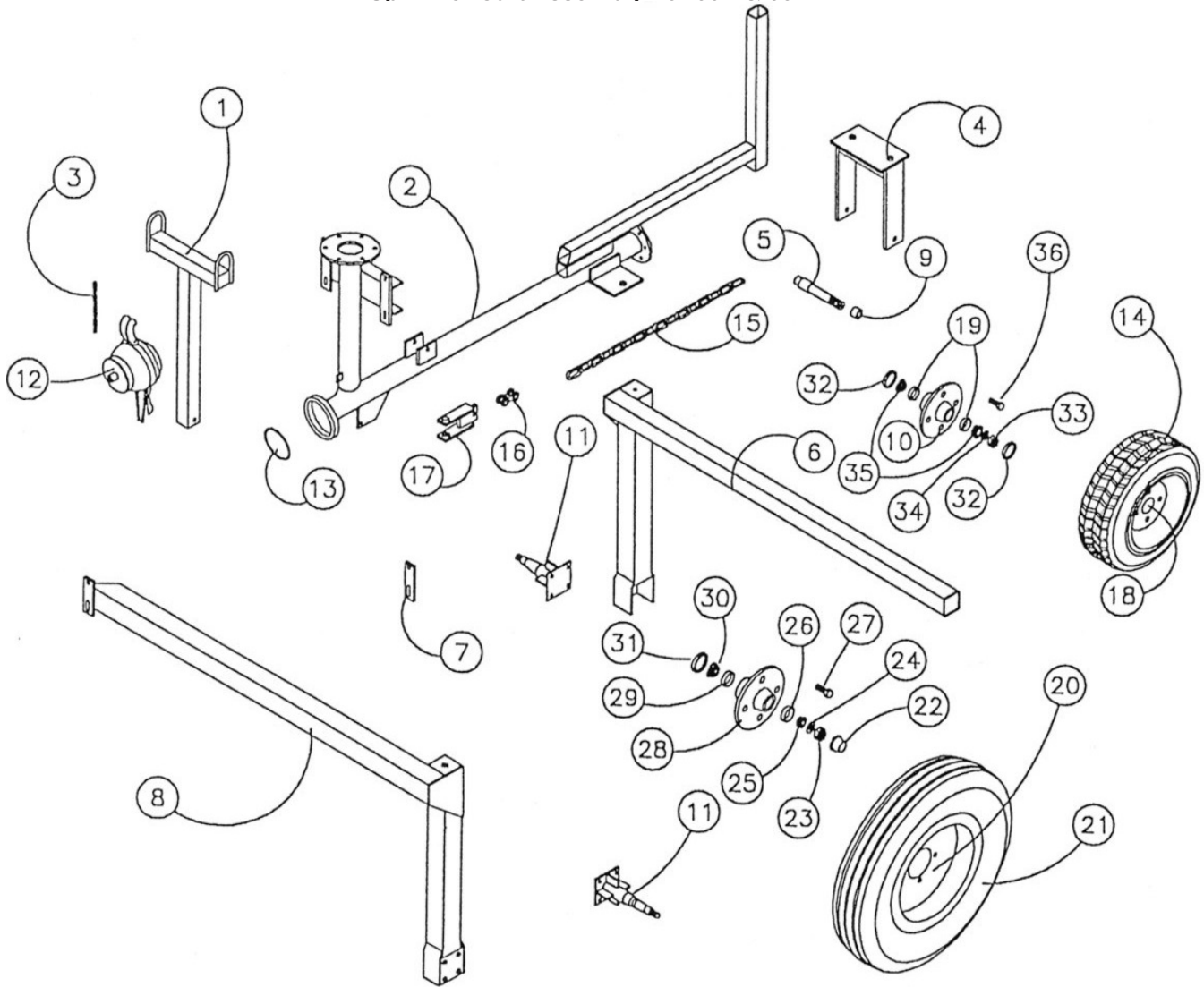
28	02203670	BRACKET, TACHOMETER	1
29	02203661	BELT, TACH, DIA 3.5MM X 590MM	1
30	02201200	TACHOMETER ASM,0-400 FT/HR A SERIES	1
31	02206510	ARM. IDLER - D2/FF1/FG1/MF1/MG1/2	1
32	02203720	END SUPPORT D2	1
33	59404411	PULLEY,TACH .966	1
34	02208380	TURBINE MECHANISM SUPPORT D2	1
35	02203710	PIN,ANTI-RETURN PAWL AR4/5/6/7	1
36	02203710	PIN,ANTI-RETURN PAWL AR4/5/6/7	1
39	02203440	BEARING,6005-2RS	2
40	02206530	SHAFT,BELT IDLER	1
41	02206540	PULLEY IDLER 3 GROOVE	1
42	02207030	SPACER 1MM X 25MM X 35MM	1
43	02203180	SPRING BELT TIGHTENER	1
46	02208160	GEARBOX 93-1	1
47	02201210	SHIELD,PTO SPLINE	1

### Sprinkler Cart Assembly For 30LP



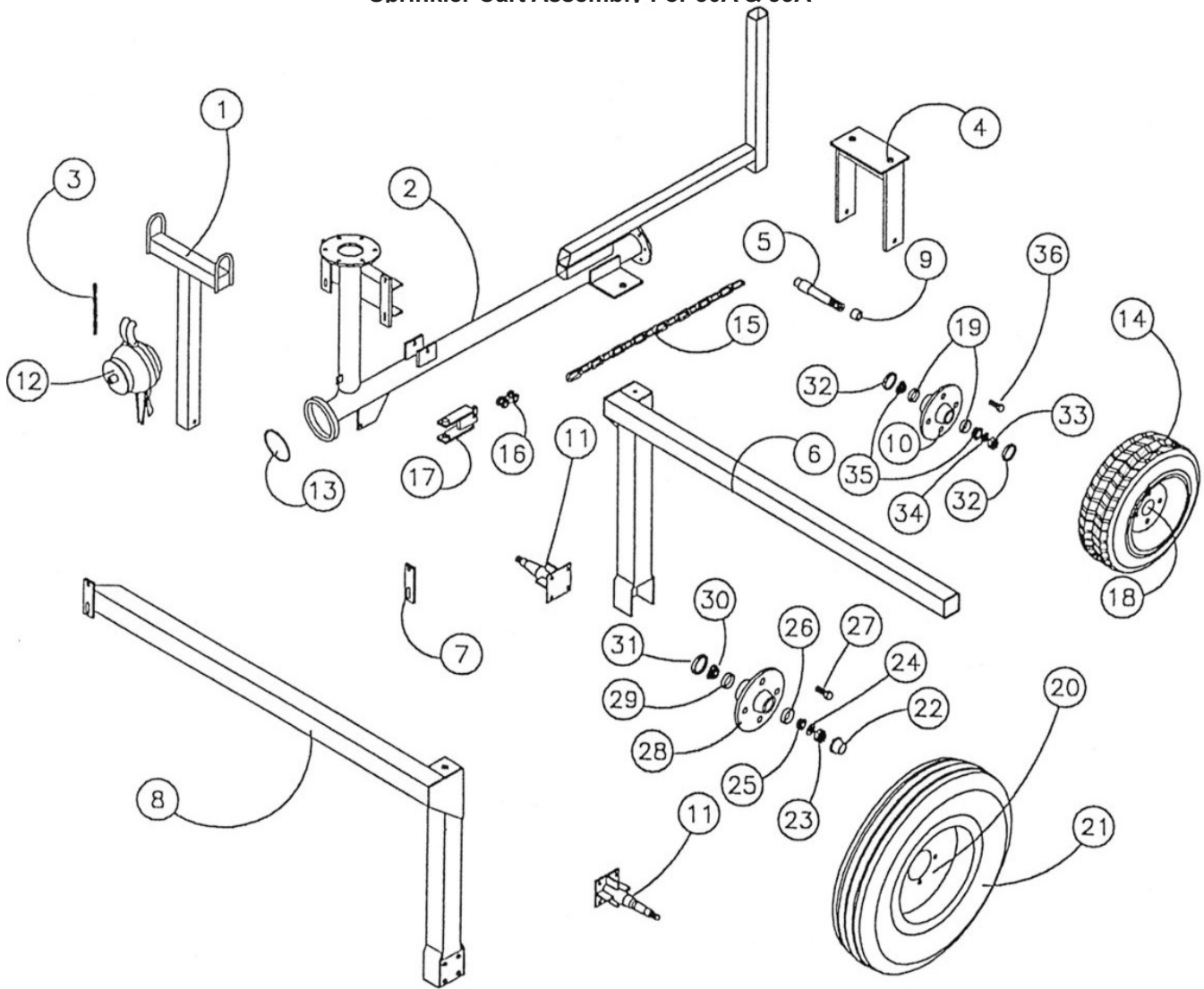
No.	Part Number	Description	Qty.
1	59405760	BAIL,LIFT	1
2	59601300	BODY A1&D2	1
3	85040590	CHAIN,3/16PROOF COIL PLTP	ft. 0.833
4	58801482	YOKE A1 CART	1
5	58608991	AXLE,B160,B140,27/30CART	1
6	59504290	LEG,INNER,25 GUNCART	1
7	58706411	STRAP	3
8	59504260	LEG,OUTER,25 GUNCART	1
9	58608441	SPACER, WRT4	2
10	58602294	WHEEL & TIRE,4:80X12 GLV	2
11	59601370	SPINDLE,A1 CART REAR AXLE	2
12	59703121	PLUG,WITH LEVER,BALL 3"	1
13	58800223	SEAL RING 3" 4.5 X 3.5 X 1/2	1
14	58602290	WHEEL&TIRE,480/400X8 1B 2P	1
15	85040600	CHAIN,3/8 PROOF COIL PLTD	ft. 3
16	52353941	CLEVIS,DBL CMBL 542-3301	2
17	52354210	HITCH, CHAIN	1
18	58803561	CAP,HUB	2
19	58803562	NUT, SLOTTED NF 3/4"	2
20	58803567	WASHER,SPINDLE WIL913608	2
21	50702930	KIT, CUP AND CONE SET	1
22	50702930	KIT, CUP AND CONE SET	1
23	58803560	BOLT,LUG WILT 913535	8
24	58803564	HUB,WITH RACES ONLY W440	2
25	58803565	SEAL,CR12437	2

### Sprinkler Cart Assembly For 30A & 33A



No.	Part Number	Description	Qty.
1	59100031	BAIL,LIFT	1
2	59504870	BODY GUNCART 30 (With shutoff bar)	1
2A	59904170	BODY D2 340,000 (Without shutoff bar)	1
3	85040590	CHAIN,3/16PROOF COIL PLTP	
4	59500030	YOKE FRONT GUNCART	1
5	06010199	AXLE,FRONT	1
6	59504980	LEG,INNER 30 CART	1
7	59406030	STRAP,CLAMP	3
8	59505020	LEG,OUTER 30 CART	1
9	06002450	SLEEVE	1
10A	58803564	HUB,WITH RACES ONLY W440	1
10B	59503820	HUB & AXLE ASSM GUNCART40	1
11	59504930	SPINDLE,REAR GUNCART	2
12	59703120	PLUG,WITH LEVER,BALL 4"	1
13	58800233	SEAL RING 4" 6-3/8 OD X 9/16	1
14A	59302650	TIRE,16X6.5X8 4 PLY	1
14B	59302651	TUBE,INNER 16X6:50X8	1
15	85040600	CHAIN,3/8 PROOF COIL PLTD	ft. 3
16	52353941	CLEVIS,DBL CMBL 542-3301	2
17	52354210	HITCH, CHAIN	1
18A	59302640	WHEEL,8X5.75 4BOLT 4BCD	1
18B	59506060	WHEEL&TIRE,16X6:50X8 4PG	1
19	50702930	KIT, CUP AND CONE SET	2
20	50201740	WHEEL&TIRE ASSY 6.70X15 5"BCD4BOLT	2

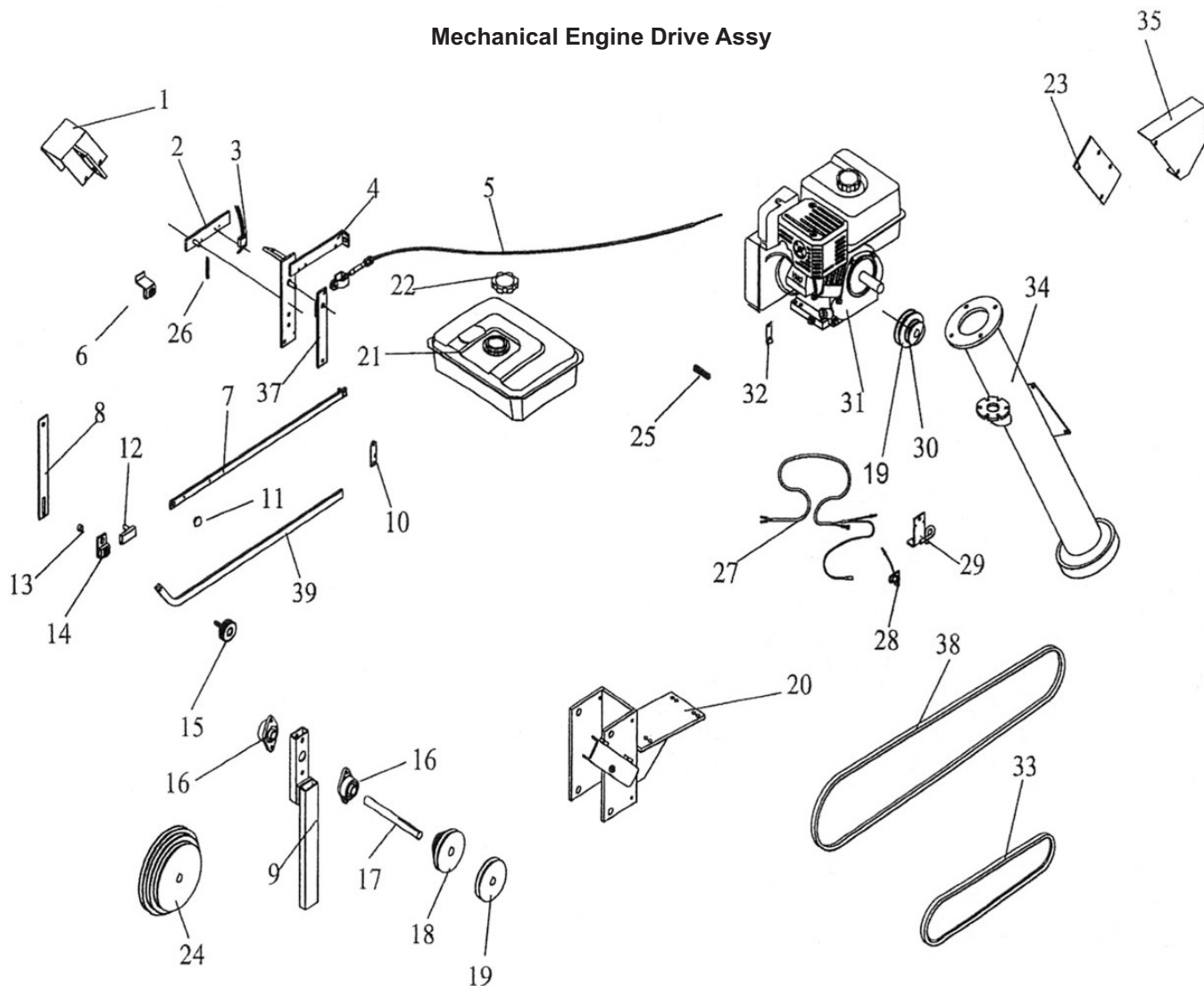
### Sprinkler Cart Assembly For 30A & 33A



21A	22702560	TIRE,6.70X15 4 PLY	2
21B	22702561	TUBE,INNER 5:90 & 6.70X15	2
22	22709360	CAP,HUB	2
23	55209440	NUT,SLOTTED NF 5/8	2
24	55306280	BUSH,MACH 1-1/2X1X18GA	2
25	51509420	BEARING,TIMKEN LM11949	2
26	51009410	RACE,OUTER LM11910	2
27	58900630	Bolt, Wilton 9435491	8
28	58900650	HUB,WITH CUPS ONLY W633	2
29	51009400	RACE,LM67010	2
30	51509390	BEARING,TIMKEN LM67048	2
31	58900660	SEAL,CR14975	2
32	58803565	SEAL,CR12437	2
33	55116020	NUT,SLOTTED NF 1"	1
34	58803577	Washer Wilton 913535	2
35	58803563	BEARING,TIMKEN L44643	2
36	58803560	BOLT,LUG WILT 913535	4

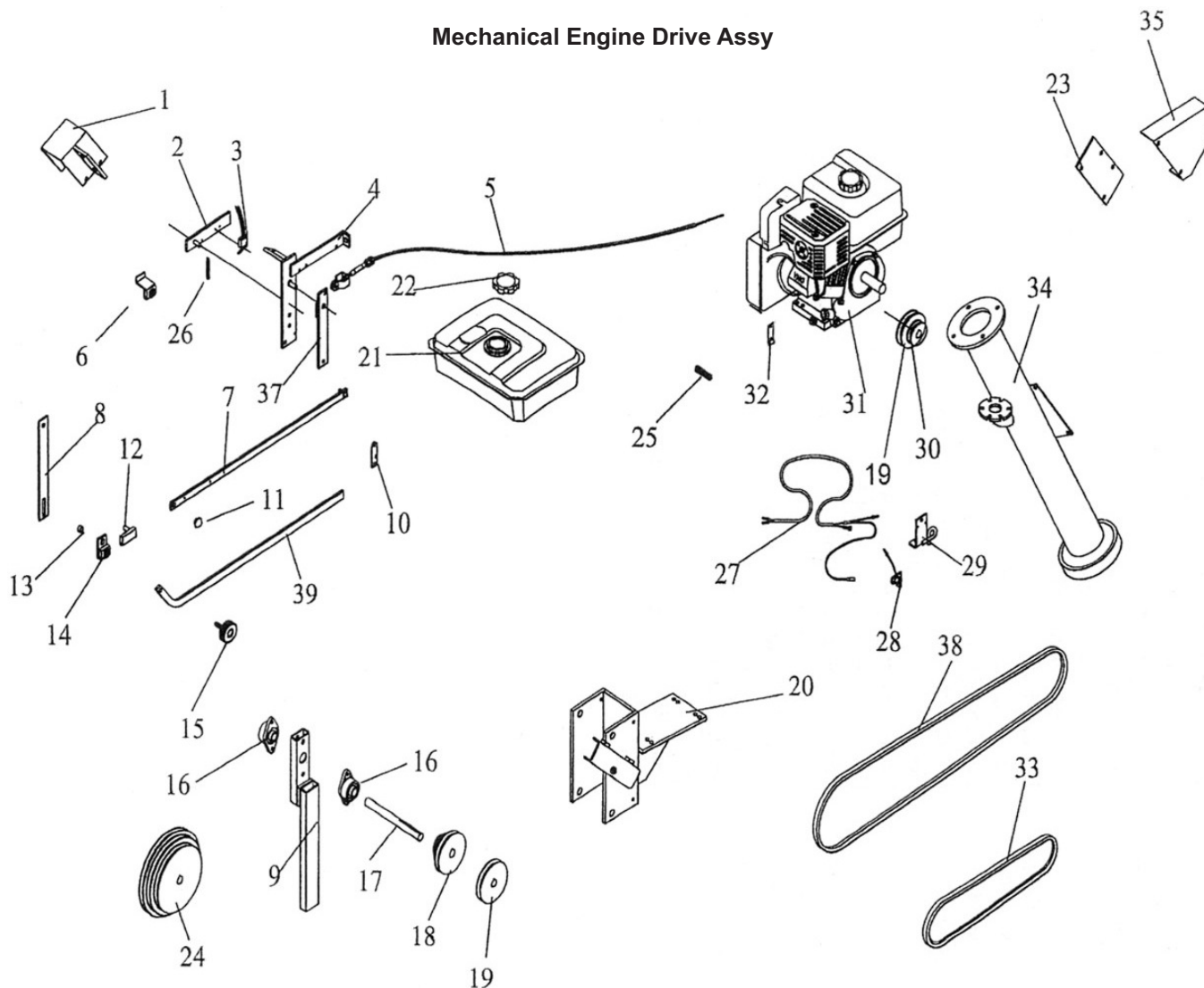


### Mechanical Engine Drive Assy



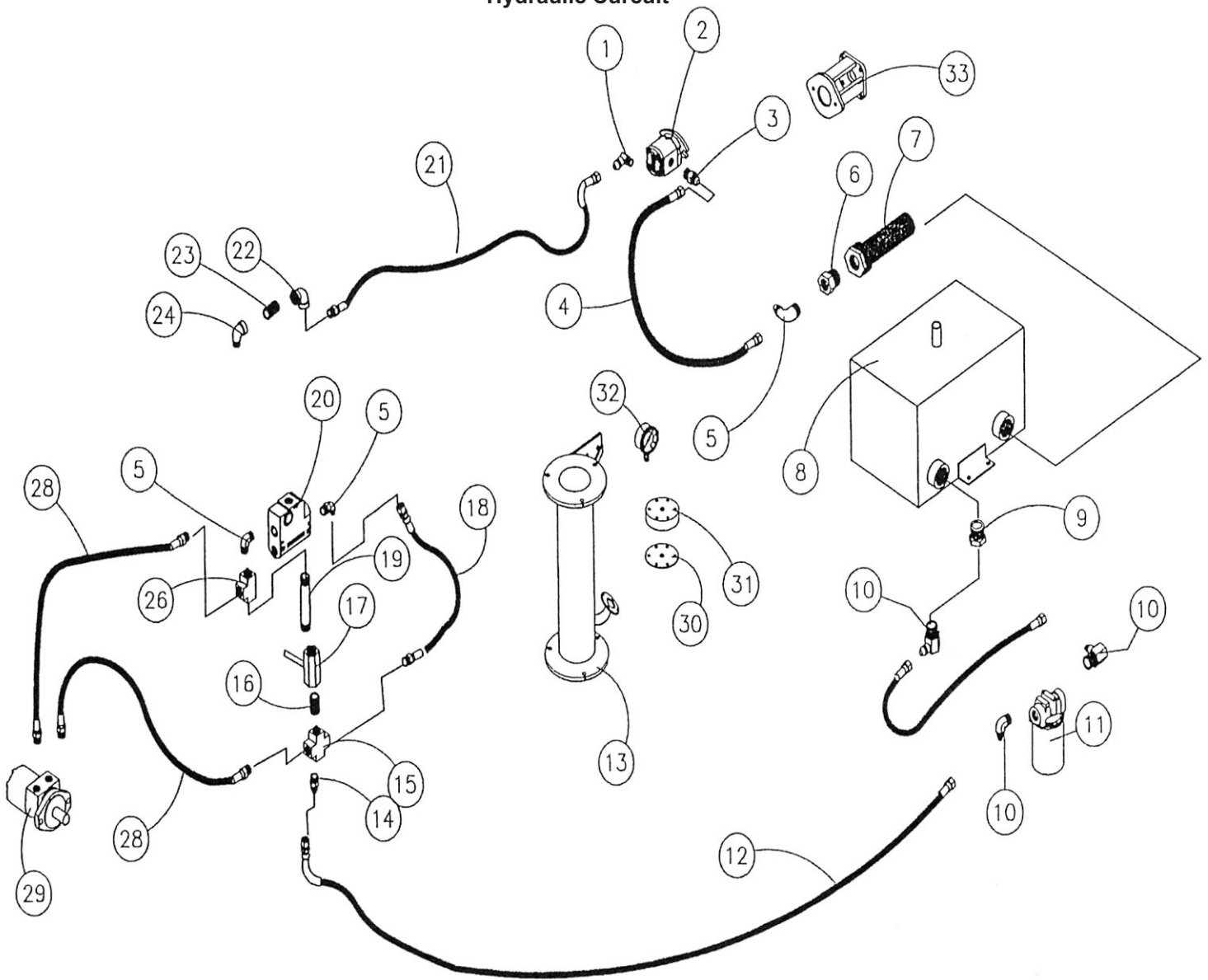
No.	Part Number	Description	Qty.
1	59901940	THROTTLE MT	1
2	59900410	SWITCH ARM	1
3	58600750	SWITCH CHERRY E/72-40H	1
4	59900390	THROTTLE BRKT.	1
5	59901320	THROTTLE CONTROL CABLE	1
6	59900430	RAMP,SWITCH	1
7	59900280	LINK,THROTTLE	1
8	59900261	BACKING PLATE D2	1
9	59902530	MT. JACKSHAFT	1
10	59900660	THROTTLE CABLE MT.	1
11	30249150	KNOB,BALL 3/8-16 FEMALE THREADS	1
12	59900420	SLIDE,SWITCH ROD	1
13	51248470	BUSH,STL .56X.40X.28L	1
14	59900270	SWIVEL	1
15	50100050	KNOB, STAR 3/8-16 X 1" MALE	1
16	59903380	BEARING,2 HOLE 3/4B CAST	2
17	59902770	JACKSHAFT ENGINE A SERIES	1
18	59900840	PLY 2-3-4 .75 BORE	1
19	59903410	PULLEY 3" X 3/4 BORE	2
20	59902552	ENGINE MT. 30	1
21		NO LONGER AVAILABLE	

# Mechanical Engine Drive Assy



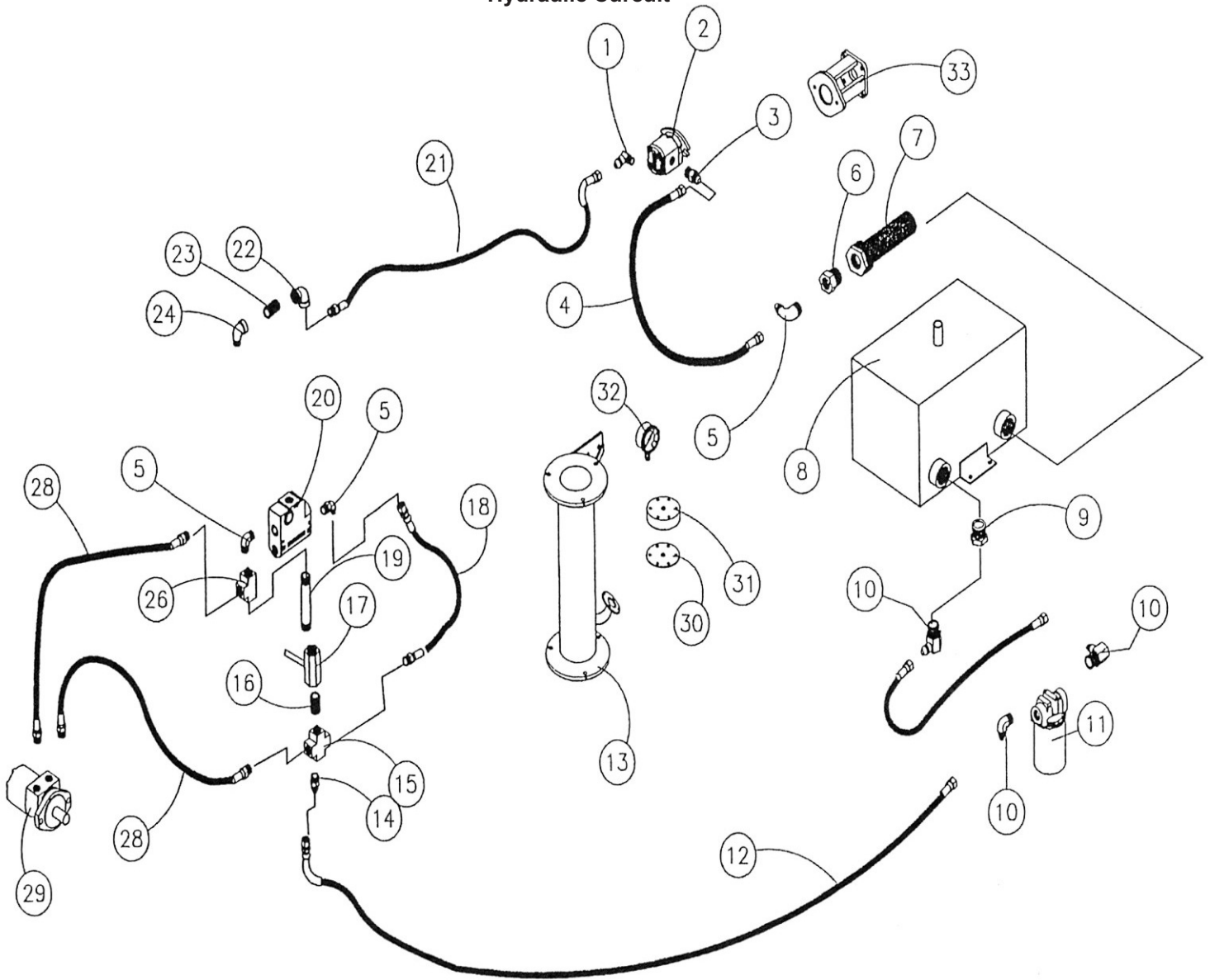
22	59902210	FUEL TANK CAP	1
23	59902971	PLATE,30	1
24	02205930	PLLY,3 STEP 100,125,147 W/SETSCRW	1
25	45048582	SPRING .5 ODX2 X.047W	1
26	59904220	SPRING,.045W X.3800 X2.50	1
27	59903240	WIRE HARNESS A SERIES 340	1
28	59902790	SWITCH,ROBIN SHUT OFF	1
29	59903440	SWITCH HOLDER	1
30A	59902930	PLLY, 2" X 3/4 BORE STEEL NO HUB	1
31A	59801411	ENGINE, 4HP ROBIN KEYED SH	1
31B	58407017	ENGINE,HONDA 4HP KEYED SH	1
32	59902650	SPRING HOLDER	1
33	02203220	BELT AX 36	1
34A	59900751	ENTRY FITTING A1/D2 ENGINE (30A)	1
34B	59900752	ENTRY FITTING D2,E33A	1
35	59903230	SHIELD	1
37	59900350	THROTTLE PIVOT ARM	1
38	59903430	BELT AX 42 (NOTCHED)	1
39	59900340	LINK,SHUT OFF	1

## Hydraulic Circuit



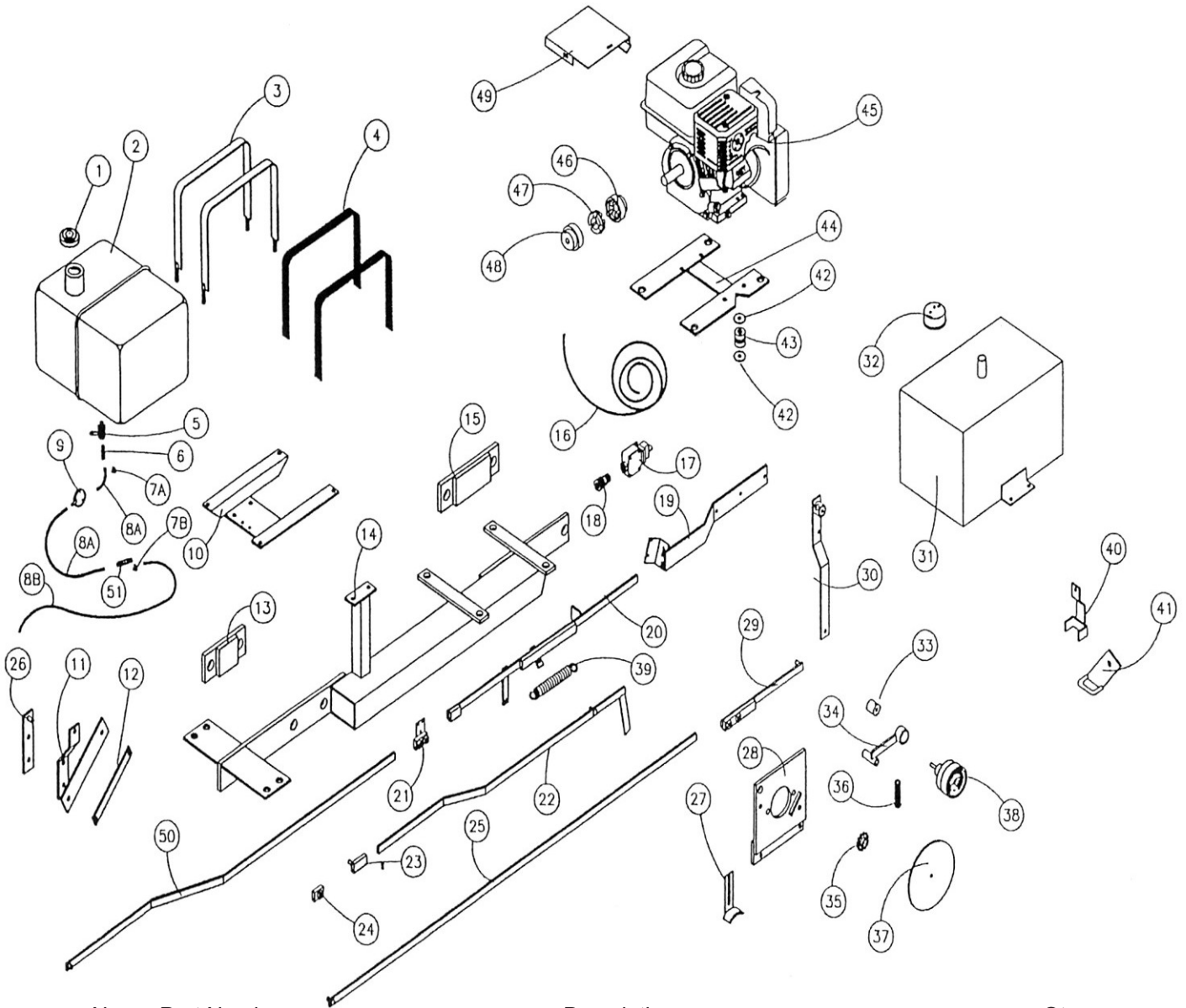
No.	Part Number	Description	Qty.
1	59502020	ADPTR,6MJICX6MSAEX90DEG	3
2	59501270	PUMP,HYDRAULIC 4	1
3	59502010	ADPTR,8MJICX8MSAE	1
4	59702690	HOSE,8FJICX1/2"MNPTX 16"	1
5	59501220	ADPTR,8MJICX1/2MNPTX90DEG	2
6	52549425	BUSH,REDUCING,BLACK 1-1/4X1/2"	1
7	59500800	FILTER HYD. OIL	1
8	58600481	TANK,OIL 7 GAL	1
9	52501610	BSHNG,RDCNG STEEL (PLTD) 1X3/4	1
10	59502040	ADPTR,8MJICX3/4MNPTX90DEG	3
11A	59501060	HEAD,OIL FILTER	1
11B	59501070	FILTER,SPIN HYD OIL	1
12	59702680	HOSE,8FJICX8FJIC90DEG105"	1
13A	59701751	FLOW CONTROL MT 4 IN.	1
13B	59701752	FLOW CONTROL MT.	1
14	59501210	ADPTR,8MJICX1/2MNPT	1
15	59702260	CROSS W/BOLT	1
16	52513934	NPPL,CLOSE BLK 1/2"	1
17	59702140	VALVE 1/2"1/4 TURN HIGH P	1

## Hydraulic Curcuit



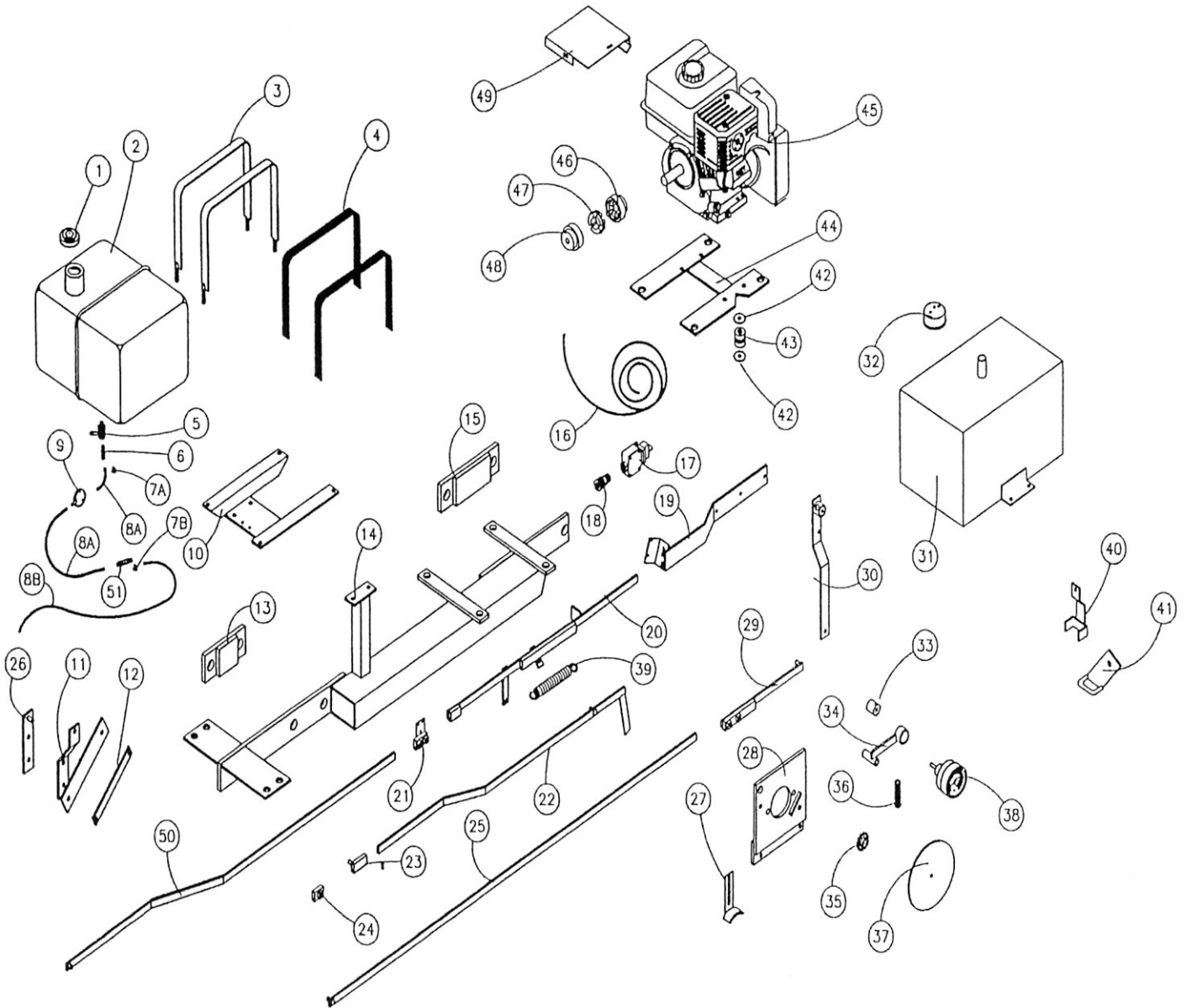
18	59702690	HOSE,8FJICX1/2"MNPTX 16"	1
19	59702760	NPPL,1/2"X 6.0 BLACK	1
20	59501290	CONTROL,FLOW 4GPM	1
21	59702710	HOSE,8FJIC90X1/2MNPTSW116	1
22	52510731	ELBW,1/2 BLACK NPT	1
23	52513934	NPPL,CLOSE BLK 1/2"	1
24	52513440	ELBW,STRT BIP 1/2X90DEG	1
26	59702320	TEE,1/2 FNPT HYD. STEEL	1
27	59501150	ADPTR,1/2MNPTX1/2MNPTX90	1
28	59702700	HOSE,10FJIC X 1/2MNPTX33"	2
29	59500984	MOTOR HYD MK 12	1
30	58700460	DIAPHRAGM,GAUGE PROTECTOR	1
31	58906901	Body Gauge Proector	1
32	58606750	GAUGE, PRESS 0-300	1
33	59501320	ADPTR,FLANGE,PUMP-ENG4&5.5	1

## Engine Drive Assembly



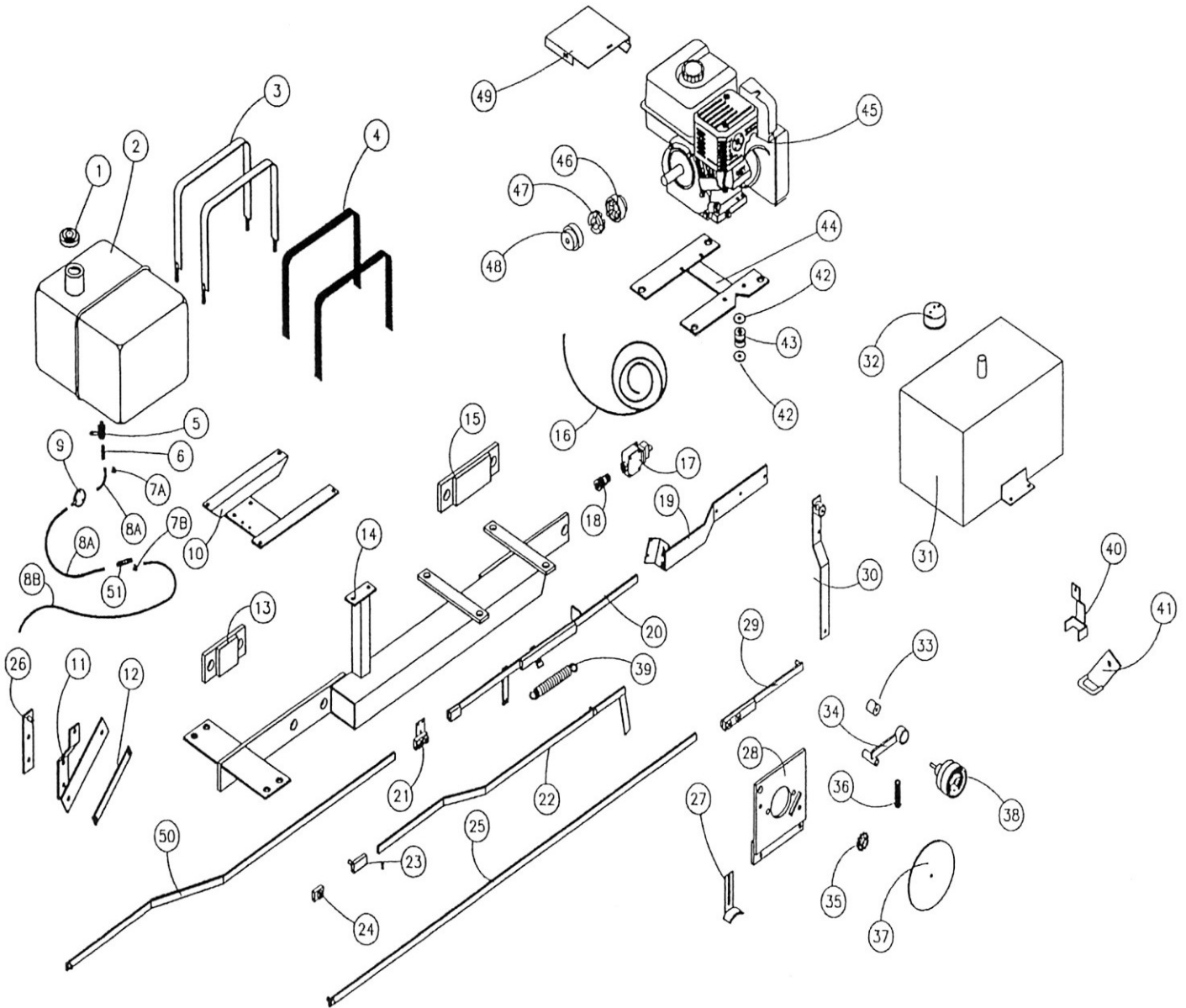
No.	Part Number	Description	Qty.
1	58406939	CAP,TANK-5.3 GAL GAS	1
2	58406930	TANK,FUEL&CAP 5.3GAL	1
3	58406210	STRAP, GAS TANK	2
4	58701670	BELTING,NEOP 5 PLY 1 IN	ft.
5	59603720	VALVE 1/4 TURN 1/8FNPT X 1/8MNPT	1
6	52548760	BARB,HOSE BR 1/8 NPT X 1/4	2
7A	06012110	CLAMP,SPRING .42 ID	2
7B	59603460	CLAMP,SPRING .360 ODX.31	1
8A	58406951	HOSE,GAS 1/4X27/64	ft. 1
8B	58406950	HOSE,GAS 3/16X23/64	ft. 7
9	59600580	FILTER,FUEL 1/4"	1
10	59701580	MT. TANK	1
11	59703731	COMP.BRKT 30	1
12	59703740	ARM,SPEED CONTROL	1
13	59701461	CLAMP,PLATE	1
14	59701512	HYD.MT. D2 & A1	1
15	59701521	CLAMP,PLATE	1
16	58406700	WIRE,ELECT.3 WIRE 14 GA	ft. 10.6
17	52662151	SWITCH 6 X 613	1
18	52662170	GROMMET,CMRPN 1/2 NPT	1
19	59701871	SWITCH MT. 30	1
20	59701890	SHUT OFF BAR	1

## Engine Drive Assembly



21	59703320	VALVE MT. TUBE & STOP	1
22	59701881	LINK VALVE SHUT OFF	1
23	59701960	Slide	1
24	59404480	SLIDE	1
25	59701902	LINK COMP.	1
26	59702780	BACKING PLATE 30	1
27	59602800	PIN	1
28	59505053	MT.,HYD MOTOR FG1,& D2	1
29	59701950	SLIDE ADJ.	1
30	59701791	ARM,30	1
31	58600481	TANK,OIL 7 GAL	1
32	59501240	CAP,TANK-OIL	1
33	59602770	TACH PULLEY A1 & D2	1
34	59601670	TACH MT.	1
35	88003710	SPRKT,50B12 1 BORE	1
36	45035360	SPRING TNSN 1 X 6 PLATED	1
37	59602761	TACH PULLEY WITH TIRE	1
38	02201200	TACHOMETER ASM,0-400 FT/HR A SERIES	1
39	59300170	SPRING,TENSION 3/8OD .049WR X 2IN	1
40	59702090	HOSE RETAINER	1
41	59701930	HOSE LOOP	1

## Engine Drive Assembly



42	59404261	WASHER,SNUBBING.09X.4X1.6	8
43	59404260	DAMPENER,MOTOR MT.	4
	52656700	KNOB, STAR 3/8-16 X 1" MALE	1
44	59505550	PLATE 4HP	1
45	58407017	ENGINE,HONDA 4HP KEYED SH	1
46	59501300	CPLNG,HALF ENG 3/4" BORE	1
47	59501030	CPLNG,RUBBER 25 THROUGH40	1
48	59501310	CPLNG,HALF PUMP 1/2" BORE	1
49	59701663	ENGINE COVER HONDA 4.0	1
50	59701842	LINK	1
51	59203221	BARB,RDCNG HOSE 1/4X3/16	1